

WATER PUMP

WT20XK1
WT20XK2
WT20XK3
WT30XK1
WT30XK2
WT30XK3

PARTS CATALOGUE

5



WT20XK1



WT30XK1



WT20XK2



WT30XK2

FOREWORD INDEX

1

ENGINE GROUP

2

FRAME GROUP

3

PART NUMBER INDEX

4

PART NAME INDEX

5



WT20XK3



WT30XK3

Instruction for use of parts catalogue

- **This parts catalogue was prepared based on the latest information available as of May 01, 2002.**
- See the parts catalogue news for any revision that is made after May 01, 2002.
- **Always specify the part number when ordering a part.**
- Check the model, type, serial numbers, color, maker, and the size as needed before ordering a part.
- Note that the illustrations (part drawings) can differ from the actual parts in shape. They are given just to help you to refer to the parts.
- **When modifications or additions to this parts catalogue are made, a revised edition will be issued at an appropriate time, with successively progressing revision numbers on the cover. We recommend obtaining such revisions in order to keep your parts catalogue up-to-date at all times. To check whether a parts catalogue revision has been issued, please contact your Honda distributor.**

Initial version issue date **November 10, 1986**
Honda Motor Co., Ltd.

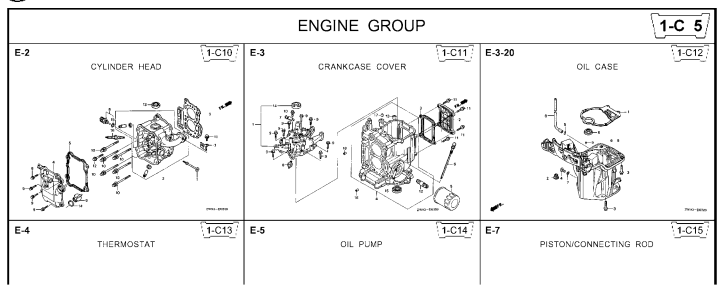
CONTENTS

	Page	Address No.	
● How to refer to the part information	2	B 2	1
● Part catalogue structure	3	B 3	
● When the parts were revised	4	B 4	
● Abbreviations used in the parts catalogue.....	4	B 4	
● How to check the part block and serial numbers.....	5	B 5	
● Models, parts catalogue codes and applicable serial numbers	6	B 6	
● Features of each type.....	8	B 8	
● Fuel hose, general purpose hoses and vinyl hose.....	9	B 9	
● How to use the flat rate time (F.R.T.)	10	B10	
● Illustrated index	12	B12	
● ENGINE GROUP.....	16	C 1	2
● FRAME GROUP.....	65	G 1	3
● PART NO. INDEX.....	73	H 1	4
● PART NAME INDEX.....	77	I 1	5



How to refer to the part information

A Reference with "Illustrated index"



B Reference with "Part number index"

PART NO. INDEX

Part Number	Address	Page	Ref.	Part Number	Address	Page
06000				15212-ZW9-000	1-C14	3C
06316-ZW9-000	1-G9	88	1	15220-ZW9-003	1-C14	3C
11000				15332-ZW9-000	1-E8	55
11300-ZW9-405	1-C11	27	1	15332-ZW9-A30	1-E11	5E
11300-ZW9-406	1-C11	27	1	15400-PFB-004	1-C11	27
11340-ZW9-000	1-C11	27	2	15422-ZW9-000	1-C14	3C
11342-ZW9-000	1-C11	27	3	15473-881-000	1-C14	3C
11381-ZW9-003	1-C12	28	1	15474-ZW9-000	1-C14	3C
				15611-921-000	1-C10	2E
				15655-ZW9-000	1-C11	27
				16000		
12000				16010-ZV4-005	1-D4	3E
12000-ZW9-405ZA	1-C11	27	4	16011-ZV4-005	1-D4	3E
12155-ZV4-A00	1-C13	29	1	16013-ZW9-003	1-D4	3E
12166-ZW9-000	1-C10	26	1	16016-ZW9-003	1-D4	3E
12209-GB4-681	1-C16	32	1	16016-ZW9-721	1-D4	3E
12210-ZW9-405ZA	1-C10	26	2	16023-ZW9-003	1-D4	3E
12216-ZE2-300	1-E8	55	1	16024-ZV4-650	1-D4	3E
	1-E11	58	1	16028-ZV4-650	1-D4	3E

C Reference with "Part name index"

PART NAME INDEX

Part name	Address	Page	Ref.
[A]			
ABSORBER, FUEL	1-E15	62	5
ARMATURE COMP.	1-D11	43	7
ARM COMP., LINK JOINT	1-G6	85	18
ARM COMP., SHIFT LINK	1-G6	85	14
ARM COMP., TILT	1-F15	79	20
ARM, FUEL PUMP ROCKER	1-C16	32	4
ARM, REVERSE LOCK	1-F15	79	18
ARM, SHIFT LINK	1-F11	74	7
ARM, STOPPER	1-D1	33	12
ARM, THROTTLE REMOTE	1-F11	74	6
ARM, VALVE ROCKER	1-C16	32	3
[B]			
BAG, TOOL, 160MM	1-G5	84	10
BAND	1-G6	86	37
BAND B1, WIRE	1-F6	69	1
BAND, CORD	1-F3	67	18
BAND, TUBE CLIP, 11MM	1-E15	63	20
BAND, TUBE CLIP, 12.5MM	1-E15	63	19

Address No. 1-C10

Block No. E-2 CYLINDER HEAD

Ref No.

Ref. No.	Part No.	Description	Reqd. QTY						Serial No.	Parts catalogue code
			9901	9901	1001	1001	1001	1001		
1	12166-ZW9-000	STOPPER, ENGINE SIDE	2	2	2	2	2			
2	12210-ZW9-000ZA	HEAD COMP., CYLINDER	1	1	1	1	1			
3	12251-ZW9-003	GASKET, CYLINDER HEAD	1	1	1	1	1			
4	12310-ZW9-000	COVER COMP., HEAD	1	1	1	1	1			
5	12312-ZW9-000	PACKINGS, HEAD COVER	1	1	1	1	1			
6	15611-921-000	CAP, OIL (NO GAUGE)	1	1	1	1	1			
7	16617-ZW9-000	HOLDER, CABLE	1	1	1	1	1	SC,SG		
	16617-ZW9-010		1	1	1	1	1	1001801	1001800 LHC,LHD	
8	35673-ZW5-003	SENSOR ASSY., WATER	1	1	1	1	1			
9	90003-ZW9-000	BOLT, FLANGE, 6X22	4	4	4	4	4			
10	90007-ZW9-003	BOLT, FLANGE, 8X83	6	6	6	6	6			
11	90011-ZW9-000	BOLT, FLANGE, 6X14(CT200)	1	1	1	1	1			
12	90020-ZW9-000	BOLT, FLANGE, 8X40	2	2	2	2	2			
13	91002-K19-003	OIL SEAL, 20X32X6	1	1	1	1	1			
14	91301-805-000	O-RING, 26X2.7	1	1	1	1	1			
15	91307-PK2-005	O-RING, 9.5X1.5(HONDA KIKAKI)	1	1	1	1	1			
16	98059-55916	PLUG, SPARK (CR5EH-9)	2	2	2	2	2			
	98059-55926	PLUG, SPARK (U16FER9)	2	2	2	2	2			

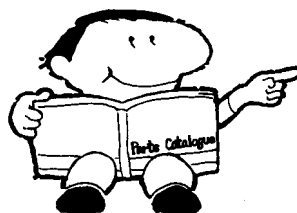
Service item F.R.T.

O-RING, 26X2.7	0.1
PLUG, SPARK	0.2
O-RING, 9.5X1.5	0.2
SENSOR ASSY., WATER	0.3
COVER COMP., HEAD	0.3
PACKING, HEAD COVER	1.8
GASKET, CYLINDER HEAD	2.4
OIL SEAL, 20X32X6	2.4
HEAD COMP., CYLINDER	3.1

2000.09.20 E

Page No.

Part catalogue structure



3 **E-2** **2** **4** **1**

CYLINDER HEAD **1-C10**

Service item	F.R.T.
O-RING, 26X2.7	0.1
PLUG, SPARK	0.2
O-RING, 9.5X1.5	0.2
SENSOR ASSY., WATER TEMPERATURE	0.3
COVER COMP., HEAD	1.8
PACKING, HEAD COVER	2.4
GASKET, CYLINDER HEAD	3.1
OIL SEAL, 20X32X6	
HEAD COMP., CYLINDER	

Ref. No.	Part No.	Description	Reqd. QTY						Serial No.	Parts catalogue code
			BF 9.9D1	BFP 9.9D1	BF 10D1	BFP 10D1	BF 10B1	BFP 10B1		
1	12166-ZW9-000	STOPPER, ENGINE SIDE	2	2	2	2	2	2		
2	12210-ZW9-000ZA	HEAD COMP., CYLINDER								

5 **6** **7** **8** **9** **10** **11** **12** **13** **14**

Ref. No.	Part No.	Description	Reqd. QTY						Serial No.	Parts catalogue code
			BF 9.9D1	BFP 9.9D1	BF 10D1	BFP 10D1	BF 10B1	BFP 10B1		
1	12166-ZW9-000	STOPPER, ENGINE SIDE	2	2	2	2	2	2		
2	12210-ZW9-000ZA	HEAD COMP., CYLINDER								
3	12251-ZW9-003	GASKET, CYLINDER HEAD	1	1	1	1	1	1		
4	12310-ZW9-000	COVER COMP., HEAD	1	1	1	1	1	1		
5	12312-ZW9-000	PACKING, HEAD COVER	1	1	1	1	1	1		
6	15611-921-000	CAP, OIL (NO GAUGE)	1	1	1	1	1	1		
7	16617-ZW9-000	HOLDER, CABLE	1	1	1	1	1	1	SC,S6	
	16617-ZW9-010		1	1	1	1	1	1	1001800 LHC,LHD	

1 Address number

• Address No. is provided (in place of the page No.) to help you refer to the part with the part No. or part name.

2 Block title

3 Block number

4 Service item/Flat rate time

5 Reference number

• Title number marked with the parenthesis or parentheses indicates that it continues from the previous page.

6 Part number

7 Honda color code

8 Description

9 Assemblies

• Sections framed with broken lines in the exploded view drawings are available as complete assemblies. (Their individual parts can also be obtained.)

10 Color description

11 Note

• Notes are shown with the parentheses in the part name column.

12 Required quantity

• Required QTY shown in the parenthesis or parentheses indicates the optional part.
 • Required QTY marked with "N" Indicates the optional part that should be selected as needed.
 • Required QTY indicates the number of the part used in the block.

13 Serial number

14 Type

• When the type column is blank, it indicates that the part is applicable to all types.

• As the type of the actual unit may differ from the "parts catalogue, type" please refer to "Models, types and applicable serial numbers" for confirmation.

When the parts were revised

Abbreviations used in the parts catalogue

1



Be sure to check the serial number!!



Ref. No.	Part No.	Description	Reqd. QTY						Serial No.
			BF 99D1	BFP 99D1	BF 10D1	BFP 10D1	BF 10B1	BFP 10B1	
1	12166-ZW9-000	STOPPER, ENGINE SIDE	2	2	2	2	2	2	
2	12210-ZW9-000ZA	HEAD COMP., CYLINDER *NH8*.....DARK GRAY	1	1	1	1	1	1	
3	12251-ZW9-003	GASKET, CYLINDER HEAD	1	1	1	1	1	1	
4	12310-ZW9-000	COVER COMP., HEAD	1	1	1	1	1	1	
5	12312-ZW9-000	PACKING, HEAD COVER	1	1	1	1	1	1	
6	15611-921-000	CAP, OIL (NO GAUGE)	1	1	1	1	1	1	
7	16617-ZW9-000	HOLDER, CABLE	1	1	1	1	1	1	
	16617-ZW9-010	1	1	1	1	1	1	

The number has been used from the initial model without revision.

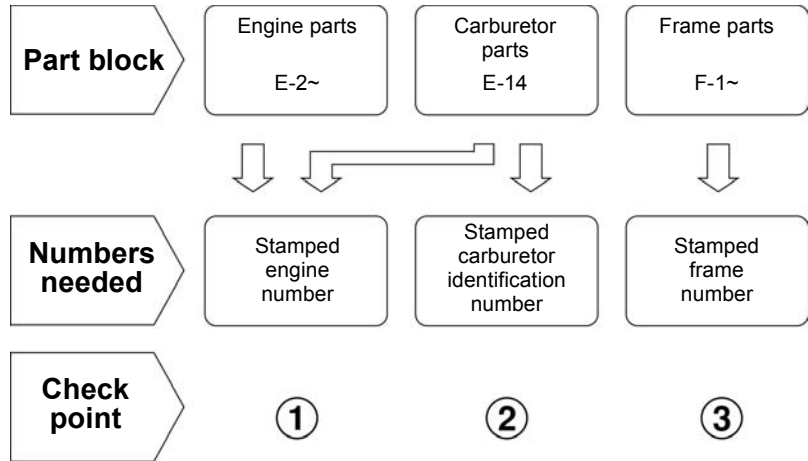
When shown at the left side, it is applicable to the models of No.1001801 and the subsequent numbers.

When shown at the right side, it is applicable to the models up to No.1001800.

• The following abbreviations are used in the parts name column.

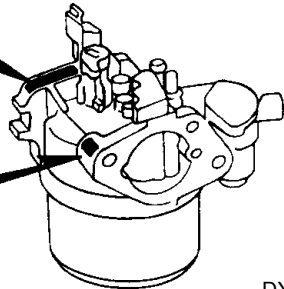
- | | |
|--|-----------------------------|
| A Ampere | FR.Front |
| A.C. Alternating current | IN.Inlet |
| ASSY. Assembly | L (100L) .Link (100 Links) |
| AT. Automatic transmission | L.Left |
| C.D.I. Capacitive discharge ignition | MMMillimeter |
| COMP. ... Complete | MT.Manual Transmission |
| D.C. Direct current | P.T.O.Power take off |
| EX. Exhaust | R.Right |
| G.F.C.I ... Ground fault circuit interruptor | RR.Rear |
| HEX. Hexagonal | STD.Standard |
| H.S.T. Hydrostatic transmission | T (22T) ...Tooth (22 Teeth) |
| | V Volt |
| | WWatt |

How to check the part block and serial numbers



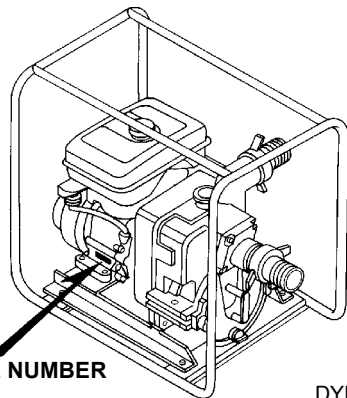
②-B
CARBURETOR
IDENTIFICATION NUMBER

②-A
CARBURETOR
IDENTIFICATION NUMBER



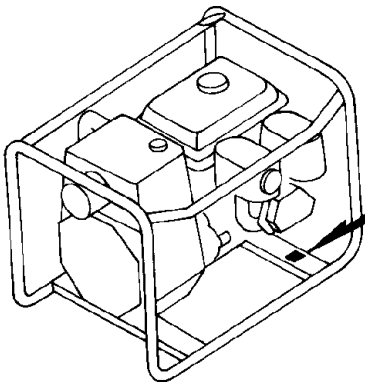
DYB8-E

①
TYPE
ENGINE SERIAL NUMBER



DYB8-A

③
FRAME SERIAL NUMBER



DYB8-B

Models, parts catalogue codes and applicable serial numbers

1

- Models, parts catalogue codes and applicable serial Nos. given in this parts catalogue can be identified as follows.

Model	Type	Parts catalogue type	Engine		Applicable engine serial No.	Applicable frame serial No.	Applicable carburetor identification No.
			Model	Type			
WT20XK1	C	C	GX140	WY1	GX140-1000001~3263982	WAE-1000001~1999999	BE05A D / E
	D	D					
WT20XK2	C	C	GX160K1	WY1	GC02-2000001~	/	BE06H A / B / C BE66D B
	D	D					
	DE	DE		WY14			BE06H B / C BE66D B
	UD	UD		WY1			BE06H C BE66D B
WT20XK3	C	C	GX160K1	AD4	GC02-6100001~	WAAJ-1000001~	BE66D B
	D	D		AD6			
	DE	DE		AD4			
	UD	UD					
WT30XK1	C	C	GX240	WY1	GC04-1000001~1528199	WAF-1000001~1999999	BE15B D / E
	D	D					

Model	Type	Parts catalogue type	Engine		Applicable engine serial No.	Applicable frame serial No.	Applicable carburetor identification No.
			Model	Type			
WT30XK2	C	C	GX240K1	WY1	GC04-300001~	/	BE15G A/B
	D	D		WY14			
	DE	DE		WY1			
	UD	UD		WY1			
WT30XK3	C	C		WY4	GC04-300001~4399999	WABJ-100001~1099999	BE15G B
		C/A			GC04-440001~	WABJ-110001~	
	D	D			GC04-300001~4399999	WABJ-100001~1099999	
		D/A			GC04-440001~	WABJ-110001~	
	DE	DE			GC04-300001~4399999	WABJ-100001~1099999	
		DE/A			GC04-440001~	WABJ-110001~	
	UD	UD			GC04-300001~4399999	WABJ-100001~1099999	
		UD/A			GC04-440001~	WABJ-110001~	

* Of carburetor identification numbers, only the portions underlined in the example below are used for registration.

BE 05A D KC ナ
 (A) (B)



Features of each type

1

- See the following table for the features of each type.

Specifications		Model	WT20XK1				WT20XK2				WT20XK3				WT30XK1	
		Type	C	D	C	D	DE	UD	C	D	DE	UD	C	D		
Fuel tank	3.6 Liter		●	●	●	●	●	●	●	●	●	●				
	6 Liter												●	●		
Hose coupling			●	●	●	●	●	●	●	●	●	●				

Specifications		Model	WT30XK2				WT30XK3							
		Type	C	D	DE	UD	C	C/A	D	D/A	DE	DE/A	UD	UD/A
Fuel tank	3.6 Liter													
	6 Liter		●	●	●	●	●	●	●	●	●	●	●	●
Hose coupling														

Fuel hose, general purpose hoses and vinyl hose

- The standard part fuel hose, general purpose hose and vinyl hose may be substituted by the coiled bulk part.
- When ordering the standard part fuel hose, general purpose hose and vinyl hose use the bulk part number written in the parts catalog in brackets () underneath the part name.
- When exchanging the hose, cut and use at the specified length as mentioned in the part name.
(For the method of cutting the bulk part, and method of filling out orders etc., please refer to the instructions issued with the bulk part.)

Bulk part number of fuel hose, general purpose hose and vinyl hose.

Example: 9 5 0 0 1 - 7 5 0 0 1 - 5 0 M

Bulk part number:
Refers to the bulk part.

Marking code (fuel hose and general purpose hose)

Change code (Vinyl hose)

Indicates number mark or change sequence, however, the code for the bulk part must be strictly 0 (zero).

Types of code:

- | | | | | | |
|-------------|--|----------------|--|--------------|---|
| • Fuel hose | 2: Red outside braid
(3 mm inside dia. only) | • General hose | 1: Ash gray
2: Ash gray
3: Black
5: Black | • Vinyl hose | 1: Clear
2: Black
3: Light red
6: Light red
7: Pale black |
| | 5: Black inside braid | | | | |
| | 3: Red (3 mm inside dia. only) | | | | |
| | 4: Ash gray with red stripe
(3 mm inside dia. only) | | | | |
| | 6: Black | | | | |

Lengths:

- 001: 1 m (standard)
003: 3 m
008: 8 m } Application or specification of some parts is not settled.

I.D code: (fuel hose and general purpose hose)

- | | | | | |
|------------|--------------------|--------------------|-----------------------------|-----------------------------|
| 30: 3.0 mm | 50: 5.0 mm | 70: 7.0 mm | 11: 11 mm | 12: 12 (outside dia. 17) mm |
| 35: 3.5 mm | 55: 5.3 mm, 5.5 mm | 75: 7.3 mm, 7.5 mm | 91: 12 (outside dia. 15) mm | 14: 14 mm |
| 45: 4.5 mm | 65: 6.5 mm | 80: 8.0 mm | 92: 12 (outside dia. 16) mm | 17: 17 mm |

ID./OD. code: (vinyl hose)

- | | | | | |
|-------------------------|--------------------------|---------------------------|---------------------------|---------------------------|
| 01: ID. 2.9, OD. 6.8 mm | 12: ID. 5.0, OD. 7.0 mm | 21: ID. 8.0, OD. 9.0 mm | 37: ID. 11.0, OD. 15.0 mm | 50: ID. 16.0, OD. 19.0 mm |
| 03: ID. 3.0, OD. 6.0 mm | 10: ID. 5.0, OD. 8.0 mm | 23: ID. 8.0, OD. 12.0 mm | 38: ID. 12.0, OD. 13.0 mm | 55: ID. 17.5, OD. 20.5 mm |
| 05: ID. 3.5, OD. 6.5 mm | 11: ID. 5.0, OD. 9.0 mm | 25: ID. 9.0, OD. 11.0 mm | 39: ID. 12.0, OD. 14.0 mm | 60: ID. 22.0, OD. 27.0 mm |
| 07: ID. 4.0, OD. 7.0 mm | 14: ID. 6.0, OD. 9.0 mm | 27: ID. 9.0, OD. 13.0 mm | 40: ID. 12.0, OD. 16.0 mm | |
| 08: ID. 4.5, OD. 6.5 mm | 17: ID. 7.0, OD. 9.0 mm | 33: ID. 10.0, OD. 14.0 mm | 43: ID. 13.0, OD. 15.0 mm | |
| 09: ID. 4.5, OD. 8.0 mm | 19: ID. 7.0, OD. 11.0 mm | 36: ID. 11.0, OD. 13.0 mm | 45: ID. 14.0, OD. 18.0 mm | |

Hose type:

- 1: Fuel hose
3: Vinyl hose
5: General hose

⊙ **CAUTION: It is DANGEROUS to confuse the fuel hose with the general purpose hose or vinyl hose.**

Never use a general purpose hose or vinyl hose in place of a fuel hose or vice versa. Always use the correct bulk part in the parts catalogue, according to the service manual or the instructions issued with the bulk part.

How to use the flat rate time (F.R.T.)

This F.R.T. (Flat Rate Time) is used to determine the standard labor time allowed for replacement of parts covered by the warranty during the period the warranty is in effect. The F.R.T. for those parts which are not listed herein should be determined from the operation closely related to the replacement of that part.

1. The F.R.T. is based on the following servicing conditions

- a. A liberal allowance is added to the net servicing time.
- b. Standard times specified are based on the condition that the necessary servicing tools listed in the service manual which describes the Honda service policy are available close at hand and the work performed by a mechanic with normal skill.
- c. Time required for inspection and operational test following the servicing is included in the F.R.T.
- d. The F.R.T. for "*" marked parts are same as the F.R.T. for the representative part above.
- e. The F.R.T. shown with (*) includes engine removal and installation.

2. Method of computing

The job times are listed in tenth of an hour to simplify computation.

(Example) 0.3 = 18 minutes
5.6 = 5 hours and 36 minutes

CONVERSION CHART			
Hours	Minutes	Hours	Minutes
0.1	6	0.6	36
0.2	12	0.7	42
0.3	18	0.8	48
0.4	24	0.9	54
0.5	30	1.0	60

3. Computing the F.R.T.

The following are only examples and do not reflect the actual F.R.T. for this product.

When several jobs are performed at the same time, make the calculation in the following manner.

a. Jobs of non duplicated nature

The F.R.T. for the job is obtained by totalling the F.R.T. for each part replaced.

(Example) Replacement of head cover gasket and oil filter.

Service item	F.R.T.
Packing, cylinder head cover	0.5
Cartridge, oil filter	0.5

The F.R.T. for the job is: 0.5 + 0.5 = 1.0

b. Jobs of duplicated nature

Take the F.R.T. for the last part to be replaced.

(Example) Replacement of piston and cylinder head gasket.

Service item	F.R.T.
Gasket comp., cylinder head	3.0
Piston	*5.0

The F.R.T. for the job is: 5.0

c. Jobs of partially related nature

Total up the F.R.T. for all of the parts replaced and then subtract the F.R.T. for the duplicated operation (i.e., cylinder head gasket service).

(Example) Replacement of valve and cylinder head.

Service item	F.R.T.
Valve	*3.0
Head assy., cylinder	*4.0
Gasket comp., cylinder head	*2.5

The F.R.T. for the job is: (3.0 + 4.0) - 2.5 = 4.5

- The F.R.T. shown with (*) includes engine removal and installation.
- The parts, having the same number of man-hour, are identified by a mark “*”, and classified under the title of their representative work.

4. Adjustment, cleaning, removal and installation

Item	Service item	F.R.T.
Adjustment	Valve clearance	0.3
	Carburetor	0.2
	Governor	0.2
Cleaning	Carburetor	0.6
	Air cleaner element	0.2
	Spark plug	0.1
Removal and installation	Engine	0.2

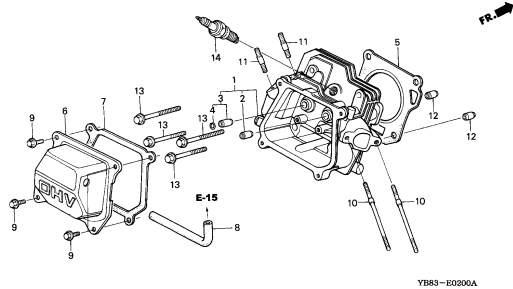
ENGINE GROUP

B12

E-2

CYLINDER HEAD(WT20XK1/K2/K3)

C 1

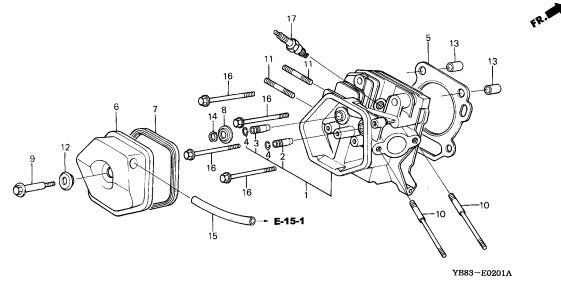


YB83-E0200A

E-2-1

CYLINDER HEAD(WT30XK1/K2/K3)

C 3

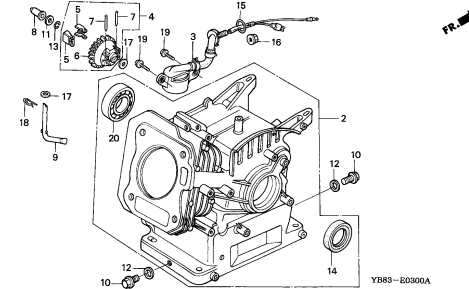


YB83-E0201A

E-3

CYLINDER BARREL(WT20XK1/K2/K3)

C 5

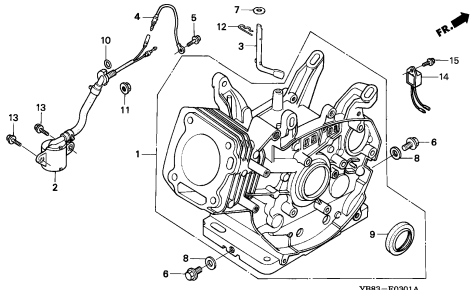


YB83-E0300A

E-3-1

CYLINDER BARREL(WT30XK1/K2/K3)

C 7

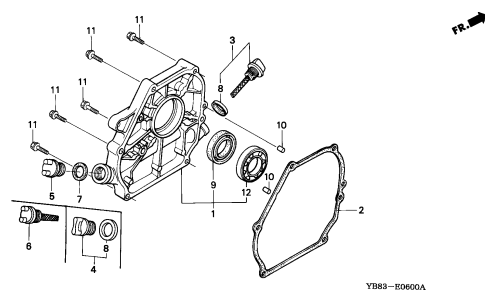


YB83-E0301A

E-6

CRANKCASE COVER(WT20XK1/K2/K3)

C 9

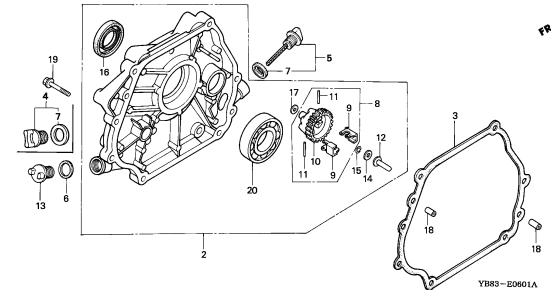


YB83-E0600A

E-6-1

CRANKCASE COVER(WT30XK1/K2/K3)

C11

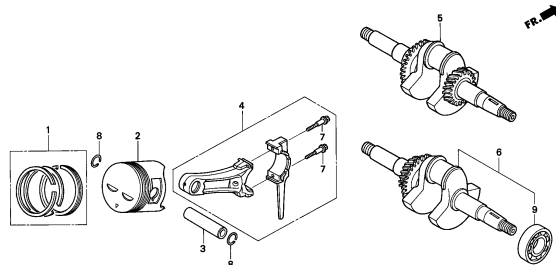


YB83-E0601A

E-7

CRANKSHAFT

C13

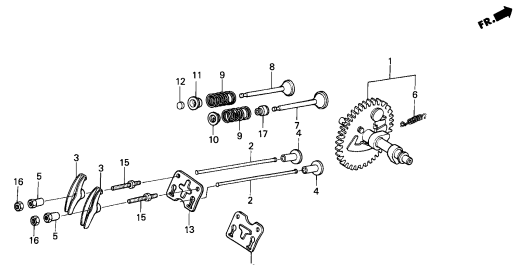


YB83-E0700

E-9

CAMSHAFT

D 3

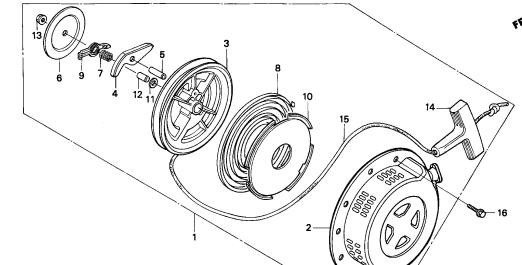


YB83-E0900B

E-11

RECOIL STARTER(WT20XK1)

D 5



YB83-E1100A

2

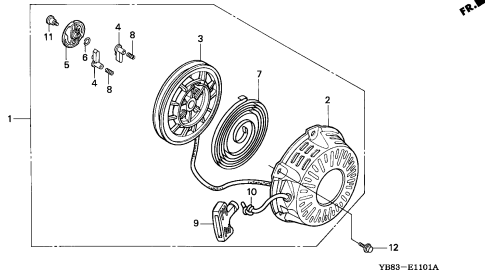
ENGINE GROUP

B13

E-11-1

RECOIL STARTER(WT20XK2/K3)

D 6

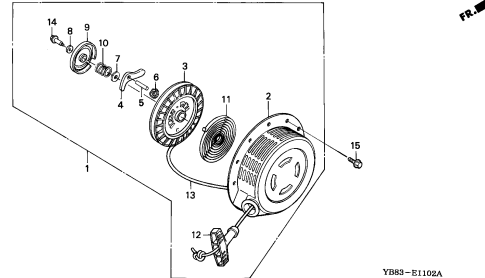


YB83-E1101A

E-11-2

RECOIL STARTER(WT30XK1)

D 7

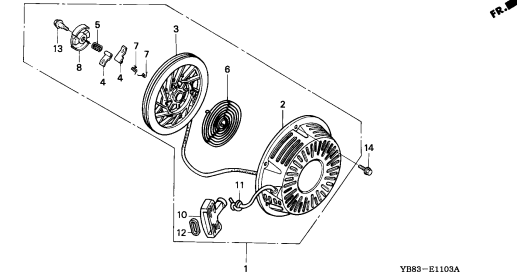


YB83-E1102A

E-11-3

RECOIL STARTER(WT30XK2/K3)

D 8

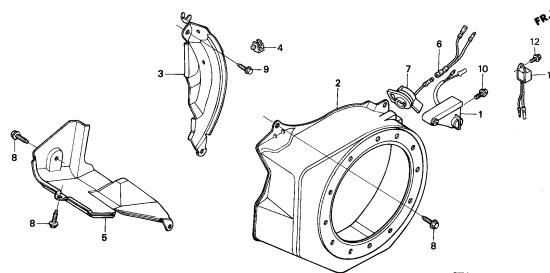


YB83-E1103A

E-12

FAN COVER(WT20XK1/K2/K3)

D 9

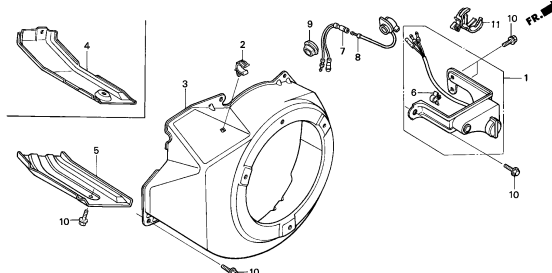


YB83-E1200A

E-12-1

FAN COVER(WT30XK1/K2/K3)

D11

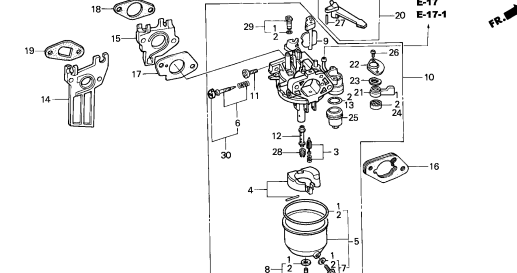


YB83-E1201A

E-14

CARBURETOR

D13

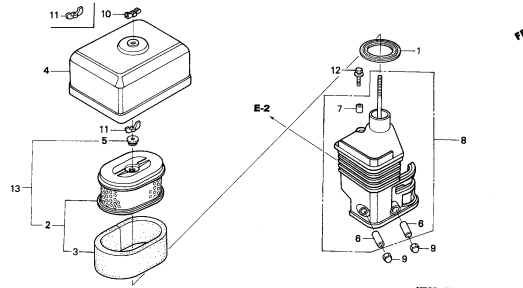


YB83-E1400A

E-15

AIR CLEANER(WT20XK1/K2/K3)

E 1

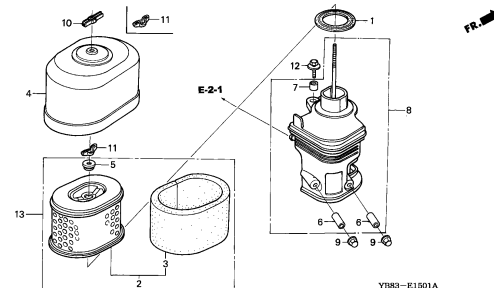


YB83-E1500A

E-15-1

AIR CLEANER(WT30XK1/K2/K3)

E 3

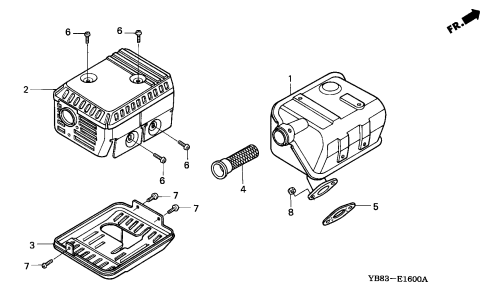


YB83-E1501A

E-16

MUFFLER(WT20XK1/K2/K3)

E 4



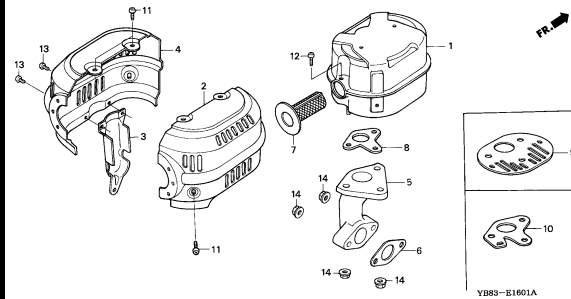
YB83-E1600A

2

ENGINE GROUP

B14**E-16-1**

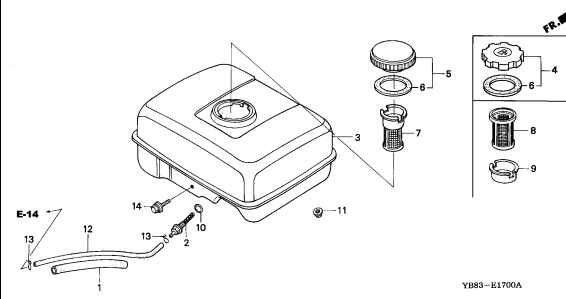
MUFFLER(WT30XK1/K2/K3)

E 5

YB88-E1601A

E-17

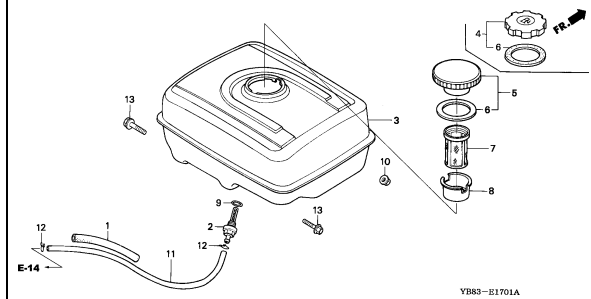
FUEL TANK(WT20XK1/K2/K3)

E 6

YB83-E1700A

E-17-1

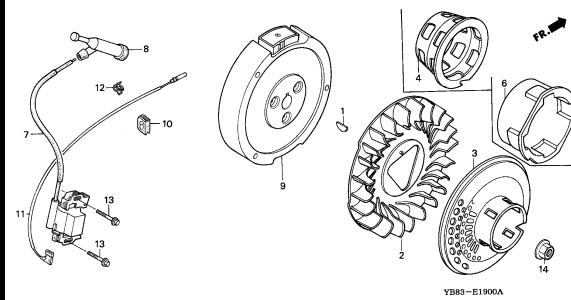
FUEL TANK(WT30XK1/K2/K3)

E 8

YB83-E1701A

E-19

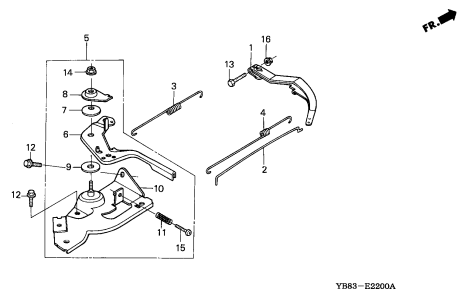
FLYWHEEL/IGNITION COIL

E10

YB83-E1900A

E-22

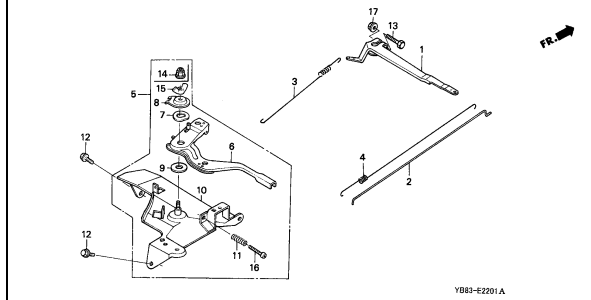
CONTROL(WT20XK1/K2/K3)

E12

YB83-E2200A

E-22-1

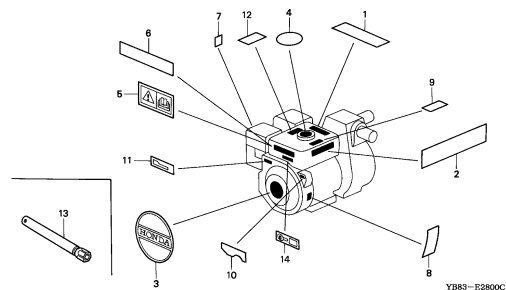
CONTROL(WT30XK1/K2/K3)

E14

YB83-E2201A

E-28

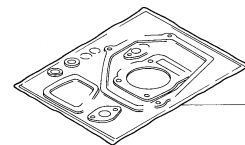
LABEL/TOOL

E15

YB83-E2800C

EOP-1

GASKET KIT

F 1

HENG-X003

2

FRAME GROUP

B15

F-1 **G 1**

CASING(WT20XK1/K2/WT30XK1/K2)

YB83-F0100A

F-1-1 **G 4**

CASING(WT20XK3/WT30XK3)

YB83-F0101

F-3 **G 6**

FRAME(WT20XK1/K2/WT30XK1/K2)

YB83-F0300

F-3-1 **G 7**

FRAME(WT20XK3/WT30XK3)

YB83-F0301

F-4 **G 8**

LABEL

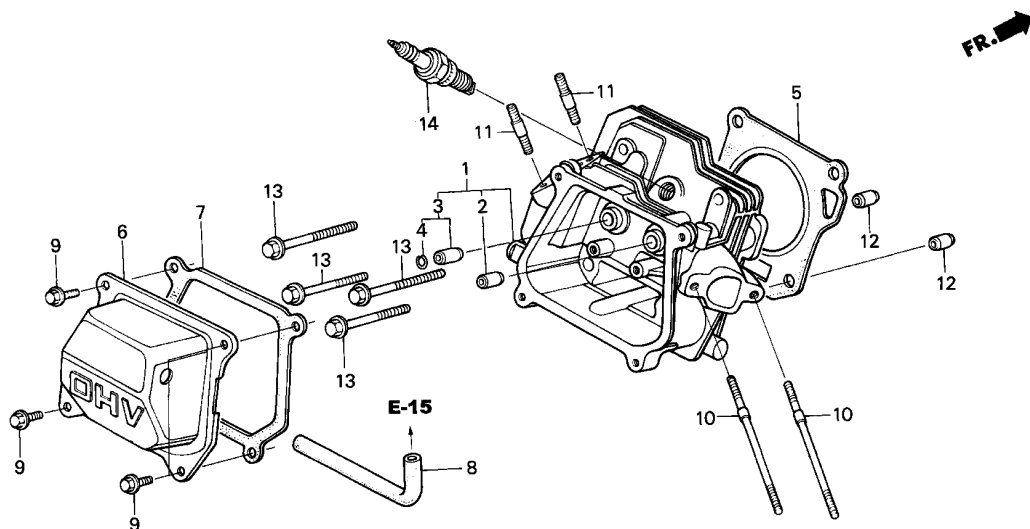
YB83-F0400B

3

E-2

CYLINDER HEAD(WT20XK1/K2/K3)

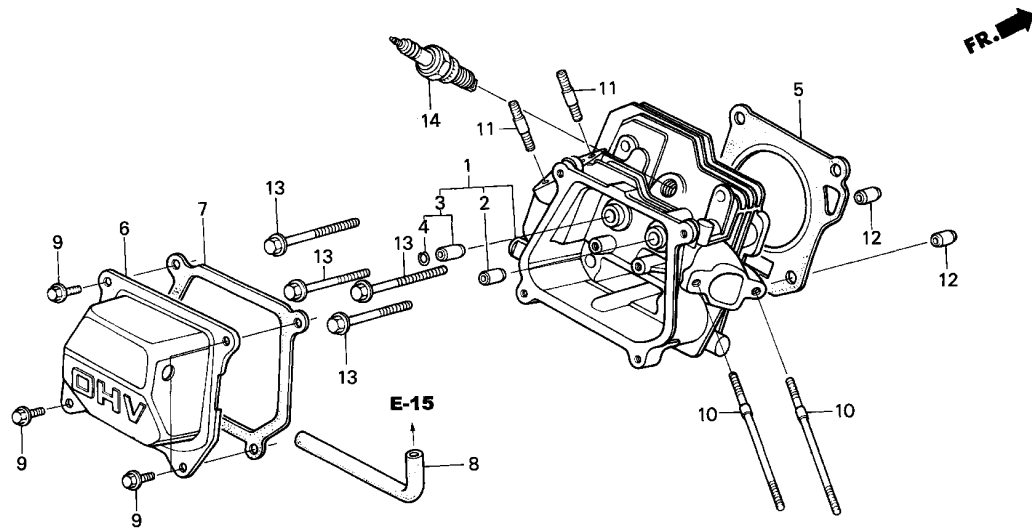
C 1



YB83-E0200A

Service item	F.R.T.
COVER COMP., HEAD	0.1
.PACKING, HEAD COVER	
.PLUG, SPARK	
.TUBE, BREATHER	
BOLT, STUD, 6X112	0.2
(ADD 0.1 FOR EACH.)	
.BOLT, STUD, 8X32	
(ADD 0.1 FOR EACH.)	
GASKET, CYLINDER HEAD	0.5
GUIDE, IN. VALVE	0.8
(ADD 0.2 FOR EACH.)	
HEAD COMP., CYLINDER	0.9

Ref. No.	Part No.	Description	Reqd. QTY						Serial No.	Parts catalogue code
			WT 20X K1	WT 20X K2	WT 20X K3	WT 30X K1	WT 30X K2	WT 30X K3		
1	122A0-ZE1-020	HEAD COMP., CYLINDER	1	-	-	-	-	-		
	12210-ZH8-000	-	1	-	-	-	-		
	12210-ZH8-020	-	-	1	-	-	-		
2	12204-ZE1-305	GUIDE, IN. VALVE (O.S.)	(1)	-	-	-	-	-		
	12204-ZE1-306	-	(1)	-	-	-	-	----- 2401552 C,D	
			-	(1)	-	-	-	-	----- DE,UD	
			-	(1)	-	-	-	-	2401553 ----- C,D	
3	12205-ZE1-315	GUIDE, EX. VALVE (O.S.)	(1)	(1)	(1)	-	-	-		
4	12216-ZE5-300	CLIP, VALVE GUIDE	1	1	1	-	-	-		
5	12251-ZE1-000	GASKET, CYLINDER HEAD	1	-	-	-	-	-		
	12251-ZF1-800	-	1	1	-	-	-		
6	12310-ZE1-000	COVER COMP., HEAD	1	-	-	-	-	-		
	12310-ZE1-010	-	1	-	-	-	-	----- 3476277 DE	
			-	1	-	-	-	-	----- 7638542 C,D,UD	
	12310-ZE1-020	-	1	-	-	-	-	3476278 ----- DE	
			-	1	-	-	-	-	7638543	
7	12391-ZE1-000	PACKING, HEAD COVER	1	1	1	-	-	-		
8	15721-ZE1-010	TUBE, BREATHER	1	-	-	-	-	-		
	15721-ZH8-000	-	1	1	-	-	-		
9	90016-ZE1-000	BOLT, FLANGE, 6X13	4	-	-	-	-	-		
	90013-883-000	BOLT, FLANGE, 6X12(CT200) ...	-	4	-	-	-	-	----- 2708336 C,D	
			-	4	-	-	-	-	----- DE,UD	
			-	4	-	-	-	-	2708337 ----- C,D	
10	90043-ZE1-010	BOLT, STUD, 6X109	2	-	-	-	-	-		
			-	2	-	-	-	-	----- 3036974 C,D	



YB83-E0200A

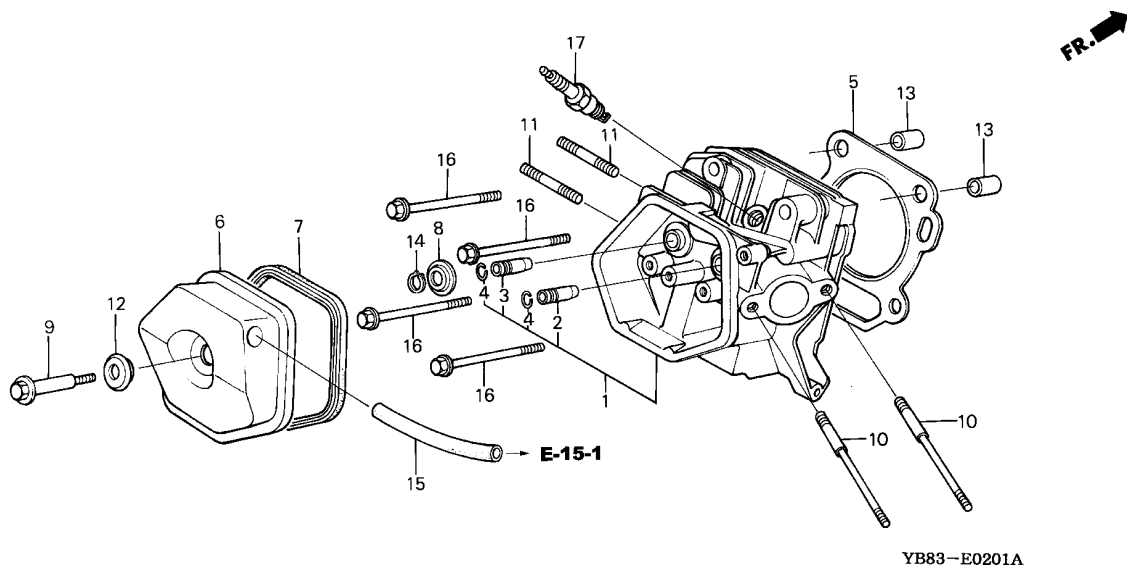


Ref. No.	Part No.	Description	Reqd. QTY						Serial No.	Parts catalogue code
			WT 20X K1	WT 20X K2	WT 20X K3	WT 30X K1	WT 30X K2	WT 30X K3		
10)	90043-ZE1-020	BOLT, STUD, 6X112	-	2	-	-	-	-	----- DE,UD ----- 3036975 C,D	
11	90047-ZE1-000	BOLT, STUD, 8X32	2	2	2	-	-	-		
12	94301-10160	DOWEL PIN, 10X16	2	2	2	-	-	-		
13	95723-08060-00	BOLT, FLANGE, 8X60	4	4	4	-	-	-		
14	98079-56841	PLUG, SPARK (BP6ES) (NGK)	1	-	-	-	-	-	----- D	
	98079-56846	PLUG, SPARK (BPR6ES) (NGK) ...	1	-	-	-	-	-	----- C	
	98079-56854	PLUG, SPARK (W20EP-U) (DENSO)	1	-	1	-	-	-	----- D	
	98079-56855	PLUG, SPARK (W20EPR-U) (DENSO)	1	-	-	-	-	-	----- C	
			-	1	1	-	-	-		

E-2-1

CYLINDER HEAD(WT30XK1/K2/K3)

C 3



Service item	F.R.T.
COVER COMP., HEAD	0.1
.PACKING, HEAD COVER	
.PLUG, SPARK	
.TUBE, 11X105	
BOLT, STUD, 8X123	0.2
(ADD 0.1 FOR EACH.)	
.BOLT, STUD, 8X47	
(ADD 0.1 FOR EACH.)	
GASKET, CYLINDER HEAD	0.5
GUIDE, IN. VALVE	0.8
(ADD 0.2 FOR EACH.)	
HEAD COMP., CYLINDER	0.9

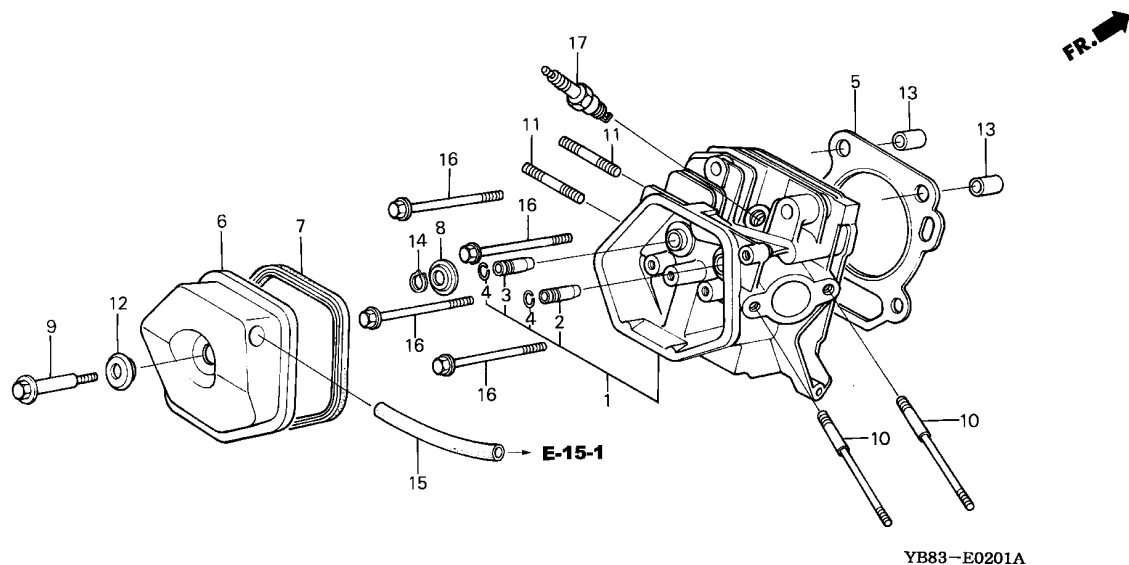
2

Ref. No.	Part No.	Description	Reqd. QTY						Serial No.	Parts catalogue code
			WT 20X K1	WT 20X K2	WT 20X K3	WT 30X K1	WT 30X K2	WT 30X K3		
1	122A0-ZE2-030	HEAD COMP., CYLINDER	-	-	-	1	-	-		
	12200-ZH9-000	-	-	-	-	1	1		
2	12204-ZE2-315	GUIDE, IN. VALVE (O.S.)	-	-	-	(1)	-	-		
	12204-ZE2-306	-	-	-	-	(1)	-	----- 3102862 C,D	
			-	-	-	-	(1)	-	----- DE,UD	
			-	-	-	-	(1)	-	3102863 ----- C,D	
3	12205-ZE2-305	GUIDE, EX. VALVE (O.S.)	-	-	-	(1)	(1)	(1)		
4	12216-ZE2-300	CLIP, VALVE GUIDE	-	-	-	2	1	2		
5	12251-ZE2-000	GASKET, CYLINDER HEAD	-	-	-	1	-	-		
	12251-ZE2-800	-	-	-	-	1	1		
6	12310-ZE2-010	COVER COMP., HEAD	-	-	-	1	-	-		
	12310-ZE2-020	-	-	-	-	1	-	----- 3146326 C,D	
			-	-	-	-	1	-	----- DE,UD	
			-	-	-	-	1	-	3146327 ----- C,D	
7	12391-ZE2-010	PACKING, HEAD COVER	-	-	-	1	-	-		
	12391-ZE2-020	-	-	-	-	1	-	----- 3146326 C,D	
			-	-	-	-	1	-	----- DE,UD	
			-	-	-	-	1	-	3146327 ----- C,D	
8	14775-ZE2-010	SEAT, VALVE SPRING	-	-	-	1	1	1		
9	90014-ZE2-000	BOLT, HEAD COVER	-	-	-	1	1	1		
10	90042-ZE2-000	BOLT, STUD, 8X123	-	-	-	2	2	2		
11	90047-ZE2-000	BOLT, STUD, 8X47	-	-	-	2	-	-		
			-	-	-	-	2	-	----- 3844352	

E-2-1

CYLINDER HEAD(WT30XK1/K2/K3)

C 4



YB83-E0201A

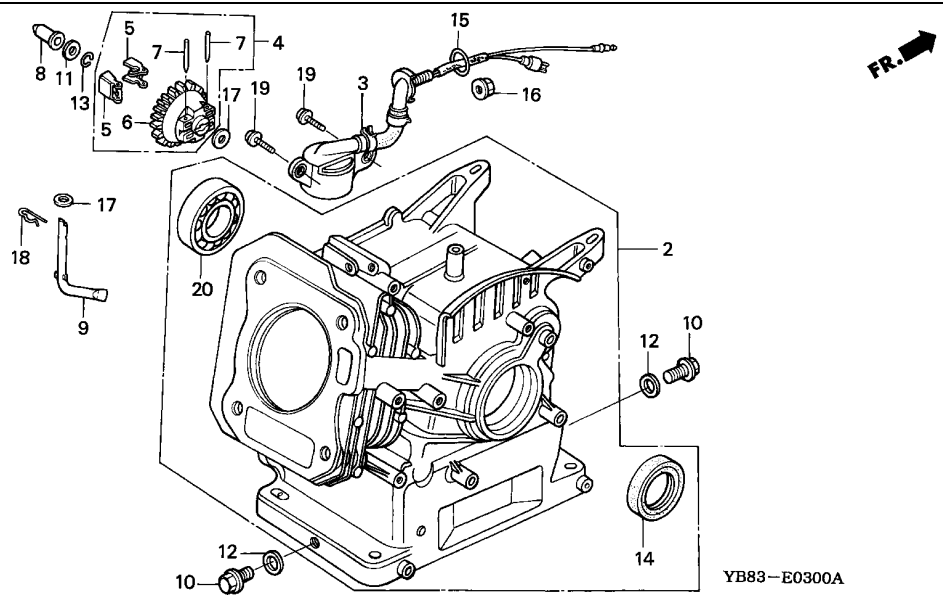
2

Ref. No.	Part No.	Description	Reqd. QTY						Serial No.	Parts catalogue code
			WT 20X K1	WT 20X K2	WT 20X K3	WT 30X K1	WT 30X K2	WT 30X K3		
11)	92900-08032-0E	BOLT, STUD, 8X32	-	-	-	-	2	-	3844353	
12	90441-ZE2-010	WASHER COMP., HEAD COVER	-	-	-	1	1	1		
13	94301-12200	DOWEL PIN, 12X20	-	-	-	2	2	2		
14	94510-11000	CIRCLIP, EXTERNAL, 11MM	-	-	-	1	-	-		
15	95005-11105-30	TUBE, 11X105(95005-11001-30M)	-	-	-	1	-	-	-----	3454867 C,D,DE
	95005-11100-30	TUBE, 11X100(95005-11001-30M)	-	-	-	1	-	-	-----	UD
			-	-	-	1	-	-	3454868	----- C,D,DE
			-	-	-	-	-	1		
16	95725-10080-00	BOLT, FLANGE, 10X80	-	-	-	4	4	4		
17	98079-56841	PLUG, SPARK (BP6ES) (NGK)	-	-	-	1	-	-	-----	D
	98079-56846	PLUG, SPARK (BPR6ES) (NGK) ...	-	-	-	1	-	-	-----	C
	98079-56854	PLUG, SPARK (W20EP-U) (DENSO)	-	-	-	1	-	-	-----	D
	98079-56855	PLUG, SPARK (W20EPR-U) (DENSO)	-	-	-	1	-	-	-----	C
	98079-55841	PLUG, SPARK (BP5ES) (NGK)	-	-	-	1	1	-	-----	D
	98079-55846	PLUG, SPARK (BPR5ES) (NGK) ...	-	-	-	1	-	-	-----	C
	98079-55854	PLUG, SPARK (W16EP-U) (DENSO)	-	-	-	(1)	-	-	-----	D
	98079-55855	PLUG, SPARK (W16EPR-U) (DENSO)	-	-	-	(1)	-	-	-----	C
			-	-	-	-	(1)	(1)		

E-3

CYLINDER BARREL(WT20XK1/K2/K3)

C 5

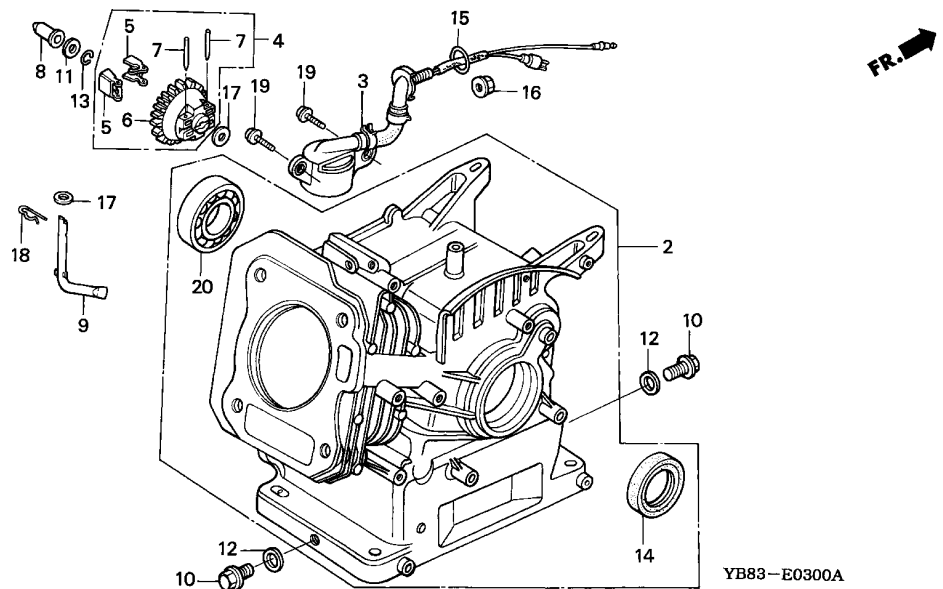


Service item	F.R.T.
SLIDER, GOVERNOR	0.8
O-RING, 14MM	1.0
.SWITCH ASSY., OIL LEVEL	
SHAFT, GOVERNOR ARM	*1.6
HOLDER, GOVERNOR WEIGHT	*1.7
(INC. RELATIVE PART)	
BEARING, RADIAL BALL, 6205 ...	*1.9
BARREL ASSY., CYLINDER	*2.4

YB83-E0300A

Ref. No.	Part No.	Description	Reqd. QTY						Serial No.	Parts catalogue code
			WT 20X K1	WT 20X K2	WT 20X K3	WT 30X K1	WT 30X K2	WT 30X K3		
2	120A0-ZE1-810	BARREL ASSY., CYLINDER (OIL ALERT)	1	-	-	-	-	-		
	12000-ZF1-812	-	1	-	-	-	-	-----	1067884 C,D,DE
	12000-ZH8-406	BARREL ASSY., CYLINDER (811) (OIL ALERT)	-	1	-	-	-	-	-----	7438282 UD
	12000-ZH8-416	-	1	-	-	-	-	1067885 7438283	7438282 C,D,DE
3	15510-ZE1-003	SWITCH ASSY., OIL LEVEL	1	-	-	-	-	-		
	15510-ZE1-013	-	1	-	-	-	-	-----	2468252 C,D
	15510-ZE1-023	-	1	-	-	-	-	-----	4368640 DE
	15510-ZE1-033	-	1	-	-	-	-	2468253 4368641	4368640 C,D
		-	1	-	-	-	-	-----	5640312 C,D,DE
		-	1	-	-	-	-	-----	UD
		-	1	-	-	-	-	5640313	----- C,D,DE
4	16510-ZE1-000	GOVERNOR ASSY.	1	1	1	-	-	-		
5	16511-ZE1-000	WEIGHT, GOVERNOR	2	2	2	-	-	-		
6	16512-ZE1-000	HOLDER, GOVERNOR WEIGHT	1	1	1	-	-	-		
7	16513-ZE1-000	PIN, GOVERNOR WEIGHT	2	2	2	-	-	-		
8	16531-ZE1-000	SLIDER, GOVERNOR	1	1	1	-	-	-		
9	16541-ZE1-000	SHAFT, GOVERNOR ARM	1	1	1	-	-	-		
10	90131-ZE1-000	BOLT, DRAIN PLUG	2	2	2	-	-	-		
11	90451-ZE1-000	WASHER, THRUST, 6MM	1	1	1	-	-	-		
12	90601-ZE1-000	WASHER, DRAIN PLUG, 10.2MM ..	2	2	2	-	-	-		
13	90602-896-000	CLIP, GOVERNOR HOLDER	1	-	-	-	-	-	-----	1728191

2

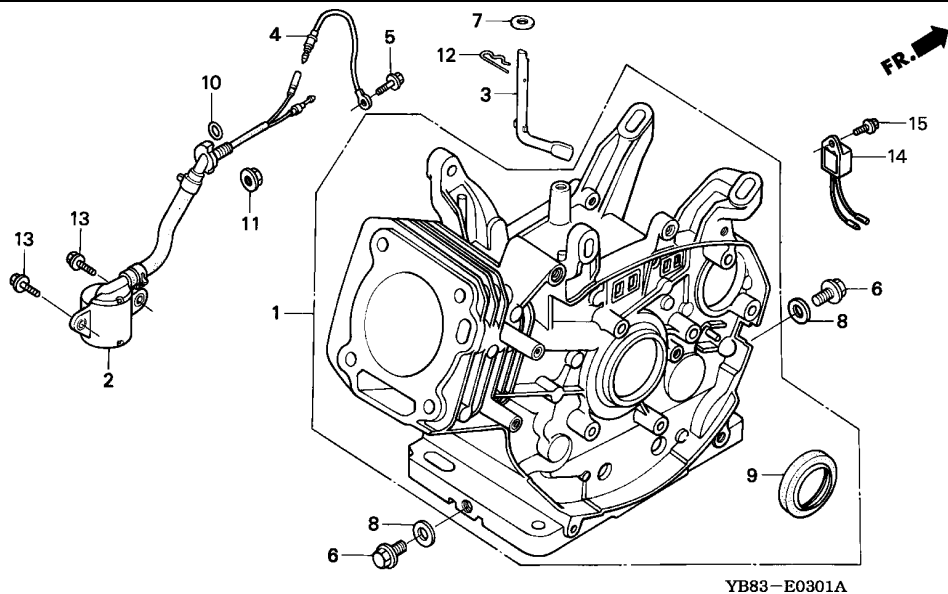


Ref. No.	Part No.	Description	Reqd. QTY						Serial No.	Parts catalogue code
			WT 20X K1	WT 20X K2	WT 20X K3	WT 30X K1	WT 30X K2	WT 30X K3		
13)	90602-ZE1-000	CLIP, GOVERNOR HOLDER	1	-	-	-	-	-	1728192	
	14	91202-883-005 OIL SEAL, 25X41X6	1	1	1	-	-	-		
	15	91353-671-004 O-RING, 14MM(NOK)	1	1	1	-	-	-		
	16	94050-10000 NUT, FLANGE, 10MM	1	1	1	-	-	-		
	17	94101-06800 WASHER, PLAIN, 6MM	2	2	2	-	-	-		
	18	94251-08000 PIN, LOCK, 8MM	1	1	1	-	-	-		
	19	95700-06012-00 BOLT, FLANGE, 6X12	2	-	-	-	-	-		
		95701-06012-00	-	2	2	-	-	-		
	20	96100-62050-00 BEARING, RADIAL BALL, 6205 ..	1	-	-	-	-	-	-----	3033315
		91001-ZF1-003 BEARING, RADIAL BALL (6205TMB)	1	-	-	-	-	-		3033316
		(NTN)	-	1	1	-	-	-		
		91001-ZF1-004 BEARING, RADIAL BALL (6205SH)	1	-	-	-	-	-		3033316
		(KOYO)	-	1	1	-	-	-		

E-3-1

CYLINDER BARREL(WT30XK1/K2/K3)

C 7



YB83-E0301A

Service item	F.R.T.
ALERT UNIT, OIL	0.1
SHAFT, GOVERNOR ARM	0.8
O-RING, 14MM	0.9
.SWITCH ASSY., OIL LEVEL	
BARREL ASSY., CYLINDER	*2.5

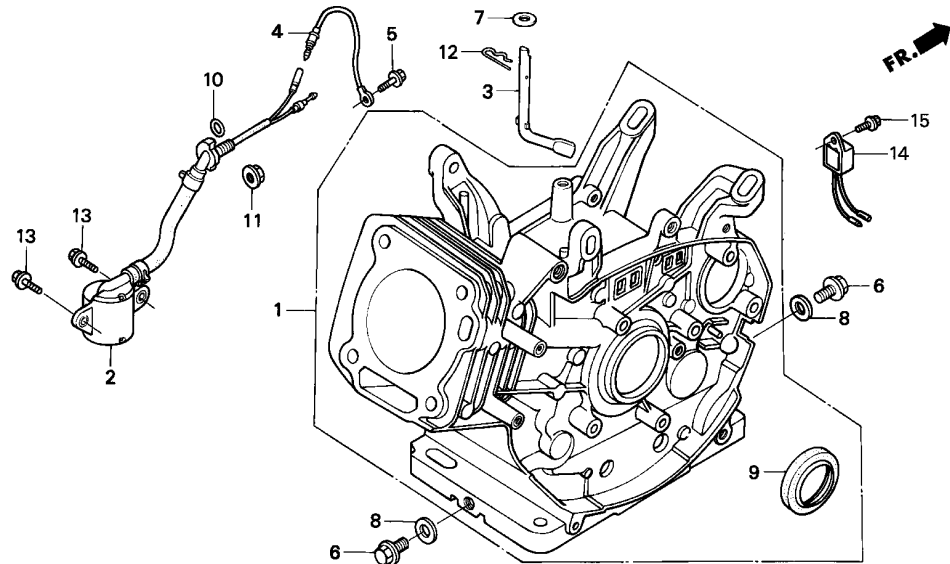
Ref. No.	Part No.	Description	Reqd. QTY						Serial No.	Parts catalogue code
			WT 20X K1	WT 20X K2	WT 20X K3	WT 30X K1	WT 30X K2	WT 30X K3		
1	120A0-ZE2-810	BARREL ASSY., CYLINDER (ALERT)	-	-	-	1	-	-	1238477	
	120A0-ZE2-811	-	-	-	1	-	-	1238478	
	120A0-ZE2-812	-	-	-	1	-	-	1487105	
	120A0-ZE2-813	-	-	-	1	-	-	1487106	
	12000-ZE2-814	-	-	-	-	1	-	3211943 C,D	
	12000-ZE2-815	-	-	-	-	1	-	4081304 DE,UD	
			-	-	-	-	-	1	3211944	4081304 C,D
			-	-	-	-	-	1	4081305	
2	15510-ZE2-013	SWITCH ASSY., OIL LEVEL	-	-	-	1	-	-		
	15510-ZE2-023	-	-	-	-	1	-	3116814 C,D	
	15510-ZE2-033	-	-	-	-	1	-	3566259 DE	
	15510-ZE2-043	-	-	-	-	1	-	3116815	3566259 C,D
			-	-	-	-	1	-	3566260	3674320 C,D,DE
			-	-	-	-	1	-	UD	
			-	-	-	-	1	-	3674321	C,D,DE
3	16541-ZE2-000	SHAFT, GOVERNOR ARM	-	-	-	1	-	-		
	16541-ZE2-010	-	-	-	-	1	-	3332421 C,D	
			-	-	-	-	1	-	DE,UD	
			-	-	-	-	1	-	3332422	C,D
4	32197-ZE2-003	SUB HARNESS	-	-	-	-	1	-		
5	90013-883-000	BOLT, FLANGE, 6X12(CT200) ...	-	-	-	-	1	-	3566259 DE	
			-	-	-	-	1	-	3116815	3566259 C,D
			-	-	-	-	1	-	3566259 DE	
			-	-	-	-	1	-	3116815	3566259 C,D
6	90131-883-000	BOLT, DRAIN PLUG, 12X15	-	-	-	2	2	2		
7	90446-KE1-000	WASHER, 8.2X17X0.8	-	-	-	1	1	1		

2

E-3-1

CYLINDER BARREL(WT30XK1/K2/K3)

C 8



YB83-E0301A

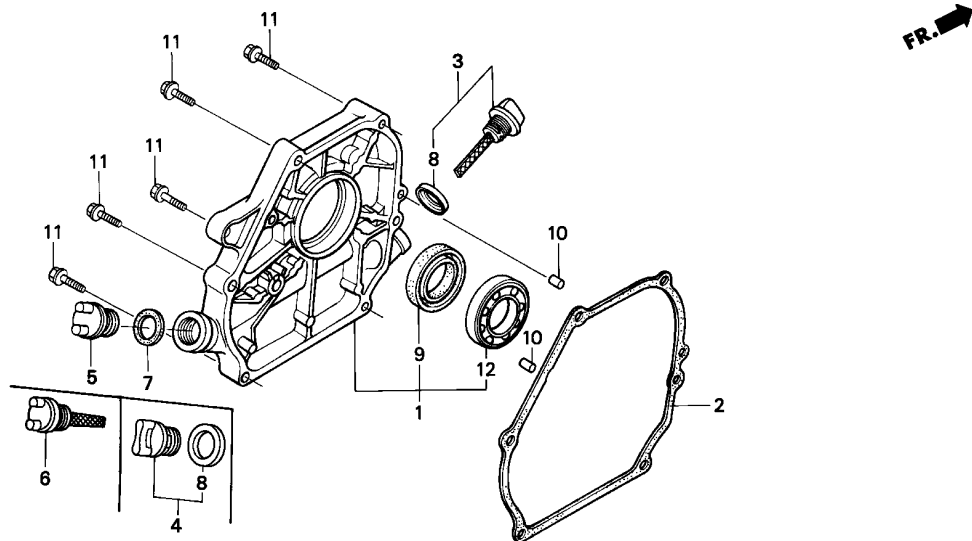
2

Ref. No.	Part No.	Description	Reqd. QTY						Serial No.	Parts catalogue code
			WT 20X K1	WT 20X K2	WT 20X K3	WT 30X K1	WT 30X K2	WT 30X K3		
8	90601-ZE2-000 94109-12000	WASHER, DRAIN PLUG, 12MM	-	-	-	2	-	-	----- 1518601 1518602	
9	91201-890-003	OIL SEAL, 30X46X8	-	-	-	-	2	2		
10	91353-671-004	O-RING, 14MM(NOK)	-	-	-	1	1	1		
11	94050-10000	NUT, FLANGE, 10MM	-	-	-	1	1	1		
12	94251-08000	PIN, LOCK, 8MM	-	-	-	1	-	-	----- 3332421 C,D	
	94251-10000	PIN, LOCK, 10MM	-	-	-	-	1	-	----- DE,UD	
			-	-	-	-	1	-	3332422 ----- C,D	
13	95700-06012-00 95701-06012-00	BOLT, FLANGE, 6X12	-	-	-	2	-	-		
14	34150-ZH7-003	ALERT UNIT, OIL	-	-	-	-	2	2		
			-	-	-	-	1	-	----- UD	
			-	-	-	-	1	-	3684579 ----- C,D,DE	
15	90013-883-000	BOLT, FLANGE, 6X12(CT200)	-	-	-	-	1	-	----- UD	
			-	-	-	-	1	-	3684579 ----- C,D,DE	
			-	-	-	-	-	1		

E-6

CRANKCASE COVER(WT20XK1/K2/K3)

C 9



YB83-E0600A

Service item	F.R.T.
COVER ASSY., CRANKCASE	0.6
.PACKING, CASE COVER	0.7
BEARING, RADIAL BALL, 6205 ...	0.7
.OIL SEAL, 25X41X6	

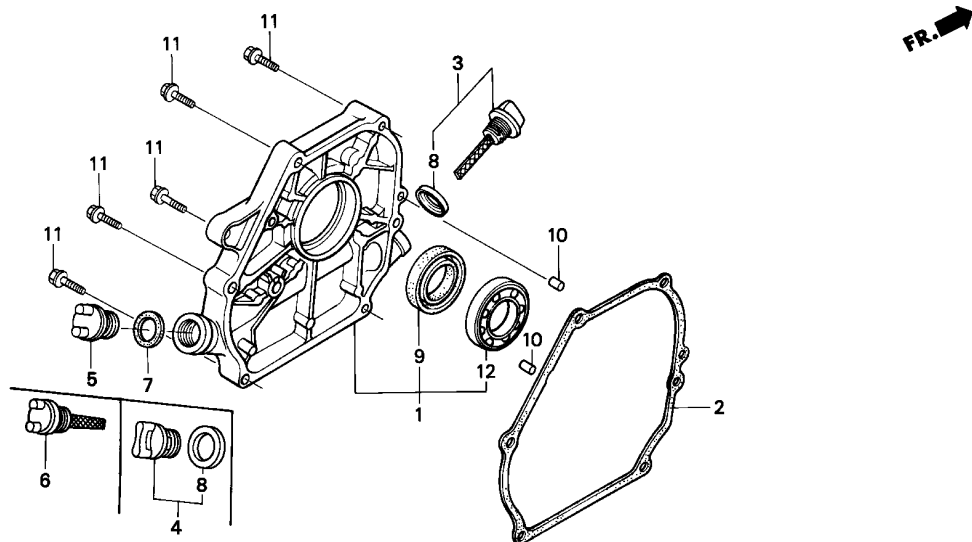
Ref. No.	Part No.	Description	Reqd. QTY						Serial No.	Parts catalogue code
			WT 20X K1	WT 20X K2	WT 20X K3	WT 30X K1	WT 30X K2	WT 30X K3		
1	11300-ZE1-631	COVER ASSY., CRANKCASE	1	-	-	-	-	2056879		
	11300-ZE1-632	1	-	-	-	-	2056880		
	11300-ZE1-633	-	1	-	-	-	3451228	C,D	
			-	1	-	-	-	3451229	DE,UD	
			-	1	-	-	-		C,D	
2	11381-ZE1-000	PACKING, CASE COVER	1	-	-	-	-			
	11381-ZH8-800	PACKING, CASE COVER (NON ASBEST)	-	1	-	-	-	3413169	C,D	
	11381-ZH8-801	-	1	-	-	-	3413170	DE,UD	
			-	1	-	-	-		C,D	
3	15600-ZE1-000	CAP ASSY., OIL FILLER	1	-	-	-	-			
	15600-ZE1-003	-	1	-	-	-	2966709	C,D	
			-	1	-	-	-	2966710	DE,UD	
			-	1	-	-	-		C,D	
4	15600-ZG4-003	CAP ASSY., OIL FILLER	-	1	-	-	-			
			-	1	-	-	-	2966710	DE,UD	
			-	1	-	-	-		C,D	
5	15620-ZG4-910	CAP, OIL FILLER	1	-	-	-	-	3249295		
	15620-ZG4-003	-	1	-	-	-	2966709	C,D	
			-	1	-	-	-		UD	
6	15621-ZE1-000	CAP, OIL HOLE	1	-	-	-	-	3249294		
7	15621-896-010	PACKING, OIL FILLER CAP	1	-	-	-	-			
			-	1	-	-	-	2966709	C,D	

2

E-6

CRANKCASE COVER(WT20XK1/K2/K3)

C10



YB83-E0600A

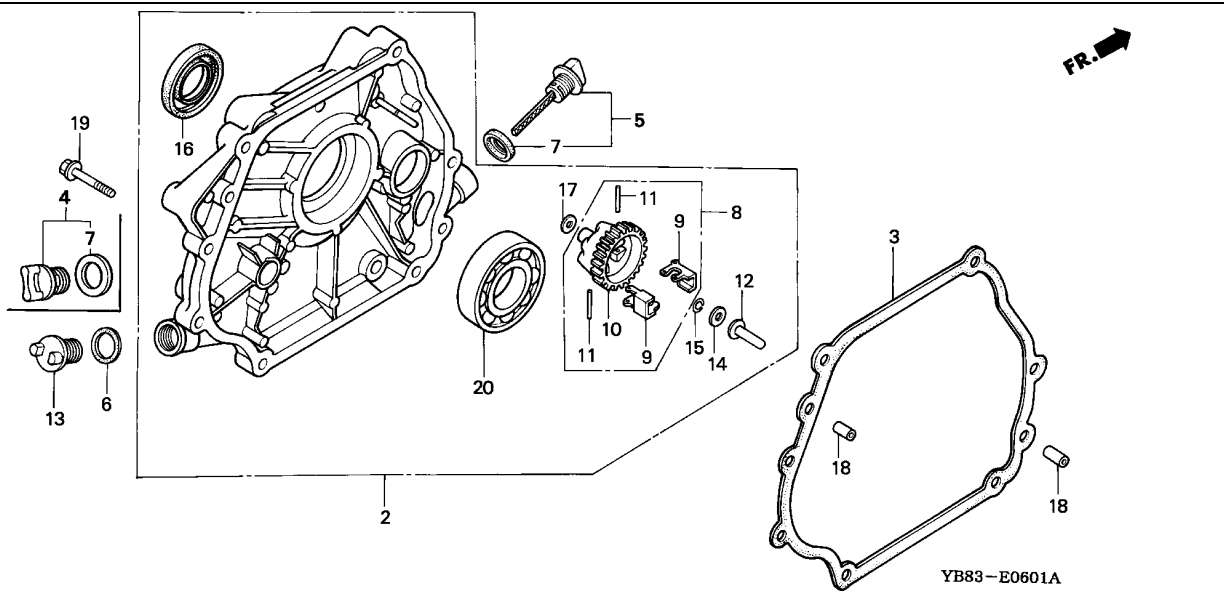
Ref. No.	Part No.	Description	Reqd. QTY						Serial No.	Parts catalogue code
			WT 20X K1	WT 20X K2	WT 20X K3	WT 30X K1	WT 30X K2	WT 30X K3		
8	15625-ZE1-000	PACKING, OIL FILLER CAP	1	-	-	-	-	-	----- 2966709 C,D	
	15625-ZE1-003	-	2	-	-	-	-	----- DE,UD	
		-	2	-	-	-	-	2966710 ----- C,D	
9	91202-883-005	OIL SEAL, 25X41X6	1	1	1	-	-	-		
10	94301-08140	DOWEL PIN, 8X14	2	2	2	-	-	-		
11	95700-08032-00	BOLT, FLANGE, 8X32	6	-	-	-	-	-		
	95701-08032-00	-	6	6	-	-	-		
12	96100-62050-00	BEARING, RADIAL BALL, 6205 ..	1	1	1	-	-	-		

2

E-6-1

CRANKCASE COVER(WT30XK1/K2/K3)

C11



Service item	F.R.T.
COVER ASSY., CRANKCASE	0.6
.PACKING, CASE COVER	
.SLIDER, GOVERNOR	
BEARING, RADIAL BALL, 6206	0.7
.HOLDER, GOVERNOR WEIGHT (INC. RELATIVE PART)	

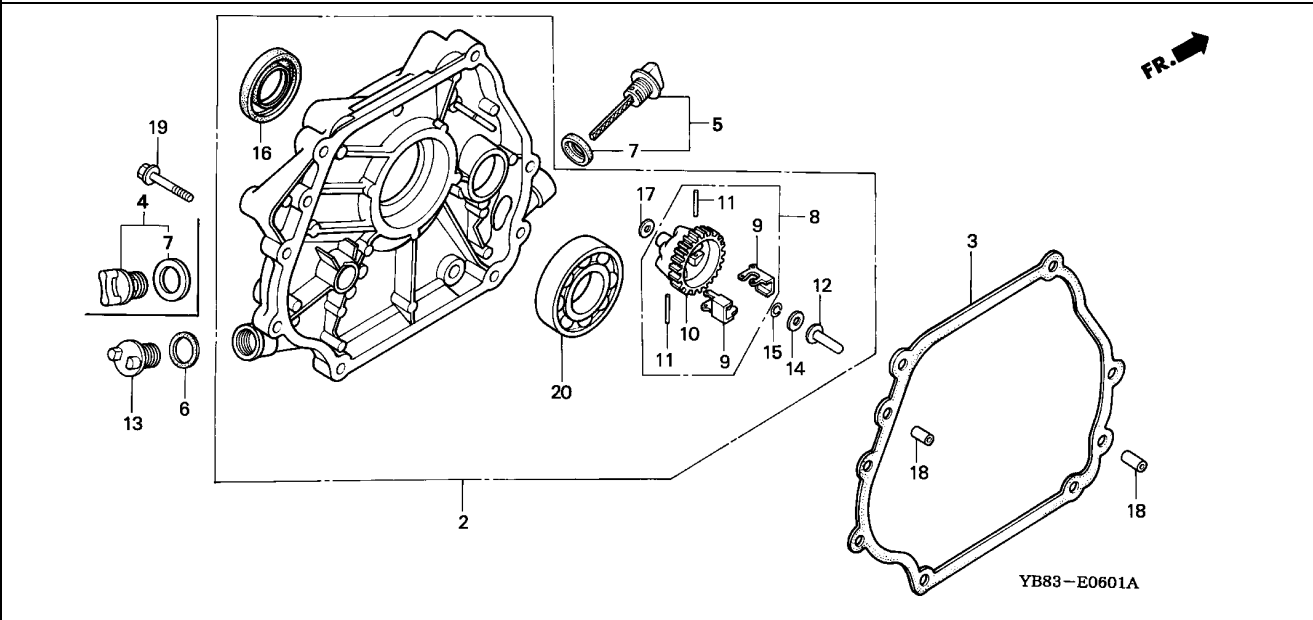
Ref. No.	Part No.	Description	Reqd. QTY						Serial No.	Parts catalogue code
			WT 20X K1	WT 20X K2	WT 20X K3	WT 30X K1	WT 30X K2	WT 30X K3		
2	11300-ZE2-630	COVER ASSY., CRANKCASE	-	-	-	1	1	-		
	11300-ZE2-632	-	-	-	-	-	1		
3	11381-ZE2-000	PACKING, CASE COVER	-	-	-	1	-	-		
	11381-ZE2-800	-	-	-	-	1	-	4045100	
	11381-ZE2-801	-	-	-	-	1	-	4045101	
		-	-	-	-	-	1		
4	15600-ZG4-003	CAP ASSY., OIL FILLER	-	-	-	1	-	-	1528044	
		-	-	-	-	1	-	----- DE,UD	
		-	-	-	-	1	-	2901133 ----- C,D	
		-	-	-	-	-	1		
5	15600-735-700	CAP ASSY., OIL FILLER	-	-	-	1	-	-	----- 2901132 C,D	
		-	-	-	-	1	-	----- DE,UD	
	15600-735-003	-	-	-	-	1	-	2901133 ----- C,D	
		-	-	-	-	-	1		
6	15621-896-010	PACKING, OIL FILLER CAP	-	-	-	1	-	-	----- 2901132 C,D	
		-	-	-	-	1	-		
7	15625-ZE1-000	PACKING, OIL FILLER CAP	-	-	-	1	-	-	----- 2901132 C,D	
		-	-	-	-	1	-	----- DE,UD	
	15625-ZE1-003	-	-	-	-	2	-	2901133 ----- C,D	
		-	-	-	-	-	2		
8	16510-ZE2-000	GOVERNOR ASSY.	-	-	-	-	1	1		
9	16511-ZE2-000	WEIGHT, GOVERNOR	-	-	-	2	2	2		
10	16512-ZE2-000	HOLDER, GOVERNOR WEIGHT	-	-	-	1	1	1		
11	16513-ZE2-000	PIN, GOVERNOR WEIGHT	-	-	-	2	2	2		
12	16531-ZE2-000	SLIDER, GOVERNOR	-	-	-	1	1	-		

2

E-6-1

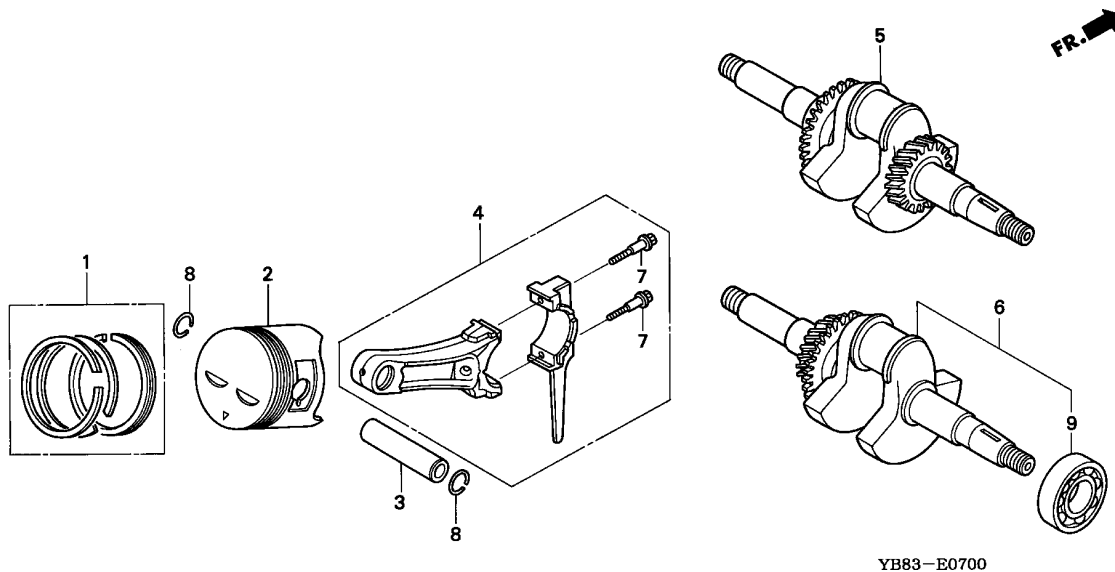
CRANKCASE COVER(WT30XK1/K2/K3)

C12



2

Ref. No.	Part No.	Description	Reqd. QTY						Serial No.	Parts catalogue code
			WT 20X K1	WT 20X K2	WT 20X K3	WT 30X K1	WT 30X K2	WT 30X K3		
12)	16531-Z0A-000	SLIDER, GOVERNOR	-	-	-	-	-	1		
13	15620-ZG4-910	CAP, OIL FILLER	-	-	-	1	-	-	1528044	
	15620-735-003	-	-	-	-	1	-	-----	2901132 C,D
	25611-735-000	CAP, OIL HOLE	-	-	-	1	-	-	-----	UD
14	90473-147-000	WASHER, 6X16	-	-	-	1	-	-	-----	1528043
15	90602-896-000	CLIP, GOVERNOR HOLDER	-	-	-	1	-	-	-----	3269810 C,D
	90602-ZE1-000	-	-	-	1	-	-	-----	1287216
			-	-	-	-	1	1		
16	91201-889-003	OIL SEAL, 30X45X8	-	-	-	1	1	1		
17	94101-06800	WASHER, PLAIN, 6MM	-	-	-	1	1	1		
18	94301-08140	DOWEL PIN, 8X14	-	-	-	2	-	-	-----	1238477
	94301-08120	PIN A, DOWEL, 8X12	-	-	-	2	-	-	1238478	1342865
	90701-HC4-000	DOWEL PIN, 8X12	-	-	-	2	-	-	1342866	
19	95900-08035-00	BOLT, FLANGE, 8X35	-	-	-	-	2	2		
	95701-08035-00	-	-	-	-	7	7		
20	96100-62060-00	BEARING, RADIAL BALL, 6206 ..	-	-	-	1	1	1		

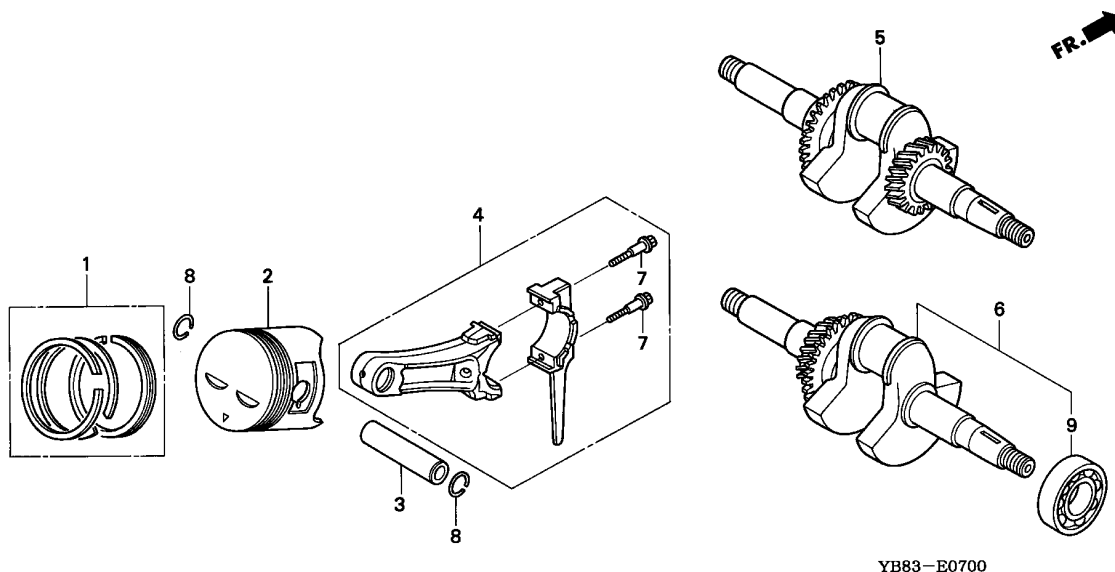


Service item	F.R.T.
PISTON	*1.8
.RING SET, PISTON	
.ROD ASSY., CONNECTING	
CRANKSHAFT COMP.	*1.9
BEARING, RADIAL BALL, 6206 ...	*2.1

YB83-E0700

Ref. No.	Part No.	Description	Reqd. QTY						Serial No.	Parts catalogue code
			WT 20X K1	WT 20X K2	WT 20X K3	WT 30X K1	WT 30X K2	WT 30X K3		
1	130A1-ZE1-003	RING SET, PISTON (STD.) (NIPPON)	1	-	-	-	-	-	2120317	
	130A1-ZE1-004	RING SET, PISTON (STD.) (TEIKOKU)	1	-	-	-	-	-	2120317	
	130A2-ZE1-003	RING SET, PISTON (0.25) (NIPPON)	(1)	-	-	-	-	-	2120317	
	130A2-ZE1-004	RING SET, PISTON (0.25) (TEIKOKU)	(1)	-	-	-	-	-	2120317	
	130A3-ZE1-003	RING SET, PISTON (0.50) (NIPPON)	(1)	-	-	-	-	-	2120317	
	130A3-ZE1-004	RING SET, PISTON (0.50) (TEIKOKU)	(1)	-	-	-	-	-	2120317	
	130A4-ZE1-003	RING SET, PISTON (0.75) (NIPPON)	(1)	-	-	-	-	-	2120317	
	130A4-ZE1-004	RING SET, PISTON (0.75) (TEIKOKU)	(1)	-	-	-	-	-	2120317	
	13010-ZE1-013	RING SET, PISTON (STD.) (NIPPON)	1	-	-	-	-	-	2120318	
	13010-ZE1-014	RING SET, PISTON (STD.) (TEIKOKU)	1	-	-	-	-	-	2120318	
	13011-ZE1-013	RING SET, PISTON (0.25) (NIPPON)	(1)	-	-	-	-	-	2120318	
	13011-ZE1-014	RING SET, PISTON (0.25) (TEIKOKU)	(1)	-	-	-	-	-	2120318	
	13012-ZE1-013	RING SET, PISTON (0.50) (NIPPON)	(1)	-	-	-	-	-	2120318	
	13012-ZE1-014	RING SET, PISTON (0.50) (TEIKOKU)	(1)	-	-	-	-	-	2120318	

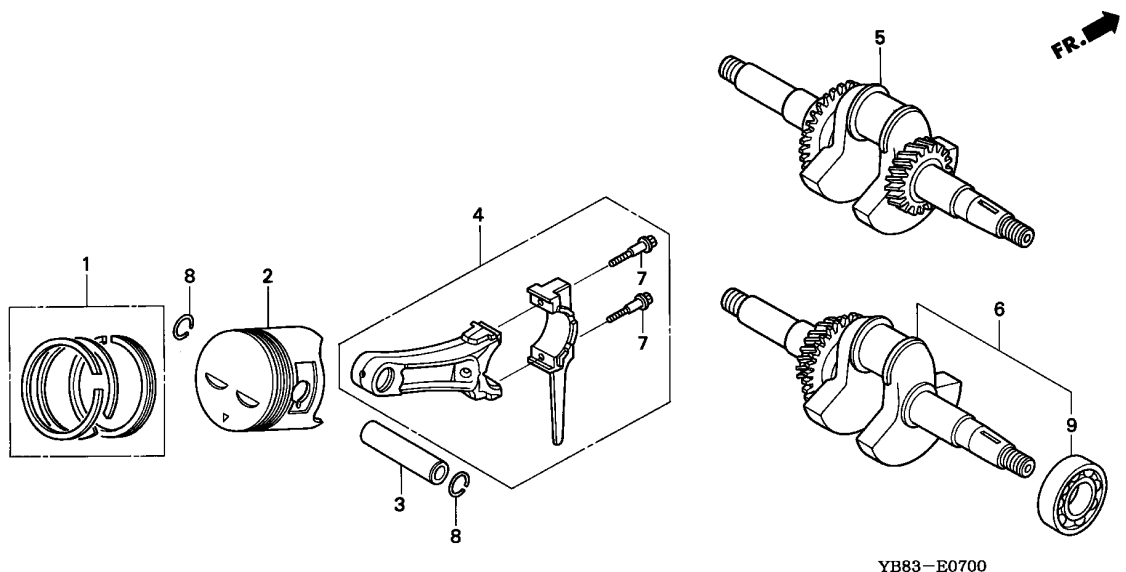
Ref. No.	Part No.	Description	Reqd. QTY						Serial No.	Parts catalogue code
			WT 20X K1	WT 20X K2	WT 20X K3	WT 30X K1	WT 30X K2	WT 30X K3		
(1)	13013-ZE1-013	RING SET, PISTON (0.75) (NIPPON)	(1)	-	-	-	-	-	2120318	
	13013-ZE1-014	RING SET, PISTON (0.75) (TEIKOKU)	(1)	-	-	-	-	-	2120318	
	13010-ZF1-023	RING SET, PISTON (STD.) (TEIKOKU)	-	1	-	-	-	-	5495899	C,D,DE
	13010-ZF1-024	RING SET, PISTON (STD.) (NIPPON)	-	1	-	-	-	-	5495899	C,D,DE
	13011-ZF1-023	RING SET, PISTON (0.25) (TEIKOKU)	-	(1)	-	-	-	-	5495899	C,D,DE
	13011-ZF1-024	RING SET, PISTON (0.25) (NIPPON)	-	(1)	-	-	-	-	5495899	C,D,DE
	13012-ZF1-023	RING SET, PISTON (0.50) (TEIKOKU)	-	(1)	-	-	-	-	5495899	C,D,DE
	13012-ZF1-024	RING SET, PISTON (0.50) (NIPPON)	-	(1)	-	-	-	-	5495899	C,D,DE
	13013-ZF1-023	RING SET, PISTON (0.75) (TEIKOKU)	-	(1)	-	-	-	-	5495899	C,D,DE
	13013-ZF1-024	RING SET, PISTON (0.75) (NIPPON)	-	(1)	-	-	-	-	5495899	C,D,DE
	13010-ZH8-941	RING SET, PISTON (STD.) (TEIKOKU)	-	1	-	-	-	-	7603338	UD
	13010-ZH8-942	RING SET, PISTON (STD.) (NIPPON)	-	1	-	-	-	-	5495900	7603338 C,D,DE
	13011-ZH8-941	RING SET, PISTON (0.25) (TEIKOKU)	-	(1)	-	-	-	-	7603338	UD
	13011-ZH8-942	RING SET, PISTON (0.25) (NIPPON)	-	(1)	-	-	-	-	5495900	7603338 C,D,DE
	13012-ZH8-941	RING SET, PISTON (0.50) (TEIKOKU)	-	(1)	-	-	-	-	7603338	UD
	13012-ZH8-942	RING SET, PISTON (0.50) (NIPPON)	-	(1)	-	-	-	-	5495900	7603338 C,D,DE
	13013-ZH8-941	RING SET, PISTON (0.75) (TEIKOKU)	-	(1)	-	-	-	-	7603338	UD
	13013-ZH8-942	RING SET, PISTON (0.75) (NIPPON)	-	(1)	-	-	-	-	5495900	7603338 C,D,DE
	13010-ZL0-003	RING SET, PISTON (STD.) (TEIKOKU)	-	1	-	-	-	-	7603339	
	13010-ZL0-004	RING SET, PISTON (STD.) (NIPPON)	-	-	(1)	-	-	-		
	13011-ZL0-003	RING SET, PISTON (0.25) (TEIKOKU)	-	(1)	-	-	-	-	7603339	
	13011-ZL0-004	RING SET, PISTON (0.25) (NIPPON)	-	-	(1)	-	-	-		
	13012-ZL0-003	RING SET, PISTON (0.50) (TEIKOKU)	-	(1)	-	-	-	-	7603339	



YB83-E0700

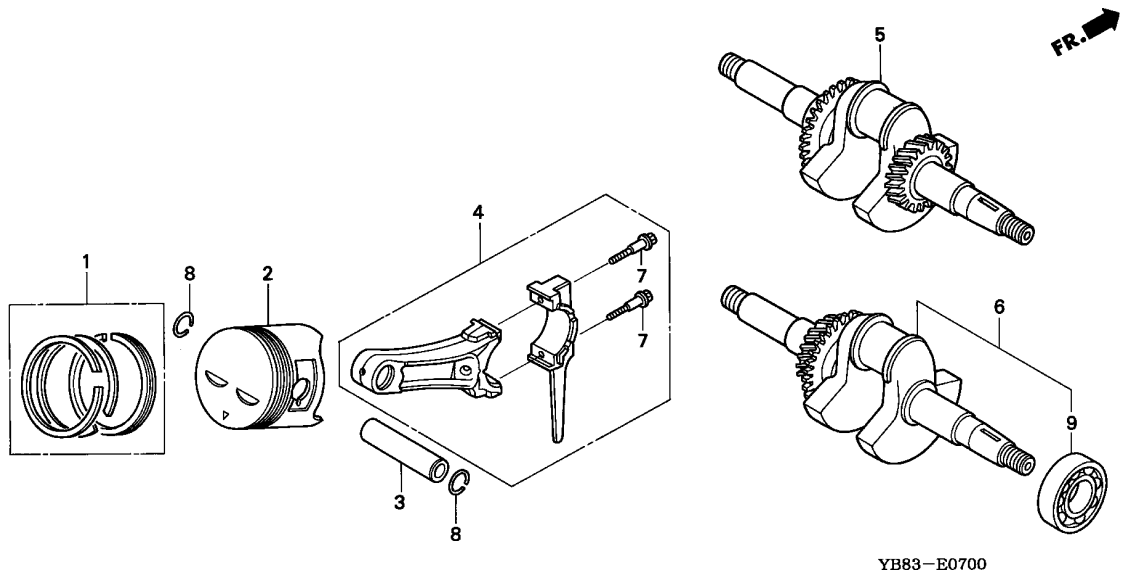
Ref. No.	Part No.	Description	Reqd. QTY						Serial No.	Parts catalogue code
			WT 20X K1	WT 20X K2	WT 20X K3	WT 30X K1	WT 30X K2	WT 30X K3		
(1)	13012-ZL0-004	RING SET, PISTON (0.50) (NIPPON)	-	-	(1)	-	-	-		
	13013-ZL0-003	RING SET, PISTON (0.75) (TEIKOKU)	-	(1)	-	-	-	-	7603339	
	13013-ZL0-004	RING SET, PISTON (0.75) (NIPPON)	-	-	(1)	-	-	-		
	13010-ZE2-003	RING SET, PISTON (STD.) (NIPPON)	-	-	-	1	-	-	-----	1242764
	13010-ZE2-004	RING SET, PISTON (STD.) (TEIKOKU)	-	-	-	1	-	-	-----	1281053
	13011-ZE2-003	RING SET, PISTON (0.25) (NIPPON)	-	-	-	(1)	-	-	-----	1242764
	13011-ZE2-004	RING SET, PISTON (0.25) (TEIKOKU)	-	-	-	(1)	-	-	-----	1281053
	13012-ZE2-003	RING SET, PISTON (0.50) (NIPPON)	-	-	-	(1)	-	-	-----	1242764
	13012-ZE2-004	RING SET, PISTON (0.50) (TEIKOKU)	-	-	-	(1)	-	-	-----	1281053
	13013-ZE2-003	RING SET, PISTON (0.75) (NIPPON)	-	-	-	(1)	-	-	-----	1242764
	13013-ZE2-004	RING SET, PISTON (0.75) (TEIKOKU)	-	-	-	(1)	-	-	-----	1281053
	13010-ZE2-013	RING SET, PISTON (STD.) (NIPPON)	-	-	-	1	-	-	-----	1242765
	13010-ZE2-014	RING SET, PISTON (STD.) (TEIKOKU)	-	-	-	1	-	-	-----	4081304
			-	-	-	-	1	-	-----	4081304

Ref. No.	Part No.	Description	Reqd. QTY						Serial No.	Parts catalogue code
			WT 20X K1	WT 20X K2	WT 20X K3	WT 30X K1	WT 30X K2	WT 30X K3		
(1)	13011-ZE2-013	RING SET, PISTON (0.25) (NIPPON)	-	-	-	(1)	-	-	1242765	4081304
	13011-ZE2-014	RING SET, PISTON (0.25) (TEIKOKU)	-	-	-	(1)	-	-	1281054	
	13012-ZE2-013	RING SET, PISTON (0.50) (NIPPON)	-	-	-	(1)	-	-	1242765	4081304
	13012-ZE2-014	RING SET, PISTON (0.50) (TEIKOKU)	-	-	-	(1)	-	-	1281054	
	13013-ZE2-013	RING SET, PISTON (0.75) (NIPPON)	-	-	-	(1)	-	-	1242765	4081304
	13013-ZE2-014	RING SET, PISTON (0.75) (TEIKOKU)	-	-	-	(1)	-	-	1281054	
	13010-ZE2-921	RING SET, PISTON (STD.) (TEIKOKU)	-	-	-	-	1	-	4081305	4081304
	13010-ZE2-922	RING SET, PISTON (STD.) (NIPPON)	-	-	-	-	1	-	4081305	
	13011-ZE2-921	RING SET, PISTON (0.25) (TEIKOKU)	-	-	-	-	(1)	-	4081305	4081305
	13011-ZE2-922	RING SET, PISTON (0.25) (NIPPON)	-	-	-	-	(1)	-	4081305	
	13012-ZE2-921	RING SET, PISTON (0.50) (TEIKOKU)	-	-	-	-	(1)	-	4081305	4081305
	13012-ZE2-922	RING SET, PISTON (0.50) (NIPPON)	-	-	-	-	(1)	-	4081305	
	13013-ZE2-921	RING SET, PISTON (0.75) (TEIKOKU)	-	-	-	-	(1)	-	4081305	4081305
	13013-ZE2-922	RING SET, PISTON (0.75) (NIPPON)	-	-	-	-	(1)	-	4081305	
2	13101-ZE1-000	PISTON (STD.)	1	-	-	-	-	-	2120317	2120317
	13102-ZE1-000	PISTON (0.25)	(1)	-	-	-	-	-	2120317	
	13103-ZE1-000	PISTON (0.50)	(1)	-	-	-	-	-	2120317	
	13104-ZE1-000	PISTON (0.75)	(1)	-	-	-	-	-	2120317	
	13101-ZE1-010	PISTON (STD.)	1	-	-	-	-	-	2120318	2120318
	13102-ZE1-010	PISTON (0.25)	(1)	-	-	-	-	-	2120318	
	13103-ZE1-010	PISTON (0.50)	(1)	-	-	-	-	-	2120318	
	13104-ZE1-010	PISTON (0.75)	(1)	-	-	-	-	-	2120318	
	13101-ZH8-000	PISTON (STD.)	-	1	-	-	-	-	7603338	7603338
	13102-ZH8-000	PISTON (0.25)	-	(1)	-	-	-	-	7603338	
	13103-ZH8-000	PISTON (0.50)	-	(1)	-	-	-	-	7603338	
	13104-ZH8-000	PISTON (0.75)	-	(1)	-	-	-	-	7603338	
	13101-ZH8-010	PISTON (STD.)	-	1	-	-	-	-	7603339	7603339
	13102-ZH8-010	PISTON (0.25)	-	(1)	-	-	-	-	7603339	
			-	-	(1)	-	-	-		



YB83-E0700

Ref. No.	Part No.	Description	Reqd. QTY						Serial No.	Parts catalogue code
			WT 20X K1	WT 20X K2	WT 20X K3	WT 30X K1	WT 30X K2	WT 30X K3		
(2)	13103-ZH8-010	PISTON (0.50)	-	(1)	-	-	-	-	7603339	
	13104-ZH8-010	PISTON (0.75)	-	(1)	-	-	-	-	7603339	
	13101-ZE2-000	PISTON (STD.)	-	-	-	1	-	-	-----	1263002
	13102-ZE2-000	PISTON (0.25)	-	-	-	(1)	-	-	-----	1263002
	13103-ZE2-000	PISTON (0.50)	-	-	-	(1)	-	-	-----	1263002
	13104-ZE2-000	PISTON (0.75)	-	-	-	(1)	-	-	-----	1263002
	13101-ZE2-010	PISTON (STD.)	-	-	-	1	-	-	1263003	
	13102-ZE2-010	PISTON (0.25)	-	-	-	(1)	-	-	1263003	
	13103-ZE2-010	PISTON (0.50)	-	-	-	(1)	-	-	1263003	
	13104-ZE2-010	PISTON (0.75)	-	-	-	(1)	-	-	1263003	
	13101-ZE2-W00	PISTON (STD.)	-	-	-	1	1	-		
	13102-ZE2-W00	PISTON (0.25)	-	-	-	(1)	(1)	-		
	13103-ZE2-W00	PISTON (0.50)	-	-	-	(1)	(1)	-		
	13104-ZE2-W00	PISTON (0.75)	-	-	-	(1)	(1)	-		
3	13111-ZE1-000	PIN, PISTON	1	1	1	-	-	-		
	13111-ZE2-000		-	-	-	1	1	1		
4	13200-ZE1-000	ROD ASSY., CONNECTING (STD.)	1	-	-	-	-	-		
	13200-ZE1-010		-	1	1	-	-	-		
	13200-ZE2-000		-	-	-	1	-	-		
	13200-ZE2-010		-	-	-	1	-	-	-----	4159260
	13200-ZE2-010		-	-	-	1	-	-	4159261	
	132A0-ZE1-000	ROD ASSY., CONNECTING (UNDER SIZE)	(1)	-	-	-	-	-		
	13200-ZE2-305	ROD ASSY., CONNECTING (0.25 UNDER SIZE)	-	(1)	-	-	-	-	-----	C,D
			-	-	-	(1)	(1)	(1)		

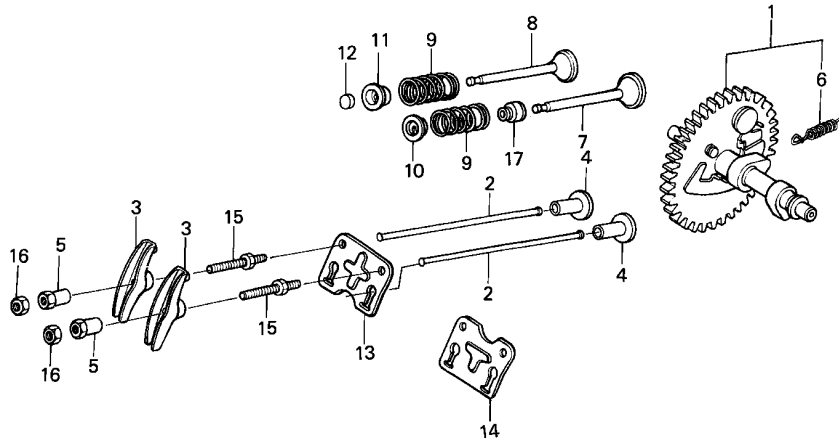


Ref. No.	Part No.	Description	Reqd. QTY						Serial No.	Parts catalogue code
			WT 20X K1	WT 20X K2	WT 20X K3	WT 30X K1	WT 30X K2	WT 30X K3		
5	13310-ZE1-630	CRANKSHAFT COMP.	1	1	1	-	-	-		
6	13310-ZE2-630	CRANKSHAFT COMP.	-	-	-	1	-	-	-----	1494214
	13310-ZE2-631	-	-	-	1	-	-	1494215	
7	90001-ZE1-000	BOLT, CONNECTING ROD	2	2	2	-	-	-		
	90001-ZE8-000	-	-	-	2	2	2		
8	90551-ZE1-000	CLIP, PISTON PIN, 18MM	2	2	2	2	2	2		
9	96100-62060-00	BEARING, RADIAL BALL, 6206 ..	-	-	-	1	1	1		

E-9

CAMSHAFT

D 3



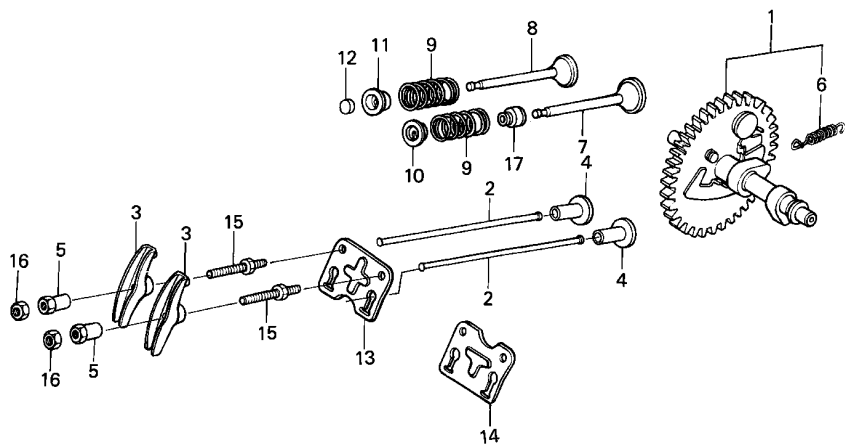
FR. →

YB83-E0900B

Service item	F.R.T.
ARM, VALVE ROCKER	0.2
(ADD 0.1 FOR EACH.)	
.ROD, PUSH	
.ROTATOR, VALVE	
BOLT, PIVOT, 8MM	0.3
(ADD 0.1 FOR EACH.)	
VALVE, IN.	0.7
(ADD 0.1 FOR EACH.)	
CAMSHAFT ASSY.	1.0
.LIFTER, VALVE	

Ref. No.	Part No.	Description	Reqd. QTY						Serial No.	Parts catalogue code
			WT 20X K1	WT 20X K2	WT 20X K3	WT 30X K1	WT 30X K2	WT 30X K3		
1	14100-ZE1-812	CAMSHAFT ASSY.	1	1	1	-	-	-		
	14100-ZE2-010	-	-	-	1	-	-	-----	1494214
	14100-ZE2-020	-	-	-	1	-	-	-----	1494215
	14100-ZH9-000	-	-	-	-	1	-	-----	3620888 C,D,DE
	14100-ZH9-010	-	-	-	-	1	-	-----	UD
			-	-	-	-	1	-	-----	3620889 ----- C,D,DE
2	14410-ZE1-010	ROD, PUSH	2	2	2	-	-	-		
	14410-ZE2-013	-	-	-	2	2	2		
3	14431-ZE1-000	ARM, VALVE ROCKER	2	2	2	-	-	-		
	14431-ZE2-010	-	-	-	2	2	2		
4	14441-ZE1-000	LIFTER, VALVE	2	-	-	-	-	-		
			-	2	-	-	-	-	-----	4252173 C,D,DE
	14441-ZE1-010	-	2	-	-	-	-	-----	UD
			-	2	-	-	-	-	-----	4252174 ----- C,D,DE
			-	-	2	-	-	-		
5	14451-ZE1-003	PIVOT, ROCKER ARM	2	-	-	2	-	-		
			-	2	-	-	-	-	-----	C,D
	14451-ZE1-013	-	2	-	-	2	-	-----	3143190 C,D
			-	-	2	-	2	-	-----	DE,UD
			-	-	-	-	2	-	-----	3143191 ----- C,D
6	14568-ZE1-000	SPRING, WEIGHT RETURN	1	1	1	1	1	1		
7	14711-ZE1-000	VALVE, IN.	1	-	-	-	-	-		
	14711-ZF1-000	-	1	1	-	-	-		
	14711-ZE2-000	-	-	-	1	1	1		
8	14721-ZE1-000	VALVE, EX.	1	-	-	-	-	-		

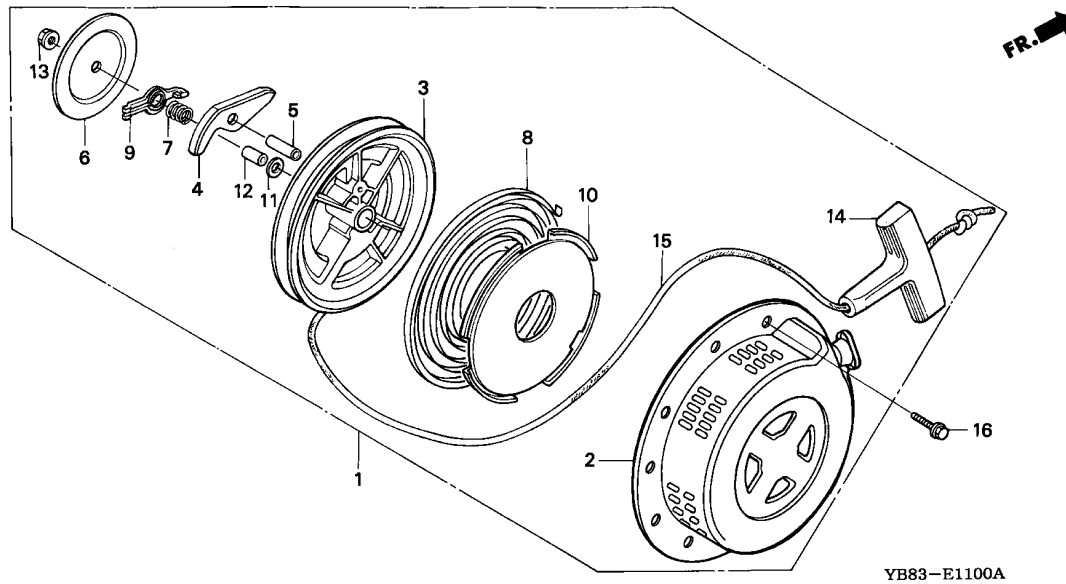
FR. →



YB83-E0900B

Ref. No.	Part No.	Description	Reqd. QTY						Serial No.	Parts catalogue code
			WT 20X K1	WT 20X K2	WT 20X K3	WT 30X K1	WT 30X K2	WT 30X K3		
(8)	14721-ZF1-000	VALVE, EX.	-	1	1	-	-	-		
	14721-ZE2-000	-	-	-	1	1	1		
9	14751-ZE1-000	SPRING, VALVE	2	-	-	-	-	-		
	14751-ZF1-000	-	2	2	-	-	-		
	14751-ZE2-003	-	-	-	2	2	2		
10	14771-ZE1-000	RETAINER, IN. VALVE SPRING ..	1	1	1	-	-	-		
	14771-ZE2-000	-	-	-	1	1	1		
11	14773-ZE1-000	RETAINER, EX. VALVE SPRING ..	1	1	1	-	-	-		
	14773-ZE2-000	-	-	-	1	1	1		
12	14781-ZE1-000	ROTATOR, VALVE	1	1	1	-	-	-		
	14781-ZE2-000	-	-	-	1	1	1		
13	14791-ZE1-010	PLATE, PUSH ROD GUIDE	1	1	1	-	-	-		
14	14791-ZE2-000	PLATE, PUSH ROD GUIDE	-	-	-	1	-	-	-----	1494214
	14791-ZE2-010	-	-	-	1	-	-	1494215	
15	90012-ZE0-010	BOLT, PIVOT, 8MM	2	2	2	2	2	2		
16	90206-ZE1-000	NUT, PIVOT ADJUSTING	2	2	2	2	2	2		
17	12209-ZH8-003	SEAL, VALVE STEM	-	1	-	-	-	-	7664037	
	12209-ZE8-003	-	-	-	-	1	-	4081305	
		-	-	-	-	-	1		





Service item	F.R.T.
RATCHET, STARTER	0.1
.STARTER ASSY., RECOIL	
PULLEY, RECOIL STARTER	0.3
.ROPE, RECOIL STARTER	
.SPRING, RECOIL STARTER	

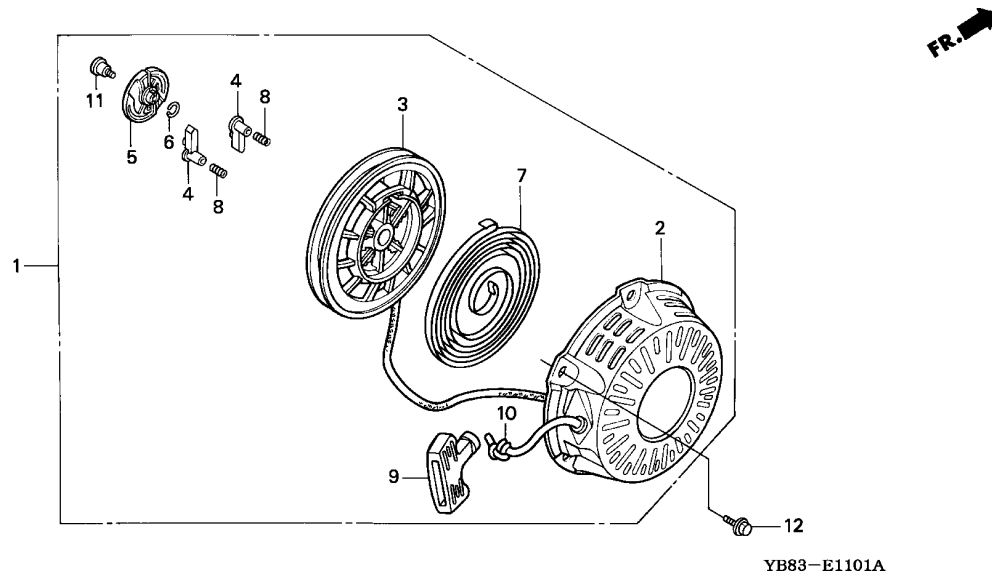
YB83-E1100A

Ref. No.	Part No.	Description	Reqd. QTY						Serial No.	Parts catalogue code
			WT 20X K1	WT 20X K2	WT 20X K3	WT 30X K1	WT 30X K2	WT 30X K3		
1	28400-ZE1-003ZA	STARTER ASSY., RECOIL *R8*.....BRIGHT RED	1	-	-	-	-	-		
2	28410-ZE1-003ZA	CASE COMP., RECOIL STARTER *R8*.....BRIGHT RED	1	-	-	-	-	-		
3	28420-ZE1-003	PULLEY, RECOIL STARTER	1	-	-	-	-	-		
4	28422-ZE1-003	RATCHET, STARTER	1	-	-	-	-	-		
5	28423-ZE1-003	PIN, STARTER RATCHET	1	-	-	-	-	-		
6	28431-ZE1-003	PLATE, FRICTION	1	-	-	-	-	-		
7	28441-ZE1-003	SPRING, FRICTION	1	-	-	-	-	-		
8	28442-ZE1-003	SPRING, RECOIL STARTER	1	-	-	-	-	-		
9	28443-ZE1-003	GUIDE, RATCHET	1	-	-	-	-	-		
10	28445-ZE1-003	CASE, RECOIL STARTER SPRING	1	-	-	-	-	-		
11	28446-ZE1-003	WASHER, STARTER	1	-	-	-	-	-		
12	28447-ZE1-003	SHAFT, SUB	1	-	-	-	-	-		
13	28448-ZE1-003	NUT	1	-	-	-	-	-		
14	28461-ZE1-003	KNOB, RECOIL STARTER	1	-	-	-	-	-		
15	28462-ZE1-003	ROPE, RECOIL STARTER	1	-	-	-	-	-		
16	95701-06008-00	BOLT, FLANGE, 6X8	3	-	-	-	-	-		

E-11-1

RECOIL STARTER(WT20XK2/K3)

D 6

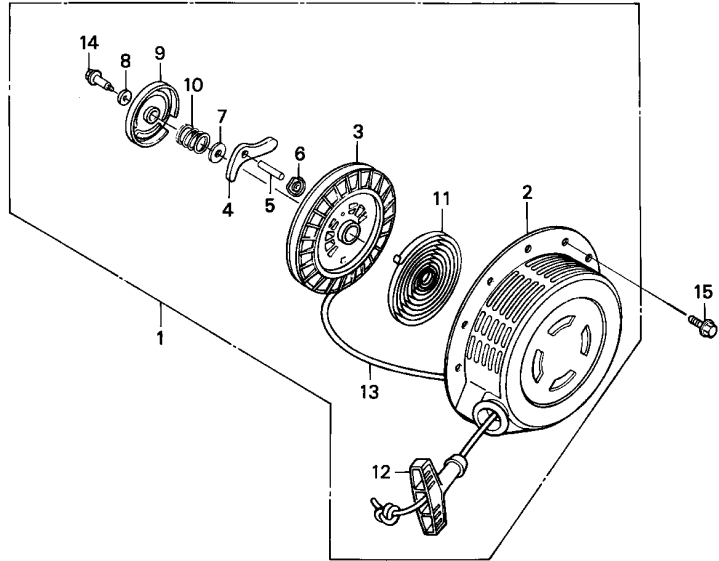


Service item	F.R.T.
STARTER ASSY., RECOIL	0.1
REEL, RECOIL STARTER	0.3
.ROPE, RECOIL STARTER	
.SPRING, RECOIL STARTER	

YB83-E1101A

Ref. No.	Part No.	Description	Reqd. QTY						Serial No.	Parts catalogue code
			WT 20X K1	WT 20X K2	WT 20X K3	WT 30X K1	WT 30X K2	WT 30X K3		
1	28400-ZH8-003ZA	STARTER ASSY., RECOIL	-	-	-	-	-	-	-----	2438252 C,D
		R8.....BRIGHT RED	-	1	-	-	-	-	-----	UD
	28400-ZH8-013ZA	*R8*.....BRIGHT RED	-	1	-	-	-	-	2438253	----- C,D
2	28410-ZH8-003ZA	CASE COMP., RECOIL STARTER	-	-	1	-	-	-	-----	C,D,UD
		R8.....BRIGHT RED	-	1	-	-	-	-	-----	C,D,UD
3	28420-ZH8-003	REEL, RECOIL STARTER (BLACK)	-	1	-	-	-	-	-----	2471577 C,D
	28420-ZH8-013	REEL, RECOIL STARTER (NATURAL)	-	1	-	-	-	-	-----	DE,UD
			-	1	-	-	-	-	2471578	----- C,D
			-	-	1	-	-	-	-----	
4	28422-ZH8-003	RATCHET, STARTER	-	2	-	-	-	-	-----	2438252 C,D
	28422-ZH8-013	-	2	-	-	-	-	-----	DE,UD
			-	2	-	-	-	-	2438253	----- C,D
			-	-	2	-	-	-	-----	
5	28433-ZH8-003	GUIDE, RATCHET	-	1	1	-	-	-	-----	
6	28441-ZH8-003	SPRING, FRICTION	-	1	1	-	-	-	-----	
7	28442-ZH8-003	SPRING, RECOIL STARTER	-	1	1	-	-	-	-----	
8	28443-ZH8-003	SPRING, RETURN	-	2	2	-	-	-	-----	
9	28461-ZH8-003	GRIP, STARTER	-	1	1	-	-	-	-----	
10	28462-ZH8-003	ROPE, RECOIL STARTER	-	1	1	-	-	-	-----	
11	90003-ZH8-003	SCREW, SETTING	-	1	1	-	-	-	-----	
12	90008-ZE2-003	BOLT, FLANGE, 6X10	-	3	3	-	-	-	-----	

2



YB83-E1102A

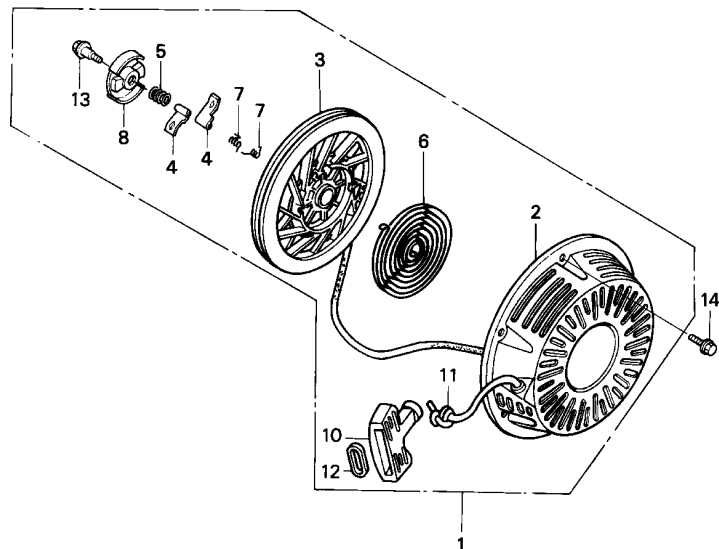
Service item	F.R.T.
STARTER ASSY., RECOIL	0.1
RATCHET, STARTER	0.2
REEL COMP., STARTER	0.3
.ROPE, STARTER	
.SPRING, RETURN	

Ref. No.	Part No.	Description	Reqd. QTY						Serial No.	Parts catalogue code
			WT 20X K1	WT 20X K2	WT 20X K3	WT 30X K1	WT 30X K2	WT 30X K3		
1	28400-ZE2-003ZA	STARTER ASSY., RECOIL *R8*.....BRIGHT RED	-	-	-	1	-	-		
2	28410-ZE2-003ZA	CASE COMP., RECOIL STARTER *R8*.....BRIGHT RED	-	-	-	1	-	-		
3	28420-889-631	REEL COMP., STARTER	-	-	-	1	-	-		
4	28422-ZE1-711	RATCHET, STARTER	-	-	-	1	-	-		
5	28423-ZE1-711	SHAFT, RATCHET	-	-	-	1	-	-		
6	28424-ZE1-711	PLATE, GUIDE	-	-	-	1	-	-		
7	28431-ZE1-711	PLATE A, FRICTION	-	-	-	1	-	-		
8	28432-ZG0-003	PLATE B, FRICTION	-	-	-	1	-	-		
9	28434-ZE1-711	COVER, STARTER REEL	-	-	-	1	-	-		
10	28441-ZE1-711	SPRING, FRICTION	-	-	-	1	-	-		
11	28442-ZE1-711	SPRING, RETURN	-	-	-	1	-	-		
12	28461-889-631	GRIP, STARTER	-	-	-	1	-	-		
13	28462-ZE2-003	ROPE, STARTER	-	-	-	1	-	-		
14	90003-ZG0-003	BOLT, REEL COVER	-	-	-	1	-	-		
15	90011-ZG0-000	BOLT, FLANGE, 6X8	-	-	-	3	-	-		

E-11-3

RECOIL STARTER(WT30XK2/K3)

D 8



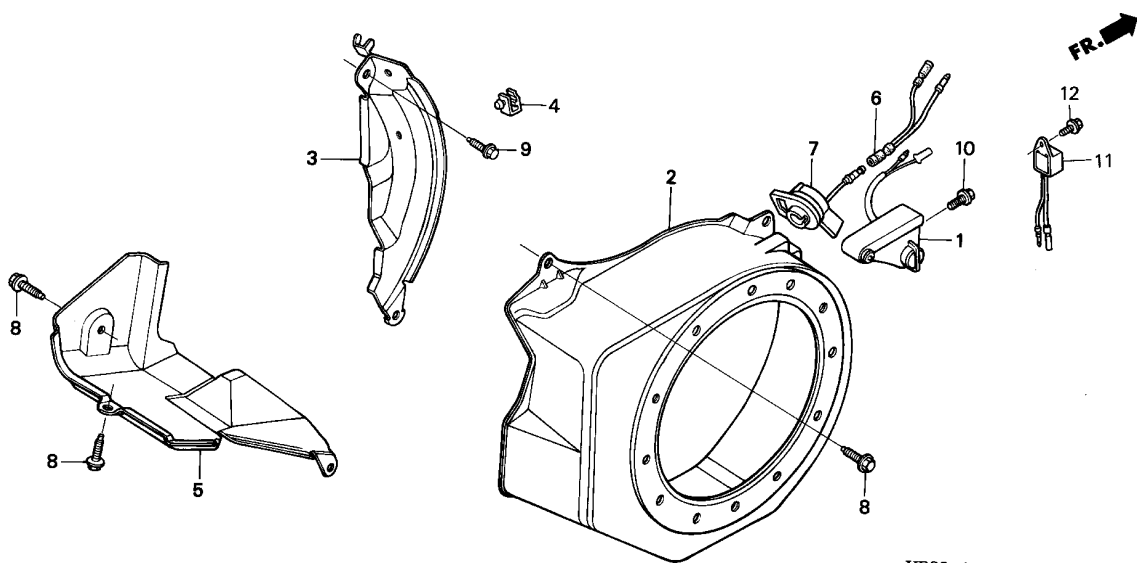
YB83-E1103A

Service item	F.R.T.
STARTER ASSY., RECOIL	0.1
RATCHET, STARTER	0.2
.SPRING, RATCHET	
PULLEY, RECOIL STARTER	0.3
.ROPE, RECOIL STARTER	
.SPRING, STARTER RETURN	

Ref. No.	Part No.	Description	Reqd. QTY						Serial No.	Parts catalogue code
			WT 20X K1	WT 20X K2	WT 20X K3	WT 30X K1	WT 30X K2	WT 30X K3		

1	28400-ZE2-W01ZA	STARTER ASSY., RECOIL *R8*.....BRIGHT RED	-	-	-	-	1	1		
2	28410-ZE2-W01ZA	CASE COMP., RECOIL STARTER *R8*.....BRIGHT RED	-	-	-	-	1	1		
3	28421-ZE2-W01	PULLEY, RECOIL STARTER	-	-	-	-	1	1		
4	28422-ZE2-W01	RATCHET, STARTER	-	-	-	-	2	2		
5	28441-ZE2-W01	SPRING, FRICTION	-	-	-	-	1	1		
6	28442-ZE2-W01	SPRING, STARTER RETURN	-	-	-	-	1	1		
7	28443-ZE2-W01	SPRING, RATCHET	-	-	-	-	2	2		
8	28444-ZE2-W01	RETAINER, SPRING	-	-	-	-	1	1		
10	28461-ZE2-W01	GRIP, STARTER	-	-	-	-	1	-	-----	3793540
	28461-ZE2-W02	-	-	-	-	1	-	3793541	
		-	-	-	-	-	1		
11	28462-ZE2-W01	ROPE, RECOIL STARTER	-	-	-	-	1	-	-----	3793540
	28462-ZE2-W11	-	-	-	-	1	-	3793541	
		-	-	-	-	-	1		
12	28469-ZE2-W01	GRIP, REINFORCEMENT	-	-	-	-	1	-	-----	3793540
13	90004-ZE2-W01	SCREW, CENTER	-	-	-	-	1	1		
14	90008-ZE2-003	BOLT, FLANGE, 6X10	-	-	-	-	3	3		

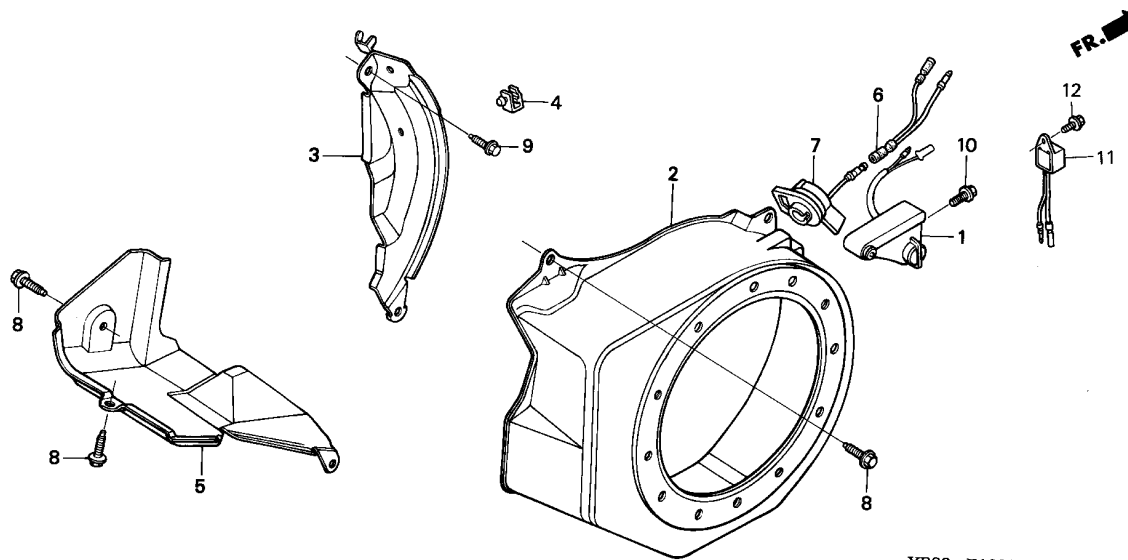
2



YB83-E1200A

Service item	F.R.T.
ALERT UNIT, OIL	0.1
.SHROUD COMP.	
.SUB HARNESS	
COVER COMP., FAN	0.2
.SWITCH ASSY., ENGINE STOP	
PLATE, SIDE	0.3

Ref. No.	Part No.	Description	Reqd. QTY						Serial No.	Parts catalogue code
			WT 20X K1	WT 20X K2	WT 20X K3	WT 30X K1	WT 30X K2	WT 30X K3		
1	15520-ZE1-003	ALERT UNIT, OIL	1	-	-	-	-	-	2468252 C,D	
2	19610-ZE1-810ZA	COVER COMP., FAN (OIL ALERT) *R8*.....BRIGHT RED	1	-	-	-	-	-	2468252 C,D	
	19610-ZE1-000ZA	COVER COMP., FAN *R8*.....BRIGHT RED	-	1	-	-	-	-	2468253	DE,UD C,D
3	19611-ZE1-810	PLATE, SIDE (OIL ALERT)	1	-	-	-	-	-	3172541	
	19612-ZH8-810	1	-	-	-	-	-	3172542	
	19612-ZH8-811	-	1	-	-	-	-	4795905 C,D,DE	
	19612-ZH8-812	PLATE, SIDE	-	-	1	-	-	-	5066322 C,D,DE	
	19611-ZH8-810	PLATE COMP., SIDE (OIL ALERT)	-	1	-	-	-	-	5066323	5372718 C,D,DE
			-	1	-	-	-	-	5372719	UD C,D,DE
4	19613-ZE1-000	CLAMPER, CORD	1	-	-	-	-	-	4368640 C,D,DE	
	90601-ZH7-013	CLIP, HARNESS	-	1	-	-	-	-	4368641	UD C,D,DE
			-	-	1	-	-	-		
5	19631-ZE1-000	SHROUD COMP.	1	-	-	-	-	-		
	19630-ZH8-000	-	1	1	-	-	-		
6	32197-ZH8-003	SUB HARNESS	-	1	-	-	-	-	4368640 DE	
			-	1	-	-	-	-	2468253	4368640 C,D
7	36100-ZE1-005	SWITCH ASSY., ENGINE STOP ...	1	-	-	-	-	-		



YB83-E1200A

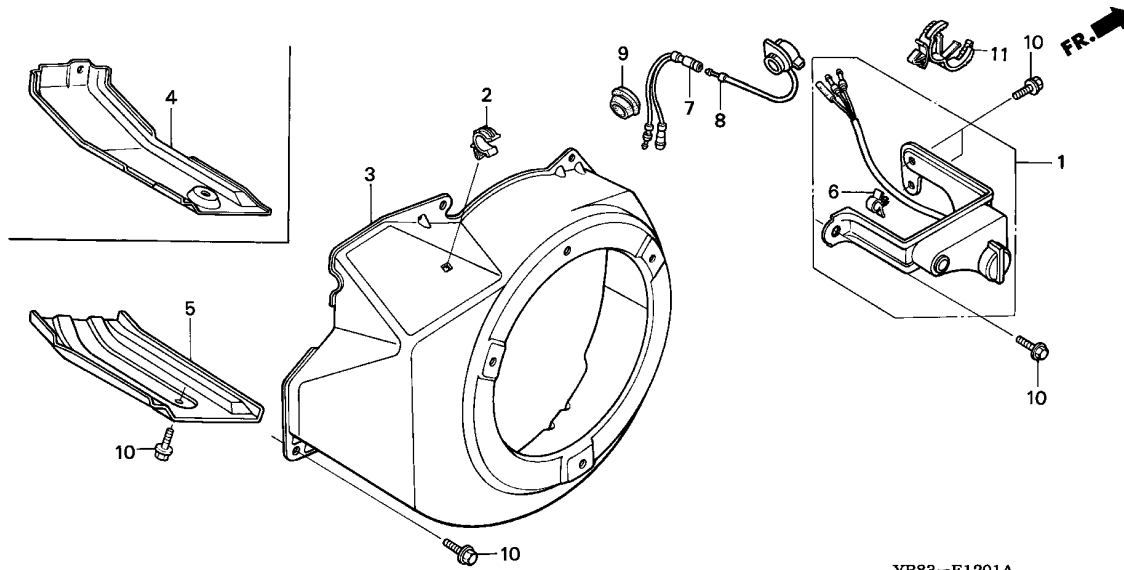
Ref. No.	Part No.	Description	Reqd. QTY						Serial No.	Parts catalogue code
			WT 20X K1	WT 20X K2	WT 20X K3	WT 30X K1	WT 30X K2	WT 30X K3		
(7)	36100-ZE1-015	SWITCH ASSY., ENGINE STOP ...	-	1	-	-	-	-	2468253	4368640 C,D
	36100-ZH8-W41	-	1	-	-	-	-	-----	4368640 DE
	36100-ZH7-W41	-	1	-	-	-	-	4368641	----- DE
		-	-	1	-	-	-	-----	----- DE
	36100-ZH7-003	-	1	1	-	-	-	-----	----- UD
		-	1	-	-	-	-	4368641	----- C,D
		-	-	1	-	-	-	-----	----- C,D
8	90013-883-000	BOLT, FLANGE, 6X12(CT200) ...	6	6	6	-	-	-		
9	90022-888-010	BOLT, FLANGE, 6X20(CT200) ...	1	1	1	-	-	-		
10	95701-06008-00	BOLT, FLANGE, 6X8	2	-	-	-	-	-		
		-	2	-	-	-	-	-----	2468252 C,D
11	34150-ZH7-003	ALERT UNIT, OIL	-	1	-	-	-	-	-----	----- UD
		-	1	-	-	-	-	5372719	----- C,D,DE
		-	-	1	-	-	-	-----	----- UD
12	95701-06008-00	BOLT, FLANGE, 6X8	-	1	-	-	-	-	5372719	----- C,D,DE
		-	-	1	-	-	-	-----	----- UD



E-12-1

FAN COVER(WT30XK1/K2/K3)

D11



Service item	F.R.T.
ALERT UNIT, OIL	0.1
.COVER COMP., FAN	
.SHROUD	
.SUB HARNESS	
SWITCH ASSY., ENGINE STOP	0.2

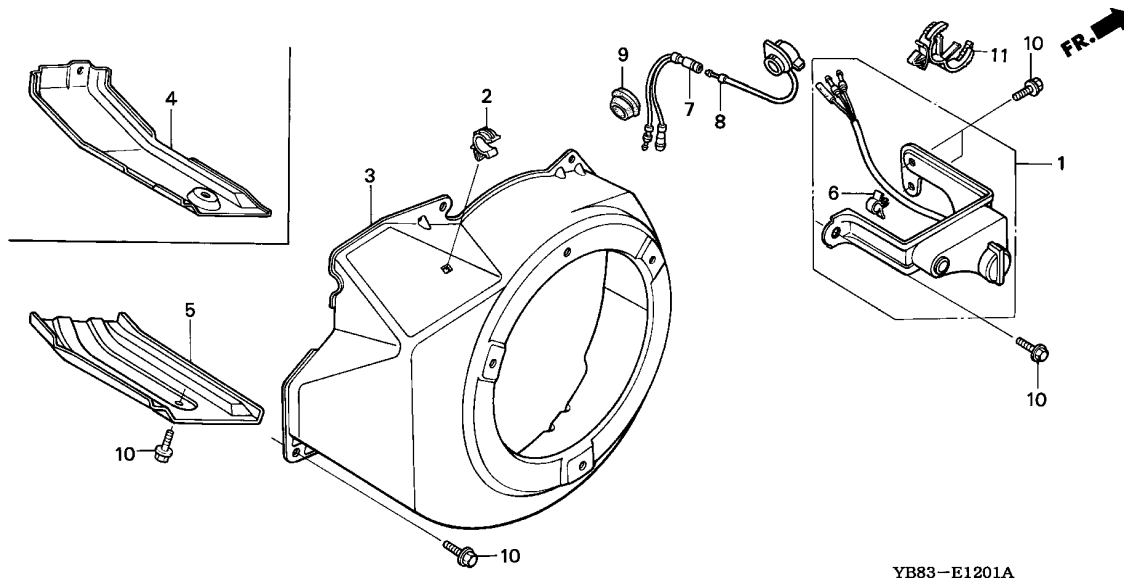
YB83-E1201A

Ref. No.	Part No.	Description	Reqd. QTY						Serial No.	Parts catalogue code
			WT 20X K1	WT 20X K2	WT 20X K3	WT 30X K1	WT 30X K2	WT 30X K3		
1	15520-ZE2-003	ALERT UNIT, OIL	-	-	-	1	-	-	----- 3116814 C,D	
2	16731-ZE2-003	CLIP, TUBE	-	-	-	1	1	1		
3	19610-ZE2-000ZA	COVER COMP., FAN								
		R8.....BRIGHT RED	-	-	-	1	-	-	----- 3139634 C,D	
	19610-ZE2-010ZA	*R8*.....BRIGHT RED	-	-	-	-	1	-	----- DE,UD	
			-	-	-	-	-	1	3139635 ----- C,D	
4	19631-ZE2-010	SHROUD	-	-	-	1	-	-		
5	19631-ZH9-000	SHROUD	-	-	-	-	1	-	----- 3531192 C,D,DE	
	19631-ZE2-D00	-	-	-	-	1	-	----- UD	
			-	-	-	-	1	-	3531193 ----- C,D,DE	
			-	-	-	-	-	1		
6	30701-883-000	CLIP, HIGH TENSION CORD (8MM)	-	-	-	1	-	-	----- 3116814 C,D	
7	32197-ZH8-003	SUB HARNESS	-	-	-	-	1	-	----- 3566259 DE	
			-	-	-	-	1	-	3116815 3566259 C,D	
8	36100-ZE1-015	SWITCH ASSY., ENGINE STOP ...	-	-	-	-	1	-	3116815 3566259 C,D	
	36100-ZH7-W41	-	-	-	-	1	-	3566260 ----- DE	
			-	-	-	-	-	1	----- DE,DE/A	
	36100-ZH7-003	-	-	-	-	1	1	----- C/A,D/A,UD,UD/A	
			-	-	-	-	1	-	3566260 ----- C,D	
			-	-	-	-	-	1	----- C,D	
9	81329-567-020	GROMMET, DRAIN HOLE	-	-	-	1	-	-	----- 3116814 C,D	
			-	-	-	-	1	-		

E-12-1

FAN COVER(WT30XK1/K2/K3)

D12



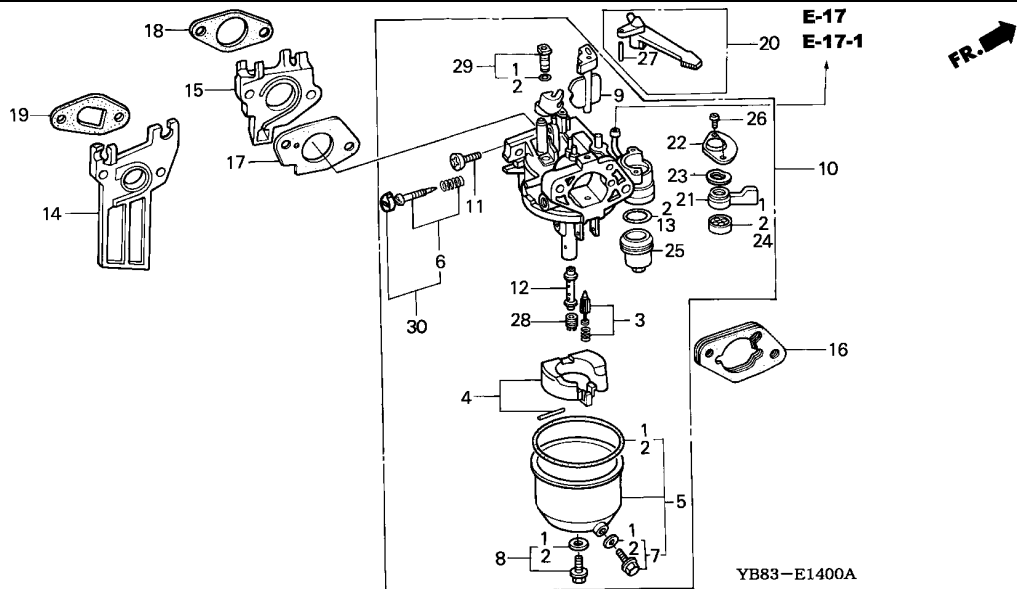
2

Ref. No.	Part No.	Description	Reqd. QTY						Serial No.	Parts catalogue code
			WT 20X K1	WT 20X K2	WT 20X K3	WT 30X K1	WT 30X K2	WT 30X K3		
10	90013-883-000	BOLT, FLANGE, 6X12(CT200) ...	-	-	-	9	-	6	-	-
			-	-	-	-	6	-	-----	DE,UD
			-	-	-	-	8	-	-----	3116814 C,D
			-	-	-	-	6	-	-----	3116815 C,D
11	90684-ZA0-601	CLIP, HARNESS	-	-	-	1	1	1		

E-14

CARBURETOR

D13



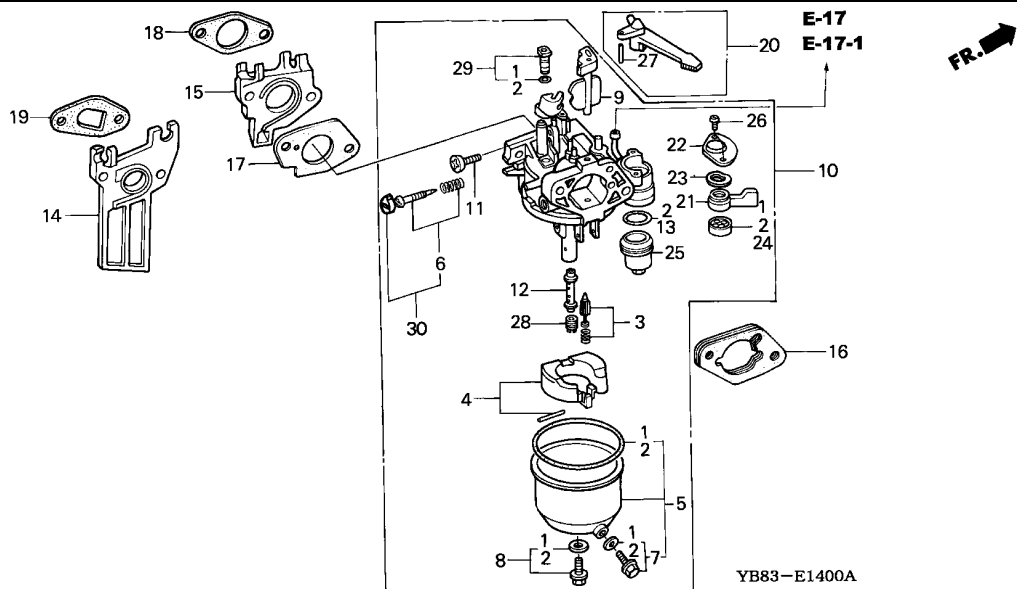
Service item	F.R.T.
CARBURETOR ASSY.	0.2
.INSULATOR, CARBURETOR	
.LEVER COMP., CHOKE	
.PACKING, CARBURETOR	
.PACKING, FUEL COCK	
.PACKING, INSULATOR	
.SCREW SET, PILOT	
FLOAT SET	0.3
.GASKET SET	
.JET, MAIN,	
.VALVE SET, FLOAT	

YB83-E1400A

Ref. No.	Part No.	Description	Reqd. QTY						Serial No.	Parts catalogue code
			WT 20X K1	WT 20X K2	WT 20X K3	WT 30X K1	WT 30X K2	WT 30X K3		
1	16010-ZE1-811	GASKET SET	1	-	-	-	-	-	BE05A D	
	16010-ZE1-812	(CARBURETOR NO.)	1	-	-	-	-	-	BE05A E	
	16010-ZE0-025	-	1	1	-	-	-		
2	16010-ZE2-811	GASKET SET	-	-	-	1	-	-	BE15B D	
	16010-ZE2-812	(CARBURETOR NO.)	-	-	-	1	-	-	BE15B E	
	16011-ZE0-005	-	-	-	-	1	1		
	16011-ZA0-931	-	-	-	1	1	1		
4	16013-ZE0-005	FLOAT SET	1	1	1	-	-	-		
	16013-ZA0-931	-	-	-	1	1	1		
5	16015-ZE1-811	CHAMBER SET, FLOAT	1	-	-	-	-	-		
	16015-ZE2-005	(CARBURETOR NO.)	-	1	-	-	-	-	BE06H B C,D,DE	
	16015-ZE0-831	(CARBURETOR NO.)	-	-	-	-	1	-	BE15G A C,D,DE	
	16015-ZE8-005	-	1	-	-	-	-	UD	
	16015-ZE1-811	(CARBURETOR NO.)	-	1	-	-	-	-	BE06H C	C,D,DE
	16015-ZE8-005	-	-	-	-	1	-	UD	
	16015-ZE1-811	(CARBURETOR NO.)	-	-	-	-	1	-	BE15G B	C,D,DE
	16015-ZE8-005	-	-	-	-	-	1		
6	16016-ZE0-005	SCREW SET, PILOT	1	-	-	-	1	1		
	16016-ZA0-931	(CARBURETOR NO.)	-	1	-	-	-	-	BE06H C	
7	16024-ZE1-811	SCREW SET, DRAIN	1	1	1	-	-	-		

Ref. No.	Part No.	Description	Reqd. QTY						Serial No.	Parts catalogue code
			WT 20X K1	WT 20X K2	WT 20X K3	WT 30X K1	WT 30X K2	WT 30X K3		
8	16028-ZE0-005	SCREW SET	1	1	1	1	1	1		
9	16044-ZE0-005	CHOKE SET	1	1	-	-	-	-		
		(CARBURETOR NO.)	-	1	-	-	-	-	----- DE,UD BE06H B ----- C,D	
	16044-ZE2-005	-	-	-	1	1	1		
10	16100-ZE1-035	CARBURETOR ASSY. (BE05A D) ..	1	-	-	-	-	-		
	16100-ZE1-045	CARBURETOR ASSY. (BE05A E) ..	1	-	-	-	-	-		
	16100-ZH8-810	CARBURETOR ASSY. (BE06H A) ..	-	1	-	-	-	-	----- 2904816 C,D	
	16100-ZE2-813	CARBURETOR ASSY. (BE15B D) ..	-	-	-	1	-	-		
	16100-ZE2-814	CARBURETOR ASSY. (BE15B E) ..	-	-	-	1	-	-		
	16100-ZH8-811	CARBURETOR ASSY. (BE06H B) ..	-	1	-	-	-	-	----- 4012407 DE 2904817 4012407 C,D	
	16100-ZE2-W30	CARBURETOR ASSY. (BE15G A) ..	-	-	-	-	1	-	----- 3453255 C,D,DE	
	16100-ZH8-812	CARBURETOR ASSY. (BE06H C) ..	-	1	-	-	-	-	----- 6276049 UD	
	16100-ZE2-W31	CARBURETOR ASSY. (BE15G B) ..	-	-	-	-	1	-	4012408 6276049 C,D,DE	
			-	-	-	-	-	1	----- UD	
			-	-	-	-	1	-	3453256 ----- C,D,DE	
	16100-ZH8-W41	CARBURETOR ASSY. (BE66D B) ..	-	1	-	-	-	-	6276050	
			-	-	1	-	-	-		
11	16124-ZE0-005	SCREW, THROTTLE STOP	1	1	1	1	1	1		
12	16166-ZE1-005	NOZZLE, MAIN	1	-	-	-	-	-		
	16166-ZH8-810	-	1	-	-	-	-	----- BE06H A C,D	
	16166-ZE2-015	-	-	-	1	1	1		
	16166-ZH8-W50	-	1	-	-	-	-	----- DE,UD	
		(CARBURETOR NO.)	-	1	-	-	-	-	BE06H B ----- C,D	
			-	-	1	-	-	-		
13	16173-001-004	PACKING, FUEL STRAINER CUP ..	-	-	-	1	1	1		
14	16211-ZE1-000	INSULATOR, CARBURETOR	1	1	1	-	-	-		
15	16211-ZE2-000	INSULATOR, CARBURETOR	-	-	-	1	1	1		
16	16220-ZE1-020	SPACER COMP., CARBURETOR	1	1	1	-	-	-		
	16220-ZA0-701	-	-	-	1	-	-	----- 1160853	
	16220-ZA0-702	-	-	-	1	-	-	1160854	
			-	-	-	-	1	1		
17	16221-ZE1-000	PACKING, CARBURETOR	1	-	-	-	-	-		
	16221-ZH8-801	-	1	1	-	-	-		
	16221-ZA0-700	-	-	-	1	-	-		
	16221-ZA0-800	-	-	-	-	1	1		
18	16223-ZA0-700	PACKING, INSULATOR	-	-	-	1	-	-		
	16223-ZA0-800	-	-	-	-	1	1		
19	16223-ZE1-000	PACKING, INSULATOR	1	-	-	-	-	-		
	16212-ZH8-800	-	1	1	-	-	-		
20	16610-ZE1-000	LEVER COMP., CHOKE (STD.) ...	1	1	1	1	1	1		
21	16953-ZE1-811	LEVER, COCK	1	-	-	1	-	-		
	16953-ZE1-812	-	1	1	-	1	1		
22	16954-ZE1-812	PLATE, LEVER SETTING	-	1	1	-	1	1		
23	16956-ZE1-811	SPRING, COCK LEVER	1	1	1	1	1	1		
24	16957-ZE1-811	PACKING, FUEL COCK	1	-	-	-	-	-		
		(CARBURETOR NO.)	1	-	-	-	-	-	----- BE05A D	
		///	-	-	-	1	-	-	----- BE15B D	
	16957-ZE1-812	1	-	-	-	-	-	BE05A E	
		(CARBURETOR NO.)	-	1	1	-	1	1		
		(CARBURETOR NO.)	-	-	-	1	-	-	BE15B E	

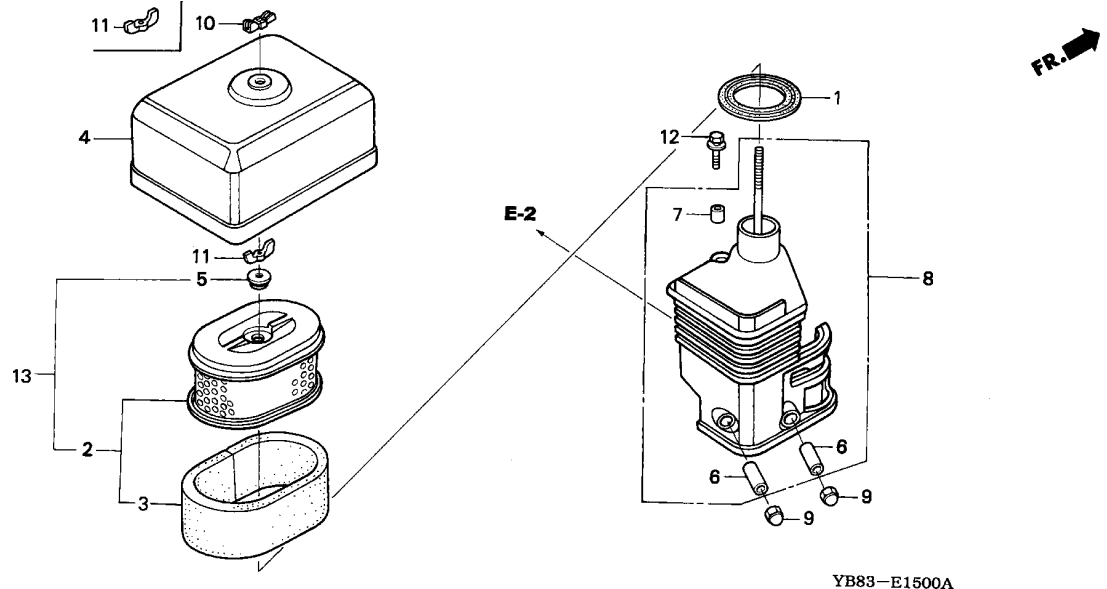




Ref. No.	Part No.	Description	Reqd. QTY						Serial No.	Parts catalogue code
			WT 20X K1	WT 20X K2	WT 20X K3	WT 30X K1	WT 30X K2	WT 30X K3		
25	16967-ZE0-811	CUP, FUEL STRAINER	-	-	-	1	1	1		
26	93500-03008-0H	SCREW, PAN, 3X8	2	-	-	-	-	-	BE05A D	
	93500-03008-1H	(CARBURETOR NO.)	-	-	-	2	-	-	BE15B D	
	93500-03008-1G	(CARBURETOR NO.)	2	-	-	-	-	-	BE05A E	
	///	///	-	2	-	-	-	-	BE06H A C,D,DE	
	///	///	-	-	-	2	-	-	BE15B E	
	///	///	-	-	-	-	2	-	BE15G A C,D,DE	
93500-03006-1H	SCREW, PAN, 3X6	(CARBURETOR NO.)	-	2	-	-	2	-	BE06H C	UD
	///	///	-	2	-	-	-	-	BE06H C	C,D,DE
	///	///	-	-	2	-	-	2	BE15G B	C,D,DE
27	94305-20122	PIN, SPRING, 2X12	1	1	1	1	1	1		
28	99101-124-0620	JET, MAIN, #62	(1)	-	-	-	-	-		
	99101-124-0650	JET, MAIN, #65	(1)	-	-	-	-	-		
	99101-124-0680	JET, MAIN, #68	1	-	-	-	-	-		
	99101-ZF5-0680	(CARBURETOR NO.)	-	(1)	-	-	-	-	BE06H A C,D	
	99101-ZF5-0700	JET, MAIN, #70	-	(1)	-	-	-	-	BE06H A C,D	
	99101-ZF5-0720	JET, MAIN, #72	-	1	-	-	-	-	BE06H A C,D	
	99101-ZH7-0650	JET, MAIN, #65	-	(1)	-	-	-	-	BE06H B DE	
	///	///	-	(1)	-	-	-	-	BE06H B	BE06H B C,D

Ref. No.	Part No.	Description	Reqd. QTY						Serial No.	Parts catalogue code
			WT 20X K1	WT 20X K2	WT 20X K3	WT 30X K1	WT 30X K2	WT 30X K3		
28)	99101-ZH7-0680	JET, MAIN, #68 (CARBURETOR NO.)	-	(1)	-	-	-	-	----- BE06H B DE	
	99101-ZH7-0700	JET, MAIN, #70 (CARBURETOR NO.)	-	(1)	-	-	-	BE06H B	BE06H B C,D	
	99101-ZH8-0650	JET, MAIN, #65 (CARBURETOR NO.)	-	(1)	-	-	-	----- BE06H B DE	BE06H B C,D	
	99101-ZH8-0680	JET, MAIN, #68 (CARBURETOR NO.)	-	(1)	-	-	-	----- UD	----- C,D,DE	
	99101-ZH8-0700	JET, MAIN, #70 (CARBURETOR NO.)	-	(1)	-	-	-	----- UD	----- C,D,DE	
	99101-124-0820	JET, MAIN, #82	-	-	-	(1)	-	-	-	
	99101-124-0850	JET, MAIN, #85	-	-	-	(1)	-	-	-	
	99101-124-0880	JET, MAIN, #88	-	-	-	1	-	-	-	
	99101-ZH8-0800	JET, MAIN, #80	-	-	-	-	(1)	(1)	-	
	99101-ZH8-0820	JET, MAIN, #82	-	-	-	-	(1)	(1)	-	
	99101-ZH8-0850	JET, MAIN, #85	-	-	-	-	1	1	-	
29	99204-ZE0-0380	JET SET, PILOT, #38 (CARBURETOR NO.)	-	1	-	-	-	-	----- BE06H A C,D	
	99204-ZE2-0380	-	-	-	1	1	1	-	
	99204-ZE0-0350	JET SET, PILOT, #35 (CARBURETOR NO.)	-	1	-	-	-	-	----- DE,UD	
	16016-ZH7-W01	SCREW SET (CARBURETOR NO.)	-	1	-	-	-	-	----- C,D	
			-	-	1	-	-	-	BE66D B	





Service item	F.R.T.
ELBOW COMP., AIR CLEANER	0.1
.ELEMENT, AIR CLEANER	
.FILTER, OUTER	

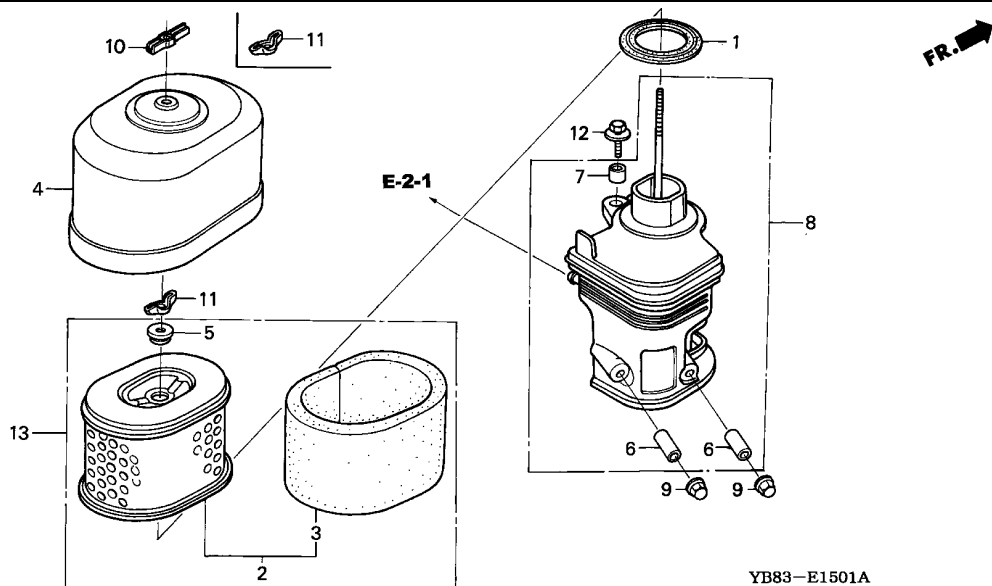
Ref. No.	Part No.	Description	Reqd. QTY						Serial No.	Parts catalogue code
			WT 20X K1	WT 20X K2	WT 20X K3	WT 30X K1	WT 30X K2	WT 30X K3		
1	16271-ZE1-000	PACKING, ELBOW	1	1	1	-	-	-	2115700	
2	17210-ZE1-821	ELEMENT, AIR CLEANER (DUAL)	1	-	-	-	-	-		
3	17218-ZE1-821	FILTER, OUTER	1	1	1	-	-	-		
4	17230-ZE1-820	COVER, AIR CLEANER (DUAL)	1	1	1	-	-	-		
5	17232-891-000	GROMMET, AIR CLEANER	1	1	1	-	-	-		
6	17238-ZE7-010	COLLAR, AIR CLEANER	2	2	2	-	-	-	2708121 C,D	
7	17239-ZE1-000	COLLAR B, AIR CLEANER	1	1	1	-	-	-		
8	17410-ZE1-020	ELBOW COMP., AIR CLEANER	1	1	1	-	-	-		
9	90201-415-000	NUT, CAP, 6MM	2	-	-	-	-	-	2708122 C,D	
	94050-06000	NUT, FLANGE, 6MM	-	2	-	-	-	-	DE,UD	
10	90203-PB2-000	NUT, AIR CLEANER COVER (DACRO COATING)	1	-	-	-	-	-	2708122 C,D	
	90203-ZA0-800	NUT, WING, 6MM(BLACK)	-	1	-	-	-	-	2468252 C,D	
			-	1	-	-	-	-	2468253 2836833 C,D	
11	90325-044-000	NUT, TOOL BOX SETTING	1	-	2	-	-	-	2708121 C,D	
			-	1	-	-	-	-	2836833 C,D	
			-	2	-	-	-	-	DE	
			-	2	-	-	-	-	UD	
			-	2	-	-	-	-	2836834 C,D	
12	93494-06020-08	BOLT-WASHER, 6X20	1	-	-	-	-	-	3385101 C,D	
	93404-06020-08	-	1	-	-	-	-	3385101 C,D	
	95701-06020-00	BOLT, FLANGE, 6X20	-	1	-	-	-	-	DE,UD	
			-	1	-	-	-	-	3385102 C,D	
			-	-	1	-	-	-		

2

E-15-1

AIR CLEANER(WT30XK1/K2/K3)

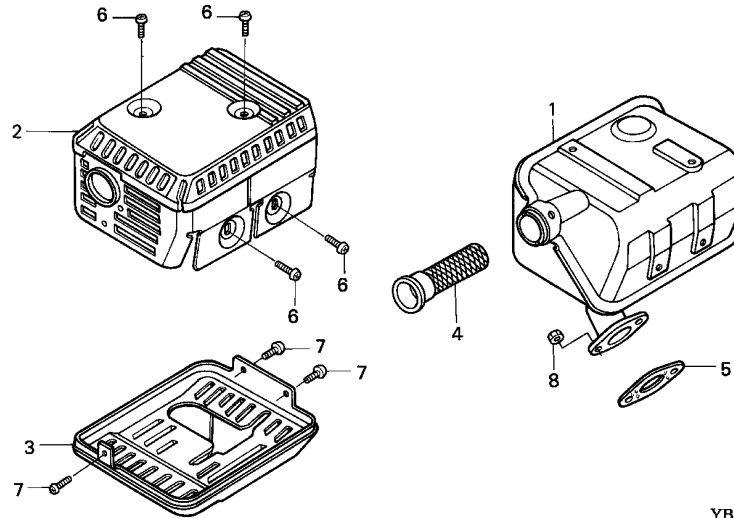
E 3



Service item	F.R.T.
ELBOW COMP., AIR CLEANER	0.1
ELEMENT, AIR CLEANER	
FILTER, OUTER	

Ref. No.	Part No.	Description	Reqd. QTY						Serial No.	Parts catalogue code
			WT 20X K1	WT 20X K2	WT 20X K3	WT 30X K1	WT 30X K2	WT 30X K3		
1	16271-ZE2-000	PACKING, ELBOW	-	-	-	1	1	1		
2	17210-ZE2-821	ELEMENT, AIR CLEANER (DUAL)	-	-	-	1	-	-		
3	17218-ZE2-821	FILTER, OUTER	-	-	-	1	1	1		
4	17230-ZE2-820	COVER, AIR CLEANER (DUAL)	-	-	-	1	1	1		
5	17232-891-000	GROMMET, AIR CLEANER	-	-	-	1	1	1		
6	17238-ZE2-310	COLLAR, AIR CLEANER	-	-	-	2	2	2		
7	17239-ZE1-000	COLLAR B, AIR CLEANER	-	-	-	1	1	1		
8	17410-ZE2-020	ELBOW COMP., AIR CLEANER	-	-	-	1	1	1		
9	90201-415-000	NUT, CAP, 6MM	-	-	-	2	-	-		
	94050-06000	NUT, FLANGE, 6MM	-	-	-	-	2	-	----- 3165927	C,D
			-	-	-	-	2	-	-----	DE,UD
			-	-	-	-	2	-	3165928	----- C,D
10	90203-PB2-000	NUT, AIR CLEANER COVER (DACRO COATING)	-	-	-	1	-	-		
	90203-ZA0-800	NUT, WING, 6MM(BLACK)	-	-	-	-	1	-	----- 3116850	C,D
			-	-	-	-	1	-	3116851	3268966 C,D
11	90325-044-000	NUT, TOOL BOX SETTING	-	-	-	-	1	-	-----	3268966 C,D
			-	-	-	1	-	2		
			-	-	-	-	2	-	-----	DE,UD
			-	-	-	-	2	-	3268967	----- C,D
12	93494-06020-08	BOLT-WASHER, 6X20	-	-	-	1	-	-		
	90009-ZE2-003	BOLT-WASHER, 6X22	-	-	-	-	1	1		
13	17210-ZE2-822	ELEMENT, AIR CLEANER (DUAL)	-	-	-	1	1	1		

2



YB83-E1600A

Service item	F.R.T.
ARRESTER, SPARK	0.2
.GASKET, MUFFLER	
.MUFFLER COMP.	
.PROTECTOR, MUFFLER	

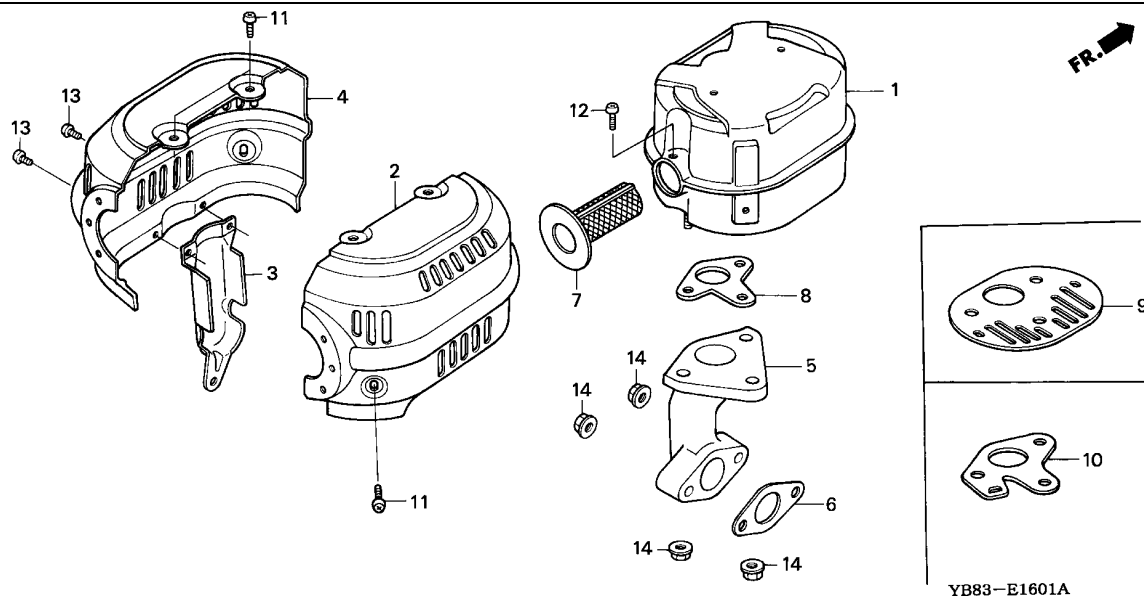
Ref. No.	Part No.	Description	Reqd. QTY						Serial No.	Parts catalogue code
			WT 20X K1	WT 20X K2	WT 20X K3	WT 30X K1	WT 30X K2	WT 30X K3		
1	18310-ZE1-010	MUFFLER COMP. (STD.)	1	-	-	-	-	-		
	18310-ZE1-811	MUFFLER COMP. (ARRESTER)	(1)	-	-	-	-	-	-----	C
	18310-ZF1-000	MUFFLER COMP.	-	1	1	-	-	-		
2	18320-ZE1-000	PROTECTOR, UPPER	1	-	-	-	-	-		
	18320-ZH8-W00	PROTECTOR, MUFFLER								
		(ALUMINAIZED)	-	1	-	-	-	-	-----	3289202 C,D
	18320-ZH8-W01	-	1	-	-	-	-	-----	DE,UD
			-	1	-	-	-	-	3289203	----- C,D
3	18325-ZE1-000	PROTECTOR, LOWER	1	-	-	-	-	-	-----	1999055 D
	18325-ZE1-010	1	-	-	-	-	-	1999056	----- D
4	18355-ZE1-000	ARRESTER, SPARK	(1)	-	-	-	-	-	-----	C
5	18381-ZE1-000	GASKET, MUFFLER	1	-	-	-	-	-		
	18381-ZH8-800	-	1	1	-	-	-		
6	90050-ZE1-000	SCREW, TAPPING, 5X8	4	4	4	-	-	-		
7	90055-ZE1-000	SCREW, TAPPING, 4X6	3	-	-	-	-	-	-----	D
8	94001-08000-0S	NUT, HEX., 8MM	2	2	2	-	-	-		



E-16-1

MUFFLER(WT30XK1/K2/K3)

E 5



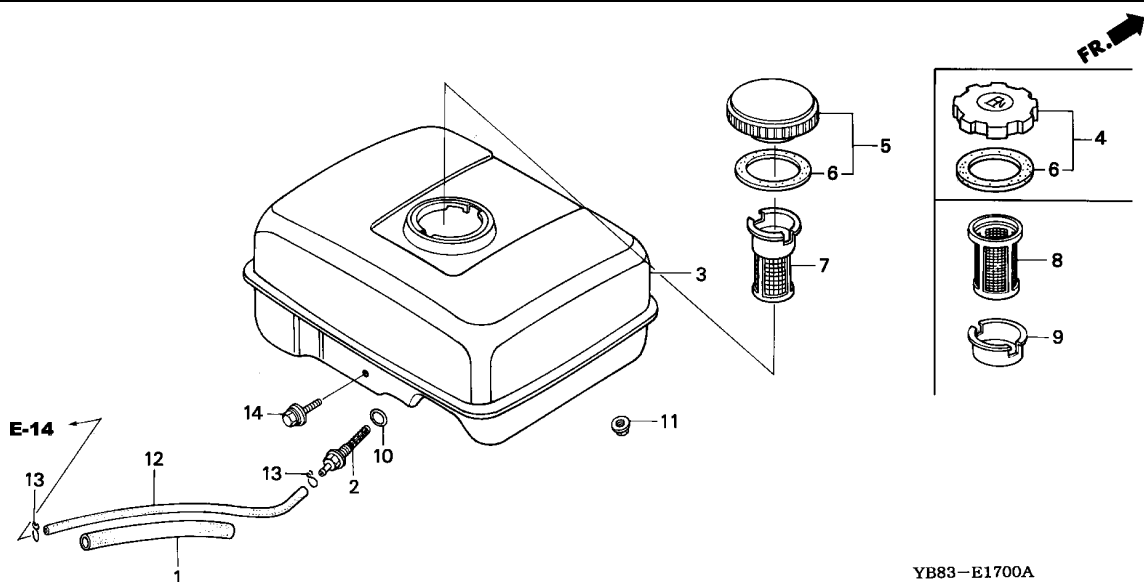
Service item	F.R.T.
ARRESTER, SPARK	0.2
.GASKET, EX. PIPE	
.GASKET, MUFFLER	
.MUFFLER COMP.	
.PIPE, EX.	
.PROTECTOR, L. MUFFLER	
.PROTECTOR, R. MUFFLER	

Ref. No.	Part No.	Description	Reqd. QTY						Serial No.	Parts catalogue code
			WT 20X K1	WT 20X K2	WT 20X K3	WT 30X K1	WT 30X K2	WT 30X K3		
1	18310-ZE2-013	MUFFLER COMP.	-	-	-	1	1	1		
2	18320-ZE2-003	PROTECTOR, R. MUFFLER	-	-	-	1	-	-		
	18320-ZE2-G30	PROTECTOR, R. MUFFLER (ALUMINAIZED)	-	-	-	-	1	1		
3	18323-ZE2-811	PROTECTOR, EX. PIPE	-	-	-	1	-	-	-----	D
			-	-	-	1	-	-	-----	3048258 C
4	18325-ZE2-003	PROTECTOR, L. MUFFLER	-	-	-	1	-	-		
	18325-ZE2-G30	PROTECTOR, L. MUFFLER (ALUMINAIZED)	-	-	-	-	1	1		
5	18330-ZE2-000	PIPE, EX.	-	-	-	1	1	1		
6	18333-ZE3-000	GASKET, EX. PIPE	-	-	-	1	-	-		
	18333-ZE3-800	-	-	-	-	1	1		
7	18355-ZE2-010	ARRESTER, SPARK	-	-	-	(1)	-	-	-----	C
			-	-	-	-	(1)	(1)	-----	
8	18381-ZE2-000	GASKET, MUFFLER	-	-	-	1	-	-	-----	C
	18381-ZE2-800	-	-	-	-	1	1	-----	
9	18381-ZE2-810	GASKET, MUFFLER (UNDER PROTECTOR)	-	-	-	(1)	-	-	-----	D
10	18381-ZE2-820	GASKET, MUFFLER (ARRESTER) ..	-	-	-	(1)	-	-	-----	
	18381-ZE2-W10	-	-	-	-	(1)	(1)	-----	
11	90050-ZE1-000	SCREW, TAPPING, 5X8	-	-	-	6	6	6		
12	90055-ZE1-000	SCREW, TAPPING, 4X6	-	-	-	(1)	-	-	-----	C
			-	-	-	-	(1)	(1)	-----	
13	93500-05008-0B	SCREW, PAN, 5X8	-	-	-	2	-	-	-----	D
			-	-	-	2	-	-	-----	3048258 C
14	94050-08000	NUT, FLANGE, 8MM	-	-	-	5	5	5		

E-17

FUEL TANK(WT20XK1/K2/K3)

E 6



Service item	F.R.T.
FILTER, FUEL	0.1
JOINT, FUEL TANK	0.2
O-RING, 14MM	
TANK COMP., FUEL	
TUBE, FUEL, 4.5X140	

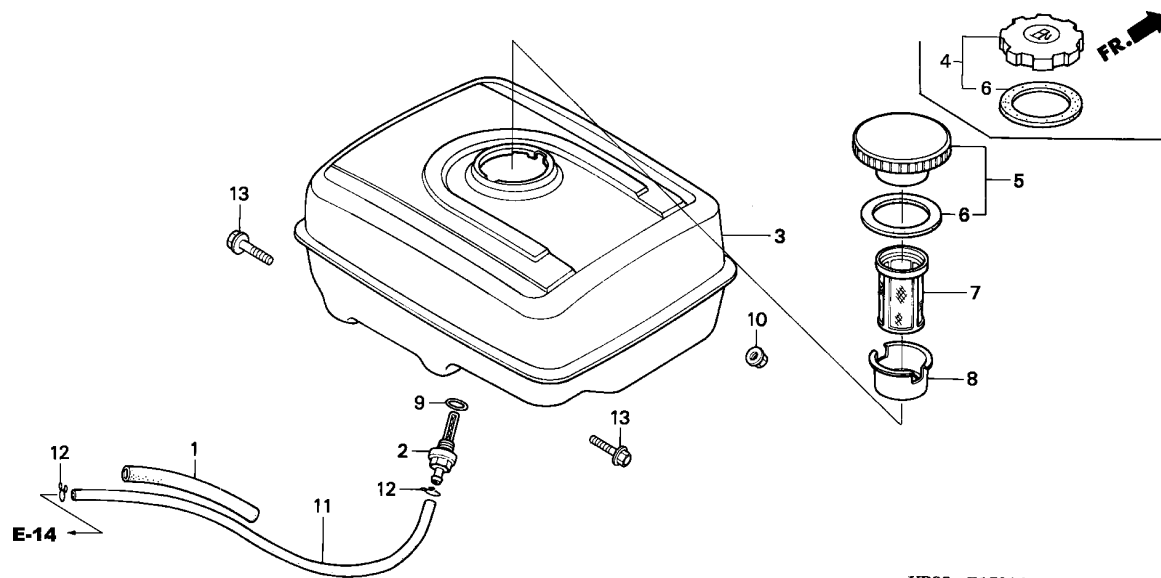
Ref. No.	Part No.	Description	Reqd. QTY						Serial No.	Parts catalogue code
			WT 20X K1	WT 20X K2	WT 20X K3	WT 30X K1	WT 30X K2	WT 30X K3		
1	16854-ZE1-000	RUBBER, SUPPORTER (107MM) ...	1	-	-	-	-	-	3201952	
	16854-ZH8-000	1	-	-	-	-	-	3201953	
2	16955-ZE1-000	JOINT, FUEL TANK	1	1	1	-	-	-		
3	17510-ZE1-000ZC	TANK COMP., FUEL								
	NH31	MCKINLEY WHITE	1	-	-	-	-	-		
	17510-ZE1-010ZA	*NH31*.....MCKINLEY WHITE	1	-	-	-	-	-	3033315	
	17510-ZE1-020ZA	*NH31*.....MCKINLEY WHITE	1	-	-	-	-	-	3033316	
4	17620-ZH7-013	CAP COMP., FUEL FILLER	-	1	-	-	-	-	4705772 DE	
	17620-ZH7-023	-	1	-	-	-	-	3063878 4705772 C,D	
	17620-ZH7-023	-	1	-	-	-	-	4705773 UD	
	17620-ZH7-023	-	1	-	-	-	-	4705773 C,D,DE	
5	17620-890-000	CAP COMP., FUEL FILLER	1	-	-	-	-	-	2115700	
	17620-890-010	1	-	-	-	-	-	2115701	
	17620-ZE2-W00	-	1	-	-	-	-	3063877 C,D	
6	17631-329-003	PACKING, FUEL FILLER CAP	1	-	-	-	-	-		
	17631-329-003	-	1	-	-	-	-	3063877 C,D	
	17631-ZH7-003	-	1	-	-	-	-	DE,UD	
	17631-ZH7-003	-	1	-	-	-	-	3063878 C,D	
7	17672-ZE2-W01	FILTER, FUEL	-	(1)	-	-	-	-		DE,UD
	17672-ZE2-W01	-	(1)	-	-	-	-	2827377 C,D	
8	17672-880-000	FILTER, FUEL	1	-	(1)	-	-	-		D
	17672-880-000	(1)	-	-	-	-	-		C
	17672-880-000	-	(1)	-	-	-	-		2827376 C,D

2

E-17-1

FUEL TANK(WT30XK1/K2/K3)

E 8

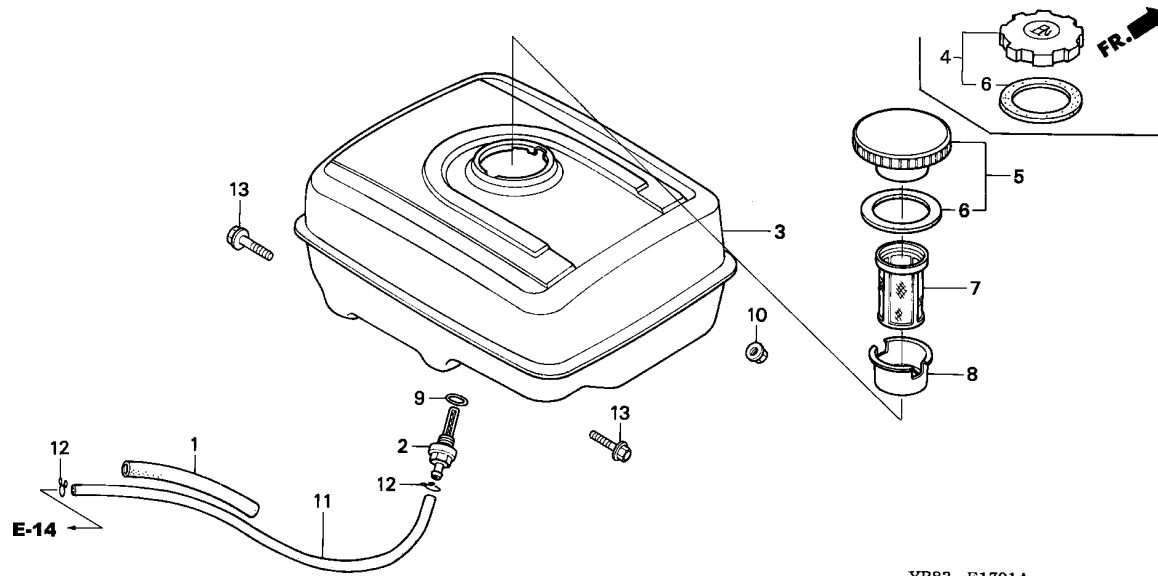


YB83-E1701A

Service item	F.R.T.
FILTER, FUEL	0.1
JOINT, FUEL TANK	0.2
O-RING, 14MM	
TANK COMP., FUEL	
TUBE, FUEL, 4.5X222	

Ref. No.	Part No.	Description	Reqd. QTY						Serial No.	Parts catalogue code
			WT 20X K1	WT 20X K2	WT 20X K3	WT 30X K1	WT 30X K2	WT 30X K3		
1	16854-ZE1-000	RUBBER, SUPPORTER (107MM) ...	-	-	-	1	-	-	1523056	
	16854-ZH8-000	-	-	-	1	-	-	1523057	
2	16955-ZE1-000	JOINT, FUEL TANK	-	-	-	1	1	1		
3	17510-ZE2-000ZA	TANK COMP., FUEL	-	-	-	1	-	-		
	NH31.....	MCKINLEY WHITE	-	-	-	1	-	-	1487905	
	17510-ZE2-010ZA	*NH31*.....	-	-	-	1	-	-	1487906	
			-	-	-	-	1	-		
4	17620-ZH7-013	CAP COMP., FUEL FILLER	-	-	-	-	1	-	3608569	DE
			-	-	-	-	1	-	3254424	3608569 C,D
	17620-ZH7-023	-	-	-	-	1	-		UD
			-	-	-	-	1	-	3608570	----- C,D,DE
			-	-	-	-	-	1		
5	17620-890-000	CAP COMP., FUEL FILLER	-	-	-	1	-	-		
	17620-890-010	-	-	-	1	-	-		
	17620-ZE2-W00	-	-	-	-	1	-	3254423	C,D
6	17631-329-003	PACKING, FUEL FILLER CAP	-	-	-	1	-	-		
			-	-	-	-	1	-	3254423	C,D
	17631-ZH7-003	-	-	-	-	1	-		DE,UD
			-	-	-	-	1	-	3254424	----- C,D
			-	-	-	-	-	1		
7	17672-880-000	FILTER, FUEL	-	-	-	1	-	-		D
8	17673-880-000	HOLDER, FUEL FILTER	-	-	-	1	-	-		D
9	91353-671-004	O-RING, 14MM(NOK)	-	-	-	1	1	1		
10	94050-08000	NUT, FLANGE, 8MM	-	-	-	2	2	2		
11	95001-45222-40	TUBE, FUEL, 4.5X222	-	-	-	1	1	1		
	(95001-45001-60M)		-	-	-	-	-	-		

2



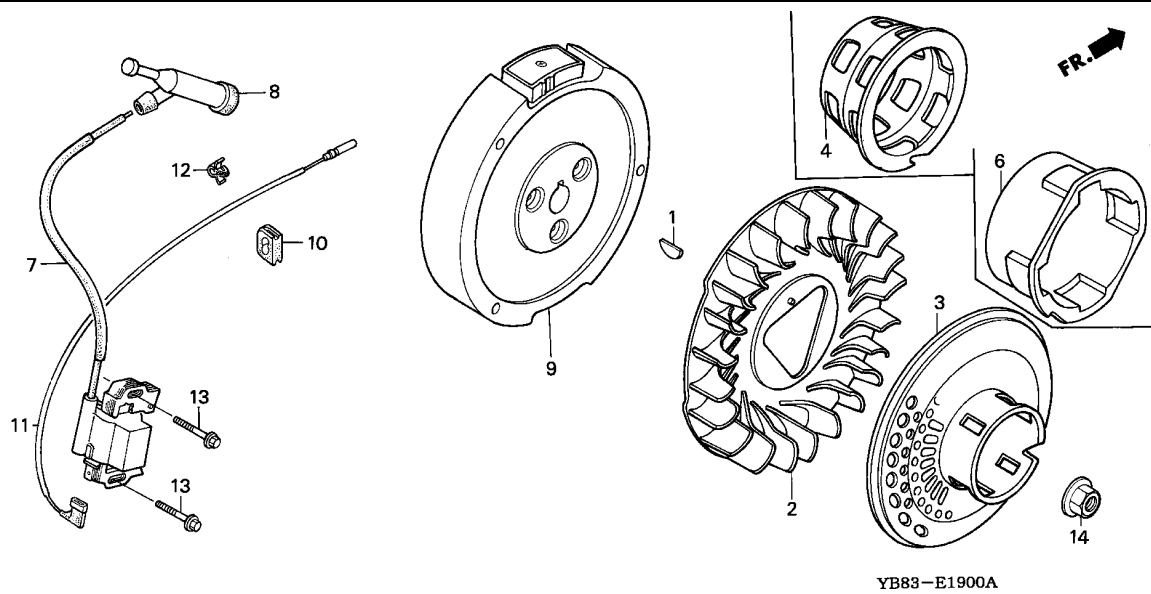
YB83-E1701A

Ref. No.	Part No.	Description	Reqd. QTY						Serial No.	Parts catalogue code
			WT 20X K1	WT 20X K2	WT 20X K3	WT 30X K1	WT 30X K2	WT 30X K3		
12	95002-02080	CLIP, TUBE (B8)	-	-	-	2	2	2		
13	95900-08025-00	BOLT, FLANGE, 8X25	-	-	-	2	-	-		
	95701-08025-00	-	-	-	-	2	2		

E-19

FLYWHEEL/IGNITION COIL

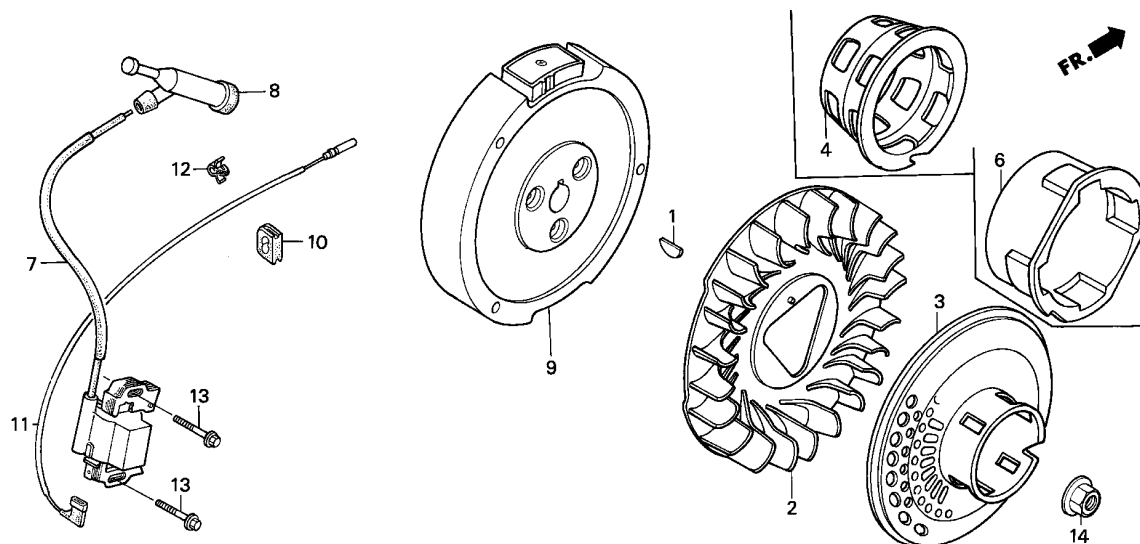
E10



Service item	F.R.T.
FAN, COOLING	0.2
.PULLEY COMP., STARTER	
.PULLEY, STARTER	
COIL ASSY., IGNITION	0.3
.CORD, STOP SWITCH	
.FLYWHEEL COMP.	

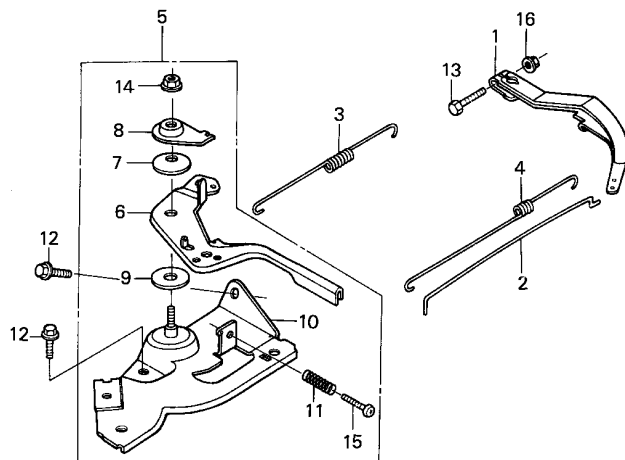
Ref. No.	Part No.	Description	Reqd. QTY						Serial No.	Parts catalogue code
			WT 20X K1	WT 20X K2	WT 20X K3	WT 30X K1	WT 30X K2	WT 30X K3		
1	13331-357-000	KEY, SPECIAL WOODRUFF, 25X18	1	1	1	-	-	-		
	90741-ZE2-000	-	-	-	1	1	1		
2	19511-ZE1-000	FAN, COOLING	1	1	1	-	-	-		
	19511-ZE2-000	-	-	-	1	1	1		
3	28450-ZE2-W11	PULLEY COMP., STARTER (SCREEN GRID)	-	-	-	-	-	1	1	
4	28451-ZE1-003	PULLEY, STARTER	1	-	-	-	-	-		
	28451-ZE2-003	-	-	-	1	-	-		
	28451-ZE2-W01	-	-	-	-	-	1		
6	28451-ZH8-003	PULLEY, STARTER	-	1	1	-	-	-		
7	30500-ZE1-013	COIL ASSY., IGNITION	1	-	-	-	-	-	----- 3155568	
	30500-ZE2-003	-	-	-	1	-	-	----- 1512433	
	30500-ZE1-023	1	-	-	-	-	-	----- 3155569	
	30500-ZE2-013	-	1	-	-	-	-	----- 3036974 C,D	
	30500-ZE1-033	-	1	-	-	-	-	----- 1512434	
	30500-ZE1-043	-	1	-	-	-	-	----- 8074561 DE,UD	
	30500-ZF6-W02	-	-	1	-	-	-	----- 3036975	
	30600-ZE1-013	TERMINAL ASSY., HIGH TENSION (NICHIIWA Y-EZ)	1	-	-	1	-	-	----- 8074562	
	30700-ZE1-013	CAP ASSY., NOISE SUPPRESSOR (NICHIIWA Y-EZ RTFM256)	1	-	-	1	-	-	----- ----- D	
	31100-ZE1-000	FLYWHEEL COMP.	1	-	1	-	1	1		
	31100-ZE1-010	-	1	1	-	-	-		
	31100-ZE2-000	-	-	-	1	-	-		
	31100-ZE2-010	-	-	-	-	1	1		





YB83-E1900A

Ref. No.	Part No.	Description	Reqd. QTY						Serial No.	Parts catalogue code
			WT 20X K1	WT 20X K2	WT 20X K3	WT 30X K1	WT 30X K2	WT 30X K3		
10	31512-ZE2-000	GROMMET, CORD	-	-	-	1	1	1		
11	36101-ZE1-000	CORD, STOP SWITCH (370MM) ...	1	-	-	-	-	-	-----	3155568
	36101-ZE2-000	CORD, STOP SWITCH	-	-	-	1	-	-	-----	1512433
	36101-ZE1-010	CORD, STOP SWITCH (370MM) ...	1	-	-	-	-	-	3155569	
			-	1	1	-	1	1		1512434
12	36103-ZE1-000	HOLDER, STOP SWITCH CORD	2	-	-	-	-	-	-----	1487105
			-	-	-	3	-	-	-----	1487106
			-	-	-	1	-	-		
13	90121-952-000	BOLT, FLANGE, 6X25	2	2	2	-	-	-		
	90015-883-000	BOLT, FLANGE, 6X28	-	-	-	2	2	2		
14	90201-878-003	NUT, SPECIAL, 14MM	1	1	1	-	-	-		
	90201-ZE3-790	NUT, SPECIAL, 16MM	-	-	-	-	1	-	-----	3467138 C,D,DE
			-	-	-	-	1	-	-----	UD
	90201-ZE3-V00	-	-	-	-	1	-	3467139	----- C,D,DE
			-	-	-	-	-	1		

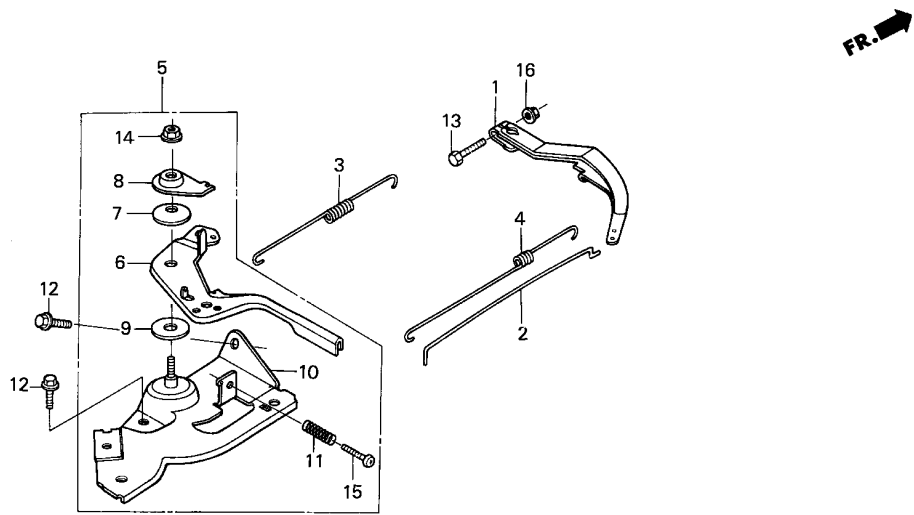


YB83-E2200A

Service item	F.R.T.
ARM, GOVERNOR	0.2
.CONTROL ASSY.	
.SPRING, GOVERNOR	
BASE COMP., CONTROL	0.3
.LEVER, CONTROL	
.ROD, GOVERNOR	
.SPRING, THROTTLE RETURN	

Ref. No.	Part No.	Description	Reqd. QTY						Serial No.	Parts catalogue code
			WT 20X K1	WT 20X K2	WT 20X K3	WT 30X K1	WT 30X K2	WT 30X K3		
1	16551-ZE1-010	ARM, GOVERNOR	1	-	-	-	-	-	3033315	
	16551-ZE0-010	1	-	-	-	-	-	3033316	
2	16555-ZE1-000	ROD, GOVERNOR	1	1	1	-	-	-		
3	16561-ZE1-020	SPRING, GOVERNOR	1	1	1	-	-	-		
4	16562-ZE1-020	SPRING, THROTTLE RETURN	1	1	1	-	-	-		
5	16570-ZE1-010	CONTROL ASSY. (STD.)	1	-	-	-	-	-	3172541	
	16500-ZH8-000	1	-	-	-	-	-	3172542	
	16500-ZH8-010	-	1	-	-	-	-	3403754 C,D	
		-	1	-	-	-	-	5551817 DE	
	16500-ZH8-020	CONTROL ASSY.	-	1	-	-	-	-	3403755	
		-	1	-	-	-	-	5551818	
	16500-ZH8-030	-	1	-	-	-	-	6331304 UD	
		-	1	-	-	-	-	6331304 C,D,DE	
		-	-	1	-	-	-	6331305	
6	16571-ZE1-010	LEVER, CONTROL	1	-	-	-	-	-	3172541	
	16571-ZH8-000	1	-	-	-	-	-	3172542	
		-	1	-	-	-	-	5551817 C,D,DE	
	16571-ZH8-010	-	1	-	-	-	-	6331304 UD	
		-	1	-	-	-	-	5551818	
	16571-ZH8-020	-	1	-	-	-	-	6331304 C,D,DE	
		-	1	-	-	-	-	6331305	
7	16574-ZE1-000	SPRING, LEVER	1	1	1	-	-	-		
8	16575-ZE1-000	WASHER, CONTROL LEVER	1	-	-	-	-	-	3172541	
	16575-ZH8-000	1	-	-	-	-	-	3172542	
		-	1	1	-	-	-		
9	16578-ZE1-000	SPACER, CONTROL LEVER	1	1	1	-	-	-		
10	16581-ZE1-000	BASE COMP., CONTROL	1	-	-	-	-	-	3172541	





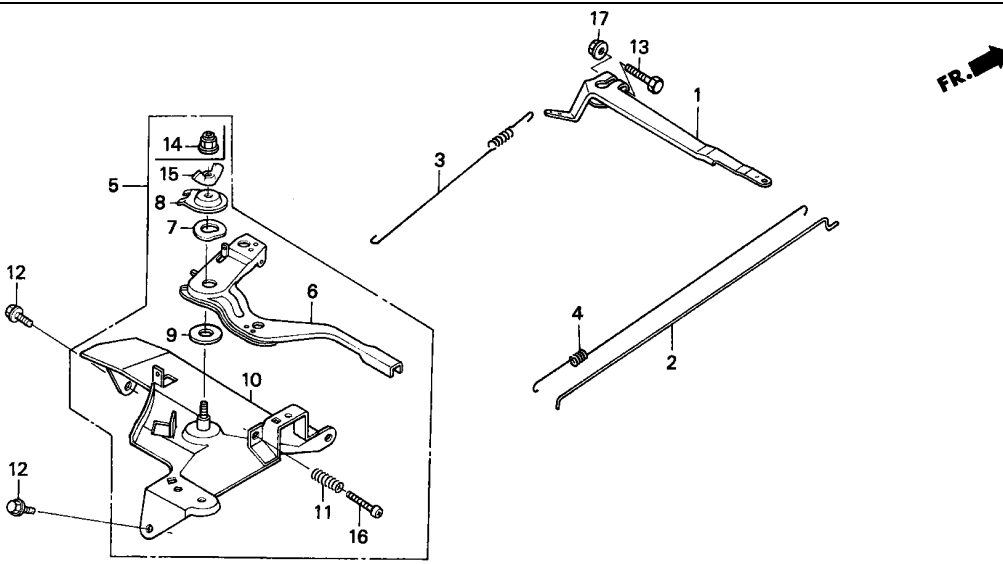
YB83-E2200A

Ref. No.	Part No.	Description	Reqd. QTY						Serial No.	Parts catalogue code
			WT 20X K1	WT 20X K2	WT 20X K3	WT 30X K1	WT 30X K2	WT 30X K3		
10)	16580-ZH8-000	BASE COMP., CONTROL	1	-	-	-	-	-	3172542	
	16580-ZH8-010	-	1	-	-	-	-	-----	3403754 C,D
	16580-ZH8-020	-	1	-	-	-	-	3403755	5551817 DE
	16580-ZH8-030	-	1	-	-	-	-	-----	5551817 C,D
			-	1	-	-	-	-	5551818	6331304 UD
			-	-	1	-	-	-	6331305	6331304 C,D,DE
11	16584-883-300	SPRING, CONTROL ADJUSTING ...	1	1	1	-	-	-		
12	90013-883-000	BOLT, FLANGE, 6X12(CT200) ...	2	2	2	-	-	-		
13	90015-ZE5-010	BOLT, GOVERNOR ARM	1	1	1	-	-	-		
14	90114-SAO-000	NUT, SELF-LOCK, 6MM	1	1	1	-	-	-		
15	93500-05020-OH	SCREW, PAN, 5X20	1	-	-	-	-	-	-----	2637583
	93500-05025-OA	SCREW, PAN, 5X25	1	-	-	-	-	-	2637584	
			-	1	1	-	-	-		
16	94050-06000	NUT, FLANGE, 6MM	1	1	1	-	-	-		

E-22-1

CONTROL(WT30XK1/K2/K3)

E14

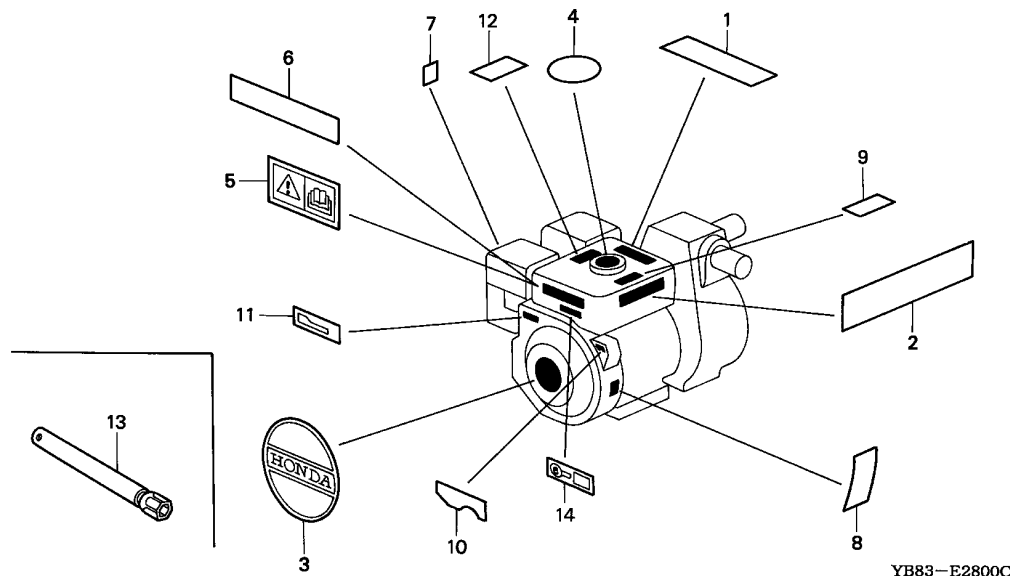


YB83-E2201A

Service item	F.R.T.
ARM, GOVERNOR	0.2
.CONTROL ASSY.	
.SPRING, GOVERNOR	
BASE COMP., CONTROL	0.3
.LEVER, CONTROL	
.ROD, GOVERNOR	
.SPRING, THROTTLE RETURN	

Ref. No.	Part No.	Description	Reqd. QTY						Serial No.	Parts catalogue code
			WT 20X K1	WT 20X K2	WT 20X K3	WT 30X K1	WT 30X K2	WT 30X K3		
1	16551-ZE2-000	ARM, GOVERNOR	-	-	-	1	1	1		
2	16555-ZE2-000	ROD, GOVERNOR	-	-	-	1	1	1		
3	16561-ZE2-000	SPRING, GOVERNOR	-	-	-	1	1	1		
4	16562-ZE2-000	SPRING, THROTTLE RETURN	-	-	-	1	1	1		
5	16570-ZE2-010	CONTROL ASSY.	-	-	-	1	-	-	-----	1519063
	16570-ZE2-W00	-	-	-	1	-	-	1519064	
		-	-	-	-	1	1		
6	16571-ZE2-000	LEVER, CONTROL	-	-	-	1	-	-	-----	1519063
	16571-ZE2-W00	-	-	-	1	-	-	1519064	
		-	-	-	-	1	1		
7	16574-ZE1-000	SPRING, LEVER	-	-	-	1	1	1		
8	16575-ZE2-000	WASHER, CONTROL LEVER	-	-	-	1	-	-	-----	1519063
	16575-ZE2-W00	-	-	-	1	-	-	1519064	
		-	-	-	-	1	1		
9	16578-ZE1-000	SPACER, CONTROL LEVER	-	-	-	1	1	1		
10	16581-ZE2-010	BASE COMP., CONTROL	-	-	-	1	-	-	-----	1519063
	16581-ZE2-W00	-	-	-	1	-	-	1519064	
		-	-	-	-	1	1		
11	16584-883-300	SPRING, CONTROL ADJUSTING ...	-	-	-	1	1	1		
12	90013-883-000	BOLT, FLANGE, 6X12(CT200) ...	-	-	-	2	2	2		
13	90015-ZE5-010	BOLT, GOVERNOR ARM	-	-	-	1	1	1		
14	90114-SA0-000	NUT, SELF-LOCK, 6MM	-	-	-	1	-	-	1519064	
		-	-	-	-	1	1		
15	90352-883-003	NUT, WING, 6MM	-	-	-	1	-	-	-----	1519063
16	93500-05028-0A	SCREW, PAN, 5X28	-	-	-	1	1	1		
17	94050-06000	NUT, FLANGE, 6MM	-	-	-	1	1	1		

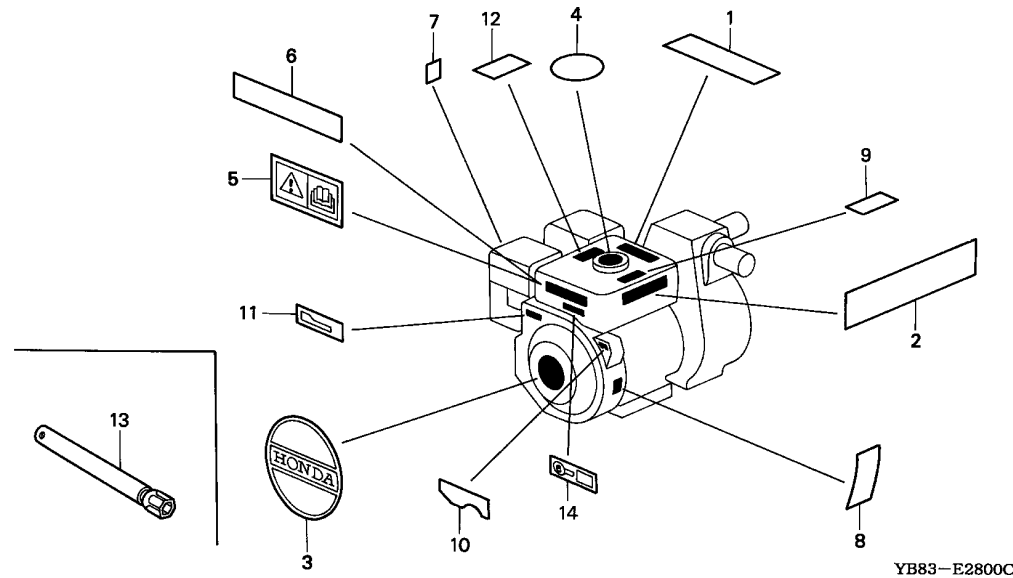
2



Service item F.R.T.
NOT INFORMATION

2

Ref. No.	Part No.	Description	Reqd. QTY						Serial No.	Parts catalogue code
			WT 20X K1	WT 20X K2	WT 20X K3	WT 30X K1	WT 30X K2	WT 30X K3		
1	78141-YB3-000	MARK, CAUTION (PUMP)	1	-	-	1	-	-	-----	D
	78141-YB3-610	1	-	-	1	-	-	-----	C
2	78145-YB1-700	MARK (WT20X)	1	-	-	-	-	-	2166499	3048258
	78145-YB2-700	MARK (WT30X)	-	-	-	1	-	-	2166500	3048259
	78145-YB1-701	MARK (WT20X)	1	-	-	-	-	-	2166500	3048259
	78145-YB2-701	MARK (WT30X)	-	-	-	1	-	-	3048259	
3	87521-ZE1-820	EMBLEM (5.0PS/4000RPM) (OIL ALERT)	1	-	-	-	-	-	-----	D
	87521-ZE1-830	EMBLEM (EXTERNAL-ALERT)	1	-	-	-	-	-	-----	C
	87521-ZH8-020	EMBLEM (5.5)	-	-	1	-	-	-	-----	D
	87521-ZE2-820	EMBLEM (INTERNAL-ALERT)	-	-	-	1	-	-	-----	C
	87521-ZE2-830	EMBLEM (EXTERNAL-ALERT)	-	-	-	1	-	-	-----	D
	87521-ZE2-W02	EMBLEM	-	-	-	-	1	-	-----	C
4	87522-ZE1-000	MARK, CAUTION	1	-	-	-	-	-	3175351	D
	87522-ZE1-810	1	-	-	1	-	-	-----	C
			-	1	-	-	-	-	3063877	C,D
			-	-	-	-	1	-	3254423	C,D
	87522-ZE1-010	LABEL, FUEL WARNING	1	-	-	-	-	-	3175352	D
5	87522-ZH8-W40	MARK, CAUTION	-	1	1	-	1	1	-----	DE,DE/A
6	87522-ZH9-010	LABEL, CAUTION	-	1	1	-	1	1	-----	C,C/A,D,D/A,UD,UD/A
7	87528-ZE1-000	MARK, CHOKE	1	-	-	-	-	-	-----	D
	87528-ZE1-810	1	1	1	-	-	-	-----	C,UD
			-	1	1	-	-	-	-----	D
	87528-733-E90	-	1	1	-	-	-	-----	DE
	87528-ZE2-000	MARK, CHOKE (INTERNAL)	-	-	-	1	-	-	-----	D
	87528-ZE2-810	MARK, CHOKE (ORANGE)	-	-	-	1	1	1	-----	C,C/A,D/A,UD,UD/A
			-	-	-	-	1	1	-----	D
	87528-ZF6-W40	MARK, CHOKE (WHITE)	-	-	-	-	1	1	-----	DE,DE/A



Ref. No.	Part No.	Description	Reqd. QTY						Serial No.	Parts catalogue code
			WT 20X K1	WT 20X K2	WT 20X K3	WT 30X K1	WT 30X K2	WT 30X K3		
8	87530-ZH8-810	LABEL, SPECIFICATION (5.5HP)	-	1	-	-	-	-	2709371	C,D
	87530-ZE2-W10	LABEL, SPECIFICATION (EXTERNAL)	-	-	-	-	1	-	3165402	C,D
9	87532-ZB4-G60	MARK, OIL ALERT (GERMAN)	-	-	-	-	1	-	3171791	C,D
	87532-ZB4-H50	MARK, OIL ALERT (FRENCH)	-	-	-	-	1	-	3171791	C,D
10	87532-ZE1-000	MARK, OIL ALERT (INTERNAL) ..	1	-	-	1	-	-	-	D
	87532-ZE1-810	MARK, OIL ALERT (EXTERNAL) ..	1	-	-	1	-	-	-	C
			-	1	-	-	-	-	2468253	C,D
			-	-	-	-	1	-	3116814	C,D
11	87532-ZH8-W40	MARK, THROTTLE INDICATION ...	-	1	1	-	1	1	-	DE,DE/A
12	87532-ZH8-810	MARK, OIL ALERT (EXTERNAL) ..	-	1	1	-	1	1	-	UD
			-	1	-	-	-	-	2468253	C,D
			-	-	1	-	-	1	-	C,C/A,D,D/A,UD/A
			-	-	-	-	1	-	3116815	C,D
13	89218-ZE1-000	WRENCH COMP., SPARK PLUG	1	-	(1)	1	-	(1)	-	C,D
			-	1	-	-	1	-	-	C,D
			-	(1)	-	-	(1)	-	-	DE,UD
14	87135-ZE2-000	LABEL (E-SPEC)	-	1	-	-	-	-	7493515	7975445
			-	-	-	-	1	-	4081617	4217821
	87135-ZE2-010	-	1	-	-	-	-	7975446	-
			-	-	1	-	-	1	-	-
			-	-	-	-	1	-	4217822	-

EOP-1

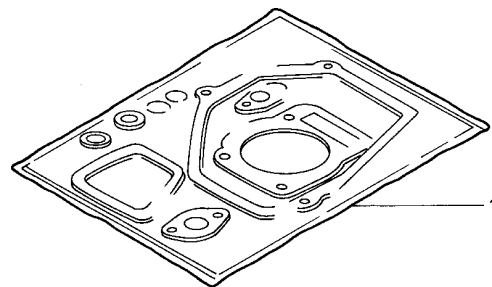
GASKET KIT

F 1

Service item

F.R.T.

NOT INFORMATION



HENG-X003

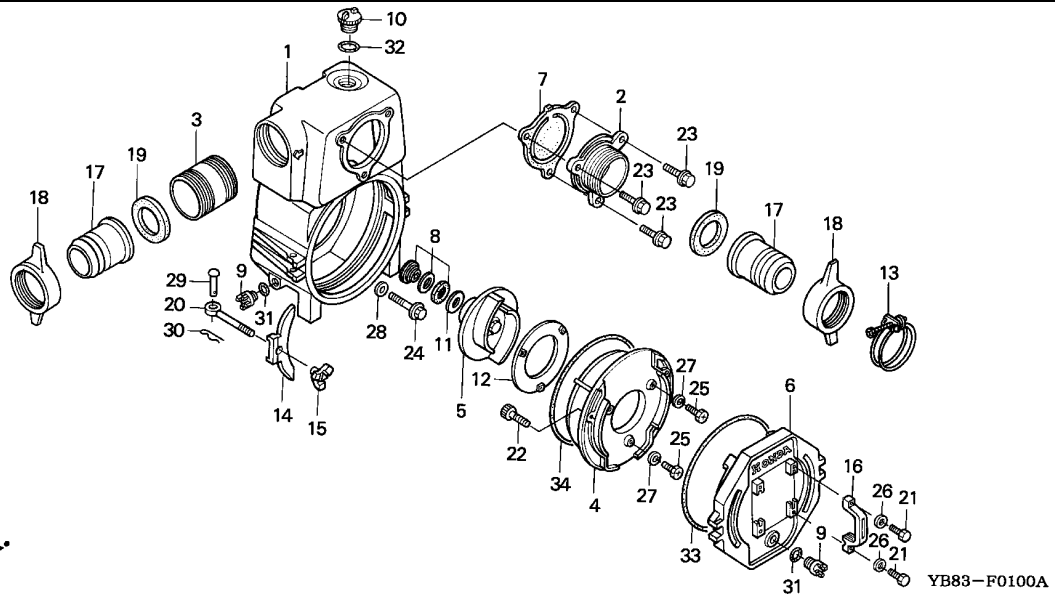
Ref. No.	Part No.	Description	Reqd. QTY						Serial No.	Parts catalogue code
			WT 20X K1	WT 20X K2	WT 20X K3	WT 30X K1	WT 30X K2	WT 30X K3		
1	061A1-ZE1-010	GASKET KIT	1	-	-	-	-	-		
	061A1-ZH8-700	-	1	-	-	-	-	----- 2966709	C,D
	061A1-ZH8-800	-	1	-	-	-	-	2966710 3413169	C,D
	061A1-ZH8-802	-	1	-	-	-	-	----- DE	
			-	1	-	-	-	-	3413170	----- C,D
	061A1-ZE2-020	-	-	-	1	-	-		
	061A1-ZE2-840	-	-	-	-	1	-	----- 4045100	DE
			-	-	-	-	-	1	2901133	3146326 C,D
	061B1-ZE2-020	-	-	-	-	1	-	----- 2901132	C,D

2

F-1

CASING(WT20XK1/K2/WT30XK1/K2)

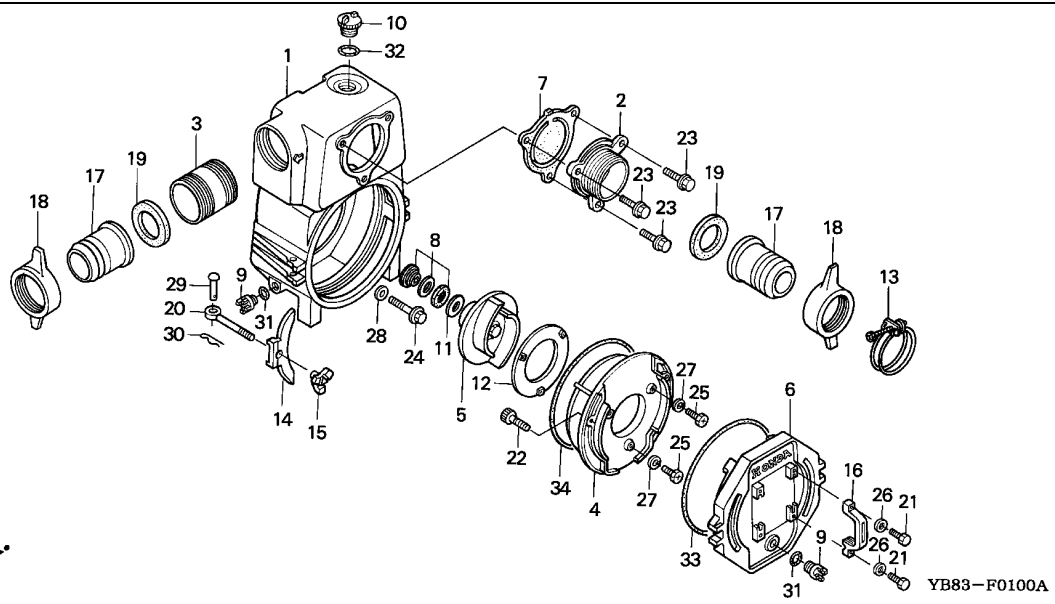
G 1



Service item	F.R.T.
PACKING, HOSE COUPLING	0.1
.VALVE, CHECK COVER, DRAIN	0.2
.O-RING, 5.7X239.3 CASE, VOLUTE	0.3
.IMPELLER .O-RING, 3.53X209.14 SEAL ASSY., MECHANICAL	0.4
CASING	0.6

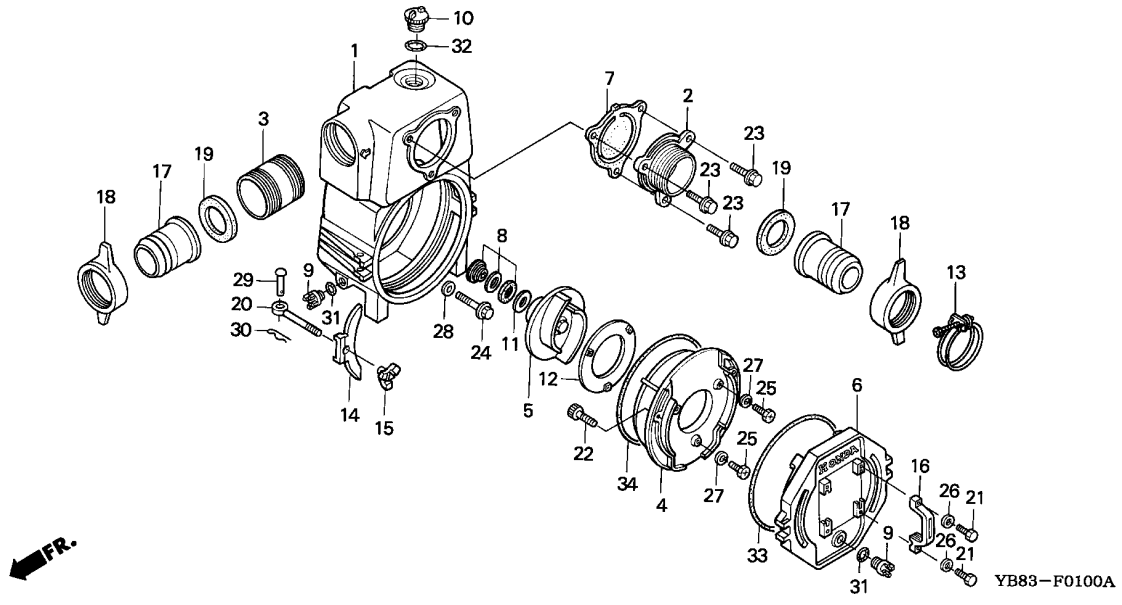
Ref. No.	Part No.	Description	Reqd. QTY						Serial No.	Parts catalogue code
			WT 20X K1	WT 20X K2	WT 20X K3	WT 30X K1	WT 30X K2	WT 30X K3		
1	78101-YB8-003	CASING	1	-	-	-	-	-	1001588	C
	78101-YB8-631	1	-	-	-	-	-	1001588	D
	78101-YB8-013	1	-	-	-	-	1001589		
			-	1	-	-	-	-		
	78101-YB9-003	-	-	-	1	-	-	1002128	C
	78101-YB9-631	-	-	-	1	-	-	1002128	D
	78101-YB9-013	-	-	-	1	-	1002129		
2	78103-YB8-003	INLET	1	1	-	-	-	-		C
	78103-YB8-631	1	1	-	-	-	-		D,DE,UD
	78103-YB9-003	-	-	-	1	1	-		C
	78103-YB9-631	-	-	-	1	1	-		D,DE,UD
3	78104-YB8-003	OUTLET	1	-	-	-	-	-	1001589	C
			-	1	-	-	-	-		C
	78104-YB8-631	1	-	-	-	-	-	1001589	D
			-	1	-	-	-	-		D,DE,UD
	78104-YB9-003	-	-	-	1	-	-	1002129	C
			-	-	-	1	-	-		C
	78104-YB9-631	-	-	-	1	-	-	1002129	D
			-	-	-	1	-	-		D,DE,UD
4	78105-YB8-003	CASE, VOLUTE	1	1	-	-	-	-		
	78105-YB9-003	-	-	-	1	1	-		
5	78106-YB8-003	IMPELLER	1	1	-	-	-	-		
	78106-YB9-003	-	-	-	1	1	-		
6	78108-YB8-003	COVER, DRAIN	1	1	-	-	-	-		
	78108-YB9-003	-	-	-	1	1	-		
7	78110-YB8-003	VALVE, IN.	1	1	-	-	-	-		
	78110-YB9-003	VALVE, CHECK	-	-	-	1	1	-		

3



YB88-F0100A

Ref. No.	Part No.	Description	Reqd. QTY						Serial No.	Parts catalogue code
			WT 20X K1	WT 20X K2	WT 20X K3	WT 30X K1	WT 30X K2	WT 30X K3		
8	78115-YB8-003	SEAL ASSY., MECHANICAL	1	1	-	-	-	-		
	78115-YB9-003	-	-	-	1	1	-		
9	78117-YB8-003	CAP, DRAIN	2	2	-	2	2	-		
10	78119-YB8-003	CAP, FILLER	1	1	-	1	1	-		
11	78122-YB8-003	SHIM, ADJUSTING	N	N	-	-	-	-		
	78122-YB9-003	-	-	-	N	N	-		
12	78123-YB8-003	LINER	1	1	-	-	-	-		
	78123-YB9-003	-	-	-	1	1	-		
13	78139-YB8-003	BAND, HOSE	3	3	-	-	-	-		
	78139-YB9-003	-	-	-	3	3	-		
14	78140-YB8-003	HOLDER, DRAIN COVER	2	2	-	-	-	-		
	78140-YB9-003	-	-	-	2	2	-		
15	78202-YB8-003	KNOB, DRAIN COVER	2	2	-	-	-	-		
	78202-YB9-003	-	-	-	2	2	-		
16	78207-YB8-003	HANDLE, DRAIN COVER	2	2	-	2	2	-		
17	78311-YB8-631	COUPLING, HOSE	2	2	-	-	-	-	D,DE,UD	
	78311-YB9-631	-	-	-	2	2	-	D,DE,UD	
18	78312-YB8-631	RING, HOSE CLAMP	2	2	-	-	-	-	D,DE,UD	
	78312-YB9-631	-	-	-	2	2	-	D,DE,UD	
19	78313-YB8-631	PACKING, HOSE COUPLING	2	2	-	-	-	-	D,DE,UD	
	78313-YB9-631	-	-	-	2	2	-	D,DE,UD	
20	90101-YB8-003	BOLT, DRAIN COVER	2	2	-	-	-	-		
	90101-YB9-003	-	-	-	2	2	-		
21	90102-YB8-003	BOLT, HANDLE SETTING	4	4	-	4	4	-		
22	90103-YB8-003	BOLT, SOCKET, 8X20	2	2	-	2	2	-		
23	90104-YB8-003	BOLT-WASHER, 8X25	3	3	-	-	-	-		

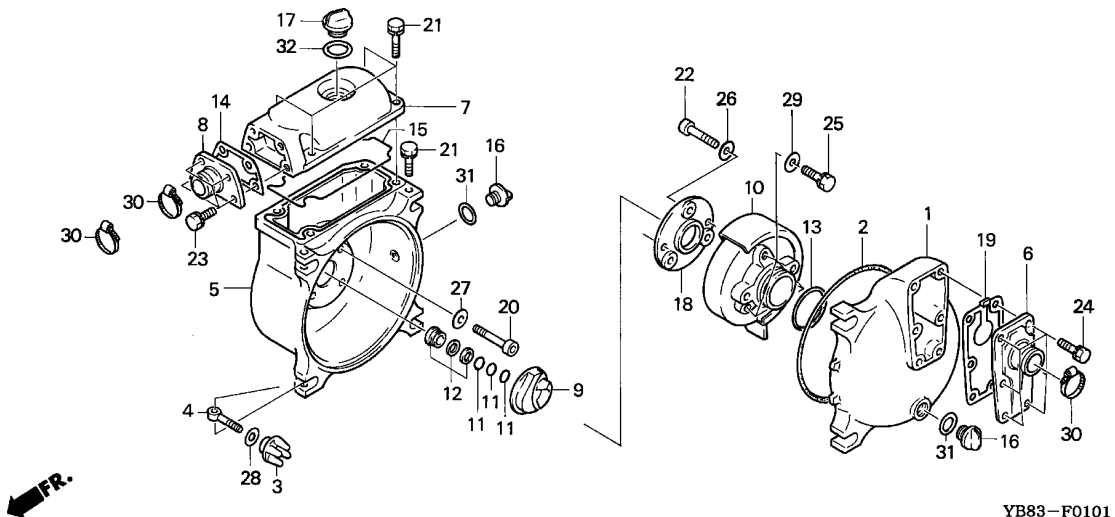


Ref. No.	Part No.	Description	Reqd. QTY						Serial No.	Parts catalogue code
			WT 20X K1	WT 20X K2	WT 20X K3	WT 30X K1	WT 30X K2	WT 30X K3		
23)	90102-YB9-003	BOLT-WASHER, 10X30	-	-	-	3	3	-		
24	90105-YB8-003	BOLT, FLANGE (8X50)	4	-	-	4	4	-		
	90106-YB8-003	BOLT (8X50)	-	4	-	-	-	-	-----	UD
25	90106-YB8-003	BOLT (8X50)	3	-	-	3	2	-	-----	C,D,DE
			-	2	-	-	-	-		
26	90501-YB8-003	WASHER, PLAIN, 6MM	4	4	-	4	4	-		
27	90502-YB8-003	WASHER, SPRING, 6MM	3	2	-	3	2	-		
28	90503-YB8-003	PACKING, SEAL	4	4	-	4	4	-		
29	90751-YB8-003	PIN, HINGE	2	2	-	-	-	-		
	90751-YB9-003	-	-	-	2	2	-		
30	90752-YB8-003	PIN, LOCK	2	2	-	-	-	-		
	90752-YB9-003	-	-	-	2	2	-		
31	91351-YB8-003	O-RING, 3.5X23.7	2	2	-	2	2	-		
32	91352-YB8-003	O-RING, 3.5X29.7	1	1	-	1	1	-		
33	91353-YB8-003	O-RING, 5.7X229.3	1	1	-	-	-	-		
	91351-YB9-003	O-RING, 5.7X239.3	-	-	-	1	1	-		
34	91354-YB8-003	O-RING, 3.53X209.14	1	1	-	-	-	-		
	91352-YB9-003	O-RING, 3.53X215.49	-	-	-	1	1	-		

F-1-1

CASING(WT20XK3/WT30XK3)

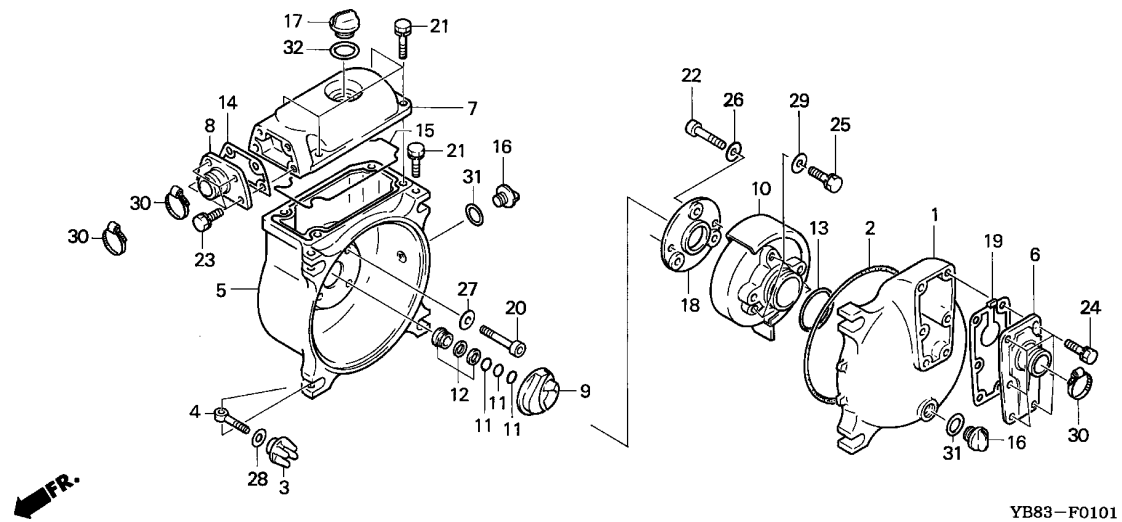
G 4



Service item	F.R.T.
PACKING, HEAD	0.1
COVER, FR.	0.2
.PACKING, FR. COVER	
CASE, VOLUTE	0.3
.IMPELLER	
SEAL ASSY., MECHANICAL	0.4
CASING	0.7

Ref. No.	Part No.	Description	Reqd. QTY						Serial No.	Parts catalogue code
			WT 20X K1	WT 20X K2	WT 20X K3	WT 30X K1	WT 30X K2	WT 30X K3		
1	63511-YG0-003	COVER, FR.	-	-	1	-	-	-		
	63511-YG1-003	-	-	-	-	-	1		
2	63512-YG0-003	PACKING, FR. COVER	-	-	1	-	-	1		
3	63523-YG0-003	KNOB, FR. COVER	-	-	4	-	-	4		
4	63524-YG0-003	BOLT, FR. COVER SETTING	-	-	4	-	-	4		
5	78101-YG0-003	CASING	-	-	1	-	-	-		
	78101-YG1-003	-	-	-	-	-	1		
6	78103-YG0-003	INLET	-	-	1	-	-	-	C	
	78103-YG0-621	-	-	1	-	-	-	D,DE,UD	
	78103-YG1-003	-	-	-	-	-	1	C,C/A	
	78103-YG1-621	-	-	-	-	-	1	D,D/A,DE,DE/A,UD,UD/A	
7	78104-YG0-003	OUTLET	-	-	1	-	-	-		
	78104-YG1-003	-	-	-	-	-	1		
8	78105-YG0-003	OUTLET	-	-	1	-	-	-	C	
	78105-YG0-621	-	-	1	-	-	-	D,DE,UD	
	78105-YG1-003	-	-	-	-	-	1	C,C/A	
	78105-YG1-621	-	-	-	-	-	1	D,D/A,DE,DE/A,UD,UD/A	
9	78106-YG0-003	IMPELLER	-	-	1	-	-	-		
	78106-YG1-003	-	-	-	-	-	1		
10	78107-YG0-003	CASE, VOLUTE	-	-	1	-	-	-		
	78107-YG1-003	-	-	-	-	-	1		
11	78122-YG0-003	WASHER, SHIM	-	-	3	-	-	-		
	78122-YG1-003	-	-	-	-	-	3		
12	78130-YG0-003	SEAL ASSY., MECHANICAL	-	-	1	-	-	-		
	78130-YG1-003	-	-	-	-	-	1		
13	78134-YG0-003	O-RING	-	-	1	-	-	1		
14	78136-YG0-003	PACKING, OUTLET	-	-	1	-	-	-		

3

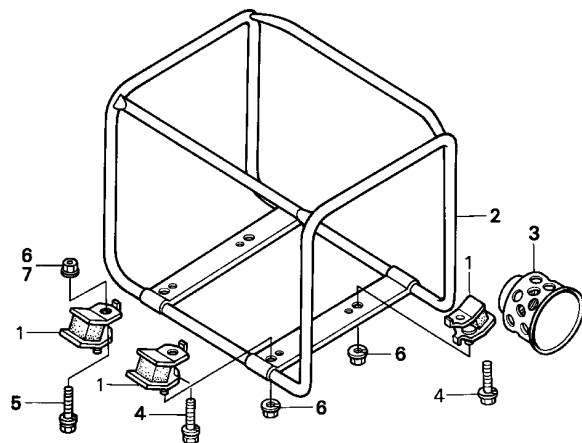


Ref. No.	Part No.	Description	Reqd. QTY						Serial No.	Parts catalogue code
			WT 20X K1	WT 20X K2	WT 20X K3	WT 30X K1	WT 30X K2	WT 30X K3		
14)	78136-YG1-003	PACKING, OUTLET	-	-	-	-	-	1		
15	78137-YG0-003	PACKING, HEAD	-	-	-	-	-	1		
16	78184-YG0-003	CAP, PLUG (25MM)	-	-	2	-	-	2		
17	78187-YG0-003	CAP, PLUG (32MM)	-	-	1	-	-	1		
18	78194-YG0-003	PLATE, WEAR	-	-	1	-	-	-		
	78194-YG1-003	-	-	-	-	-	1		
19	78313-YG0-003	PACKING, HOSE COUPLING	-	-	1	-	-	-		
	78313-YG1-003	-	-	-	-	-	1		
20	90101-YG0-003	BOLT, SOCKET, 8X55	-	-	4	-	-	4		
21	90102-YG0-003	BOLT-WASHER, 10X30	-	-	4	-	-	4		
22	90104-YG0-003	BOLT, SOCKET, 8X25	-	-	2	-	30X	-		
	90104-YG1-003	BOLT, SOCKET, 12X35	-	-	-	-	-	2		
23	90105-YG0-003	BOLT-WASHER, 8X22	-	-	4	-	-	-		
24	90106-YG0-003	BOLT-WASHER, 10X25	-	-	6	-	-	6		
25	90109-YG0-003	BOLT-WASHER, 6X16	-	-	3	-	-	3		
26	90501-YG0-003	WASHER, SEAL	-	-	2	-	-	-		
	90504-YG1-003	WASHER, PLAIN	-	-	-	-	-	2		
27	90501-YG0-003	WASHER, SEAL	-	-	4	-	-	4		
28	90502-YG0-003	WASHER, PLAIN	-	-	4	-	-	4		
29	90503-YG0-003	WASHER, PLAIN, 6MM	-	-	3	-	-	3		
30	90601-YG0-003	BAND	-	-	3	-	-	-		
	90601-YG1-003	-	-	-	-	-	3		
31	91351-YG0-003	O-RING, 25MM	-	-	2	-	-	2		
32	91352-YG0-003	O-RING, 32MM	-	-	1	-	-	1		

F-3

FRAME(WT20XK1/K2/WT30XK1/K2)

G 6



YB83-F0300

Service item	F.R.T.
RUBBER, BOTTOM	0.1
(ADD 0.1 FOR EACH.)	
FRAME COMP.	*0.2

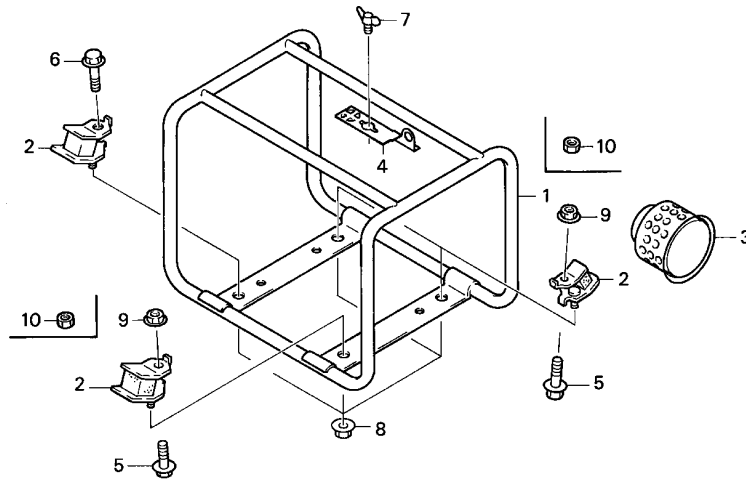
3

Ref. No.	Part No.	Description	Reqd. QTY						Serial No.	Parts catalogue code
			WT 20X K1	WT 20X K2	WT 20X K3	WT 30X K1	WT 30X K2	WT 30X K3		
1	68328-YB8-000	RUBBER, BOTTOM	4	4	-	-	-	-		
	68325-YB9-000	-	-	-	4	4	-		
2	78206-YB8-003	FRAME COMP.	1	1	-	-	-	-		
	78206-YB9-003	-	-	-	1	1	-		
3	78325-YB8-003	STRAINER	1	1	-	-	-	-	----- C	
	78325-YB8-631	1	1	-	-	-	-	----- D,DE,UD	
	78325-YB9-003	-	-	-	1	1	-	----- C	
	78325-YB9-631	-	-	-	1	1	-	----- D,DE,UD	
4	90107-YB8-003	BOLT-WASHER, 8X20	2	2	-	-	-	-		
	90105-YB9-003	BOLT-WASHER, 10X25	-	-	-	2	2	-		
5	90109-YB8-003	BOLT-WASHER, 8X35	2	2	-	-	-	-		
	90103-YB9-003	BOLT-WASHER, 10X40	-	-	-	2	2	-		
6	90301-YB8-003	NUT-WASHER, 8MM	6	6	-	4	4	-		
7	90302-YB9-003	NUT-WASHER, 10MM	-	-	-	2	2	-		

F-3-1

FRAME(WT20XK3/WT30XK3)

G 7

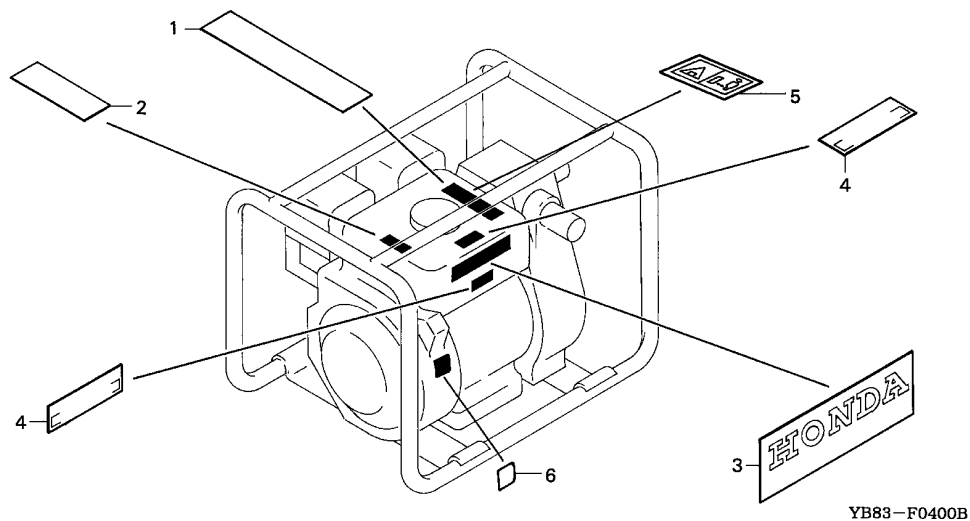


YB83-F0301

Service item	F.R.T.
RUBBER, BOTTOM	0.1
(ADD 0.1 FOR EACH.)	
FRAME COMP.	0.2

Ref. No.	Part No.	Description	Reqd. QTY						Serial No.	Parts catalogue code
			WT 20X K1	WT 20X K2	WT 20X K3	WT 30X K1	WT 30X K2	WT 30X K3		
1	50130-YG0-003	FRAME COMP.	-	-	1	-	-	-		
	50130-YG1-003	-	-	-	-	-	1		
2	68325-YG0-003	RUBBER, BOTTOM	-	-	4	-	-	4		
3	78325-YG0-003	STRAINER	-	-	1	-	-	-	----- C	
	78325-YG0-621	-	-	-	-	-	-	----- D,DE,UD	
	78325-YG1-003	-	-	-	-	-	1	----- C,C/A	
	78325-YG1-621	-	-	-	-	-	1	----- D,D/A,DE,DE/A,UD,UD/A	
4	89119-YG0-003	TOOL	-	-	1	-	-	-		
	89119-YG1-003	-	-	-	-	-	1		
5	90103-YG0-003	BOLT-WASHER, 12X45	-	-	4	-	-	4		
6	90107-YG0-003	BOLT-WASHER, 8X35	-	-	2	-	-	-		
	90106-YG1-003	BOLT-WASHER, 10X35	-	-	-	-	-	2		
7	90108-YG0-003	BOLT, WING, 8X15	-	-	1	-	-	1		
8	90301-YG0-003	NUT-WASHER, 8MM	-	-	4	-	-	4		
9	90302-YG0-003	NUT, FLANGE, 8MM	-	-	2	-	-	-		
10	90303-YG1-003	NUT, HEX.	-	-	-	-	-	2		

3



Service item F.R.T.
NOT INFORMATION

3

Ref. No.	Part No.	Description	Reqd. QTY						Serial No.	Parts catalogue code
			WT 20X K1	WT 20X K2	WT 20X K3	WT 30X K1	WT 30X K2	WT 30X K3		
1	78141-YB3-610	MARK, CAUTION (PUMP)	-	1	1	-	1	1	-----	C,C/A,D,D/A,UD,UD/A
2	78142-YB3-000	LABEL, PUMP WARNING	1	1	1	1	1	1	-----	C,C/A
	78142-YB3-610	LABEL, PUMP WARNING (FRENCH)	-	1	1	-	1	1	-----	C,C/A
3	78145-YB1-701	MARK (WT20X)	-	1	-	-	-	-	-----	C,C/A
	78145-YG0-000	-	-	1	-	-	-	-----	
	78145-YB2-701	MARK (WT30X)	-	-	-	-	1	-	-----	
	78145-YG1-000	-	-	-	-	-	1	-----	
4	87532-ZB4-G60	MARK, OIL ALERT (GERMAN)	-	1	-	-	-	-	2757182 4100255	C,D
			-	-	-	-	1	-	3175283 3468248	C,D
			-	-	-	-	-	-	2757182	C
	87532-ZB4-H50	MARK, OIL ALERT (FRENCH)	-	1	-	-	-	-	2757182 4100255	D
			-	-	1	-	-	1	-----	C,C/A
			-	-	-	-	1	-	3175283	C
			-	-	-	-	1	-	3175283 3468248	D
5	87539-ZA8-660	MARK, EX. CAUTION	-	1	1	-	1	1	-----	DE,DE/A
6	87616-YB7-960	LABEL, NOISE LEVEL (106)	-	-	1	-	-	-	-----	DE
	87616-YB9-920	LABEL, NOISE LEVEL (110)	-	-	-	-	-	1	-----	DE,DE/A

PART NO. INDEX

H 2

Part Number	Address	Page	Ref.	Part Number	Address	Page	Ref.	Part Number	Address	Page	Ref.	Part Number	Address	Page	Ref.
16500-ZH8-020	E12	59	5	16954-ZE1-812	D14	45	22	18320-ZE2-G30	E5	52	2	28420-ZH8-013	D6	37	3
16500-ZH8-030	E12	59	5	16955-ZE1-000	E6	53	2	18320-ZH8-W00	E4	51	2	28421-ZE2-W01	D8	39	3
16510-ZE1-000	C5	20	4		E8	55	2	18320-ZH8-W01	E4	51	2	28422-ZE1-003	D5	36	4
16510-ZE2-000	C11	26	8	16956-ZE1-811	D14	45	23	18323-ZE2-811	E5	52	3	28422-ZE1-711	D7	38	4
16511-ZE1-000	C5	20	5	16957-ZE1-811	D14	45	24	18325-ZE1-000	E4	51	3	28422-ZE2-W01	D8	39	4
16511-ZE2-000	C11	26	9	16957-ZE1-812	D14	45	24	18325-ZE1-010	E4	51	3	28422-ZH8-003	D6	37	4
16512-ZE1-000	C5	20	6	16967-ZE0-811	D15	46	25	18325-ZE2-003	E5	52	4	28422-ZH8-013	D6	37	4
16512-ZE2-000	C11	26	10					18325-ZE2-G30	E5	52	4	28423-ZE1-003	D5	36	5
16513-ZE1-000	C5	20	7	17000				18330-ZE2-000	E5	52	5	28423-ZE1-711	D7	38	5
16513-ZE2-000	C11	26	11					18333-ZE3-000	E5	52	6	28424-ZE1-711	D7	38	6
16531-Z0A-000	C12	27	12	17210-ZE1-821	E1	48	2	18333-ZE3-800	E5	52	6	28431-ZE1-003	D5	36	6
16531-ZE1-000	C5	20	8	17210-ZE1-822	E2	49	13	18355-ZE1-000	E4	51	4	28431-ZE1-711	D7	38	7
16531-ZE2-000	C11	26	12	17210-ZE2-821	E3	50	2	18355-ZE2-010	E5	52	7	28432-ZG0-003	D7	38	8
16541-ZE1-000	C5	20	9	17210-ZE2-822	E3	50	13	18381-ZE1-000	E4	51	5	28433-ZH8-003	D6	37	5
16541-ZE2-000	C7	22	3	17218-ZE1-821	E1	48	3	18381-ZE2-000	E5	52	8	28434-ZE1-711	D7	38	9
16541-ZE2-010	C7	22	3	17218-ZE2-821	E3	50	3	18381-ZE2-800	E5	52	8	28441-ZE1-003	D5	36	7
16551-ZE0-010	E12	59	1	17230-ZE1-820	E1	48	4	18381-ZE2-810	E5	52	9	28441-ZE1-711	D7	38	10
16551-ZE1-010	E12	59	1	17230-ZE2-820	E3	50	4	18381-ZE2-820	E5	52	10	28441-ZE2-W01	D8	39	5
16551-ZE2-000	E14	61	1	17232-891-000	E1	48	5	18381-ZE2-W10	E5	52	10	28441-ZH8-003	D6	37	6
16555-ZE1-000	E12	59	2		E3	50	5	18381-ZH8-800	E4	51	5	28442-ZE1-003	D5	36	8
16555-ZE2-000	E14	61	2	17238-ZE2-310	E3	50	6					28442-ZE1-711	D7	38	11
16561-ZE1-020	E12	59	3	17238-ZE7-010	E1	48	6	19000				28442-ZE2-W01	D8	39	6
16561-ZE2-000	E14	61	3	17239-ZE1-000	E1	48	7					28442-ZH8-003	D6	37	7
16562-ZE1-020	E12	59	4		E3	50	7	19511-ZE1-000	E10	57	2	28443-ZE1-003	D5	36	9
16562-ZE2-000	E14	61	4	17410-ZE1-020	E1	48	8	19511-ZE2-000	E10	57	2	28443-ZE2-W01	D8	39	7
16570-ZE1-010	E12	59	5	17410-ZE2-020	E3	50	8	19610-ZE1-000ZA	D9	40	2	28443-ZH8-003	D6	37	8
16570-ZE2-010	E14	61	5	17510-ZE1-000ZC	E6	53	3	19610-ZE1-810ZA	D9	40	2	28444-ZE2-W01	D8	39	8
16570-ZE2-W00	E14	61	5	17510-ZE1-010ZA	E6	53	3	19610-ZE2-000ZA	D11	42	3	28445-ZE1-003	D5	36	10
16571-ZE1-010	E12	59	6	17510-ZE1-020ZA	E6	53	3	19610-ZE2-010ZA	D11	42	3	28446-ZE1-003	D5	36	11
16571-ZE2-000	E14	61	6	17510-ZE2-000ZA	E8	55	3	19611-ZE1-810	D9	40	3	28447-ZE1-003	D5	36	12
16571-ZE2-W00	E14	61	6	17510-ZE2-010ZA	E8	55	3	19611-ZH8-810	D9	40	3	28448-ZE1-003	D5	36	13
16571-ZH8-000	E12	59	6	17620-890-000	E6	53	5	19612-ZH8-810	D9	40	3	28450-ZE2-W11	E10	57	3
16571-ZH8-010	E12	59	6		E8	55	5	19612-ZH8-811	D9	40	3	28451-ZE1-003	E10	57	4
16571-ZH8-020	E12	59	6	17620-890-010	E6	53	5	19612-ZH8-812	D9	40	3	28451-ZE2-003	E10	57	4
16574-ZE1-000	E12	59	7		E8	55	5	19613-ZE1-000	D9	40	4	28451-ZE2-W01	E10	57	4
	E14	61	7	17620-ZE2-W00	E6	53	5	19630-ZH8-000	D9	40	5	28451-ZH8-003	E10	57	6
16575-ZE1-000	E12	59	8		E8	55	5	19631-ZE1-000	D9	40	5	28461-889-631	D7	38	12
16575-ZE2-000	E14	61	8	17620-ZH7-013	E6	53	4	19631-ZE2-010	D11	42	4	28461-ZE1-003	D5	36	14
16575-ZE2-W00	E14	61	8		E8	55	4	19631-ZE2-000	D11	42	5	28461-ZE2-W01	D8	39	10
16575-ZH8-000	E12	59	8	17620-ZH7-023	E6	53	4	19631-ZH9-000	D11	42	5	28461-ZE2-W02	D8	39	10
16578-ZE1-000	E12	59	9		E8	55	4					28461-ZH8-003	D6	37	9
	E14	61	9	17631-329-003	E6	53	6	25000				28462-ZE1-003	D5	36	15
16580-ZH8-000	E13	60	10		E8	55	6					28462-ZE2-003	D7	38	13
16580-ZH8-010	E13	60	10	17631-ZH7-003	E6	53	6	25611-735-000	C12	27	13	28462-ZE2-W01	D8	39	11
16580-ZH8-020	E13	60	10		E8	55	6	28000				28462-ZE2-W11	D8	39	11
16580-ZH8-030	E13	60	10	17672-880-000	E6	53	8					28462-ZH8-003	D6	37	10
16581-ZE1-000	E12	59	10		E8	55	7					28469-ZE2-W01	D8	39	12
16581-ZE2-010	E14	61	10	17672-ZE2-W01	E6	53	7	28400-ZE1-003ZA	D5	36	1	30000			
16581-ZE2-W00	E14	61	10	17673-880-000	E8	55	8	28400-ZE2-003ZA	D7	38	1	30500-ZE1-013	E10	57	7
16584-883-300	E13	60	11	17673-893-000	E7	54	9	28400-ZE2-W01ZA	D8	39	1	30500-ZE1-023	E10	57	7
	E14	61	11					28400-ZH8-003ZA	D6	37	1	30500-ZE1-033	E10	57	7
16610-ZE1-000	D14	45	20	18000				28400-ZH8-013ZA	D6	37	1	30500-ZE1-043	E10	57	7
16731-ZE2-003	D11	42	2					28410-ZE1-003ZA	D5	36	2	30500-ZE2-003	E10	57	7
16854-ZE1-000	E6	53	1	18310-ZE1-010	E4	51	1	28410-ZE2-003ZA	D7	38	2	30500-ZE2-013	E10	57	7
	E8	55	1	18310-ZE1-811	E4	51	1	28410-ZE2-W01ZA	D8	39	2	30500-ZF6-W02	E10	57	7
16854-ZH8-000	E6	53	1	18310-ZE2-013	E5	52	1	28420-889-631	D7	38	3	30600-ZE1-013	E10	57	8
	E8	55	1	18310-ZF1-000	E4	51	1	28420-ZE1-003	D5	36	3	30700-ZE1-013	E10	57	8
16953-ZE1-811	D14	45	21	18320-ZE1-000	E4	51	2	28420-ZH8-003	D6	37	3				
16953-ZE1-812	D14	45	21	18320-ZE2-003	E5	52	2								

PART NO. INDEX



Part Number	Address	Page	Ref.	Part Number	Address	Page	Ref.	Part Number	Address	Page	Ref.	Part Number	Address	Page	Ref.
94050-06000	E3	50	9	98079-55846	C4	19	17								
	E7	54	11	98079-55854	C4	19	17								
	E13	60	16	98079-55855	C4	19	17								
	E14	61	17	98079-56841	C2	17	14								
94050-08000	E5	52	14		C4	19	17								
	E8	55	10	98079-56846	C2	17	14								
94050-10000	C6	21	16		C4	19	17								
	C8	23	11	98079-56854	C2	17	14								
94101-06800	C6	21	17		C4	19	17								
	C12	27	17	98079-56855	C2	17	14								
94109-12000	C8	23	8		C4	19	17								
94251-08000	C6	21	18												
	C8	23	12	99000											
94251-10000	C8	23	12												
94301-08120	C12	27	18	99101-124-0620	D15	46	28								
94301-08140	C10	25	10	99101-124-0650	D15	46	28								
	C12	27	18	99101-124-0680	D15	46	28								
94301-10160	C2	17	12	99101-124-0820	D16	47	28								
94301-12200	C4	19	13	99101-124-0850	D16	47	28								
94305-20122	D15	46	27	99101-124-0880	D16	47	28								
94510-11000	C4	19	14	99101-ZF5-0680	D15	46	28								
				99101-ZF5-0700	D15	46	28								
95000				99101-ZF5-0720	D15	46	28								
				99101-ZH7-0650	D15	46	28								
95001-45140-40	E7	54	12	99101-ZH7-0680	D16	47	28								
95001-45222-40	E8	55	11	99101-ZH7-0700	D16	47	28								
95002-02080	E7	54	13	99101-ZH8-0650	D16	47	28								
	E9	56	12	99101-ZH8-0680	D16	47	28								
95005-11100-30	C4	19	15	99101-ZH8-0700	D16	47	28								
95005-11105-30	C4	19	15	99101-ZH8-0800	D16	47	28								
95700-06012-00	C6	21	19	99101-ZH8-0820	D16	47	28								
	C8	23	13	99101-ZH8-0850	D16	47	28								
95700-08032-00	C10	25	11	99204-ZE0-0350	D16	47	29								
95701-06008-00	D5	36	16	99204-ZE0-0380	D16	47	29								
	D10	41	10	99204-ZE2-0380	D16	47	29								
95701-06012-00	C6	21	19												
	C8	23	13												
95701-06020-00	E1	48	12												
95701-06025-00	E7	54	14												
95701-08025-00	E9	56	13												
95701-08032-00	C10	25	11												
95701-08035-00	C12	27	19												
95723-08060-00	C2	17	13												
95725-10080-00	C4	19	16												
95900-06025-00	E7	54	14												
95900-08025-00	E9	56	13												
95900-08035-00	C12	27	19												
96000															
96100-62050-00	C6	21	20												
	C10	25	12												
96100-62060-00	C12	27	20												
	D2	33	9												
98000															
98079-55841	C4	19	17												

4

PART NAME INDEX

Part name	Address	Page	Ref.	Part name	Address	Page	Ref.	Part name	Address	Page	Ref.
[A]				BOLT, FLANGE, 6X12	E13	60	12	CASE COMP., RECOIL STARTER	D7	38	2
ALERT UNIT, OIL	C8	23	14	E14	61	12	D8	39	2
	D9	40	1	BOLT, FLANGE, 6X13	C1	16	9	CASE, RECOIL STARTER SPRING	D5	36	10
	D10	41	11	BOLT, FLANGE, 6X20	D10	41	9	CASE, VOLUTE	G1	65	4
	D11	42	1	E1	48	12	G4	68	10
ARM, GOVERNOR	E12	59	1	BOLT, FLANGE, 6X25	E7	54	14	CASING	G1	65	1
	E14	61	1	E11	58	13	G4	68	5
ARM, VALVE ROCKER	D3	34	3	BOLT, FLANGE, 6X28	E11	58	13	CHAMBER SET, FLOAT	D13	44	5
ARRESTER, SPARK	E4	51	4	BOLT, FLANGE, 6X29	E7	54	14	CHOKE SET	D14	45	9
	E5	52	7	BOLT, FLANGE, 6X8	D5	36	16	CIRCLIP, EXTERNAL, 11MM	C4	19	14
				D7	38	15	CLAMPER, CORD	D9	40	4
				D10	41	10	CLIP, GOVERNOR HOLDER	C5	20	13
[B]				C6	21	13
BAND	G5	69	30	BOLT, FLANGE, 8X25	E9	56	13	C12	27	15
BAND, HOSE	G2	66	13	BOLT, FLANGE, 8X32	C10	25	11	CLIP, HARNESS	D9	40	4
BARREL ASSY., CYLINDER	C5	20	2	BOLT, FLANGE, 8X35	C12	27	19	D12	43	11
	C7	22	1	BOLT, FLANGE, 8X60	C2	17	13	CLIP, HIGH TENSION CORD	D11	42	6
BASE COMP., CONTROL	E12	59	10	BOLT, FR. COVER SETTING	G4	68	4	CLIP, PISTON PIN, 18MM	D2	33	8
	E13	60	10	BOLT, GOVERNOR ARM	E13	60	13	CLIP, TUBE	D11	42	2
	E14	61	10	E14	61	13	E7	54	13
BEARING, RADIAL BALL	C6	21	20	BOLT, HANDLE SETTING	G2	66	21	E9	56	12
BEARING, RADIAL BALL, 6205	C6	21	20	BOLT, HEAD COVER	C3	18	9	CLIP, VALVE GUIDE	C1	16	4
	C10	25	12	BOLT, PIVOT, 8MM	D4	35	15	C3	18	4
BEARING, RADIAL BALL, 6206	C12	27	20	BOLT, REEL COVER	D7	38	14	COIL ASSY., IGNITION	E10	57	7
	D2	33	9	BOLT, SOCKET, 12X35	G5	69	22	COLLAR B, AIR CLEANER	E1	48	7
BOLT	G3	67	24	BOLT, SOCKET, 8X20	G2	66	22	E3	50	7
				BOLT, SOCKET, 8X25	G5	69	22	COLLAR, AIR CLEANER	E1	48	6
BOLT-WASHER, 10X25	G5	69	24	BOLT, SOCKET, 8X55	G5	69	20	E3	50	6
	G6	70	4	BOLT, STUD, 6X109	C1	16	10	CONTROL ASSY.	E12	59	5
BOLT-WASHER, 10X30	G3	67	23	BOLT, STUD, 6X112	C2	17	10	E14	61	5
	G5	69	21	BOLT, STUD, 8X123	C3	18	10	CORD, STOP SWITCH	E11	58	11
BOLT-WASHER, 10X35	G7	71	6	BOLT, STUD, 8X32	C2	17	11	COUPLING, HOSE	G2	66	17
BOLT-WASHER, 10X40	G6	70	5	C4	19	11	COVER ASSY., CRANKCASE	C9	24	1
BOLT-WASHER, 12X45	G7	71	5	BOLT, STUD, 8X47	C3	18	11	C11	26	2
BOLT-WASHER, 6X16	G5	69	25	BOLT, WING, 8X15	G7	71	7	COVER COMP., FAN	D9	40	2
BOLT-WASHER, 6X20	E1	48	12	[C]				D11	42	3
	E3	50	12	CAMSHAFT ASSY.	D3	34	1	COVER COMP., HEAD	C1	16	6
BOLT-WASHER, 6X22	E3	50	12	CAP ASSY., NOISE SUPPRESSOR	E10	57	8	C3	18	6
BOLT-WASHER, 8X20	G6	70	4	CAP ASSY., OIL FILLER	C9	24	3	COVER, AIR CLEANER	E1	48	4
BOLT-WASHER, 8X22	G5	69	23	E3	50	4
BOLT-WASHER, 8X25	G2	66	23	CAP COMP., FUEL FILLER	E6	53	4	COVER, DRAIN	G1	65	6
BOLT-WASHER, 8X35	G6	70	5	C11	26	4	COVER, FR.	G4	68	1
	G7	71	6	CAP ASSY., OIL FILLER	C9	24	6	COVER, STARTER REEL	D7	38	9
BOLT, CONNECTING ROD	D2	33	7				CRANKSHAFT COMP.	D2	33	5
BOLT, DRAIN COVER	G2	66	20	CAP COMP., FUEL FILLER	E6	53	4			
BOLT, DRAIN PLUG	C5	20	10	E8	55	4	CUP, FUEL STRAINER	D15	46	25
BOLT, DRAIN PLUG, 12X15	C7	22	6	CAP, DRAIN	G2	66	9	[D]			
BOLT, FLANGE	G3	67	24	CAP, FILLER	G2	66	10	DOWEL PIN, 10X16	C2	17	12
BOLT, FLANGE, 10X80	C4	19	16	CAP, OIL FILLER	C9	24	5	DOWEL PIN, 12X20	C4	19	13
BOLT, FLANGE, 6X10	D6	37	12	CAP, OIL FILLER	C9	24	5	DOWEL PIN, 8X12	C12	27	18
	D8	39	14	CAP, OIL HOLE	C9	24	6	DOWEL PIN, 8X14	C10	25	10
BOLT, FLANGE, 6X12	C1	16	9	C12	27	13	C12	27	18
	C6	21	19	CAP, PLUG	C12	27	13	[E]			
	C7	22	5	G5	69	16	ELBOW COMP., AIR CLEANER	E1	48	8
	C8	23	13	CARBURETOR ASSY.	D14	45	10	E3	50	8
				CASE COMP., RECOIL STARTER	D5	36	2				
	D10	41	8	D6	37	2				
	D12	43	10								



PART NAME INDEX

Part name	Address	Page	Ref.	Part name	Address	Page	Ref.	Part name	Address	Page	Ref.
ELEMENT, AIR CLEANER	E1	48	2	[I]				[N]			
	E2	49	13	IMPELLER	G1	65	5	NOZZLE, MAIN	D14	45	12
	E3	50	2		G4	68	9	NUT	D5	36	13
EMBLEM	E15	62	3	INLET	G1	65	2	NUT-WASHER, 10MM	G6	70	7
[F]					G4	68	6	NUT-WASHER, 8MM	G6	70	6
FAN, COOLING	E10	57	2	INSULATOR, CARBURETOR	D14	45	14	NUT, AIR CLEANER COVER	G7	71	8
FILTER, FUEL	E6	53	7				15	NUT, AIR CLEANER COVER	E1	48	10
			8	[J]				NUT, CAP, 6MM	E3	50	10
FILTER, OUTER	E8	55	7	JET SET, PILOT,	D16	47	29	NUT, FLANGE, 10MM	E1	48	9
FLOAT SET	E1	48	3	JET, MAIN,	D15	46	28	NUT, FLANGE, 10MM	E3	50	9
FLYWHEEL COMP.	E3	50	3		D16	47	28	NUT, FLANGE, 6MM	C6	21	16
FRAME COMP.	D13	44	4	JOINT, FUEL TANK	E6	53	2		C8	23	11
	E10	57	9		E8	55	2	NUT, FLANGE, 6MM	E1	48	9
	G6	70	2	[K]					E3	50	9
	G7	71	1	KEY, SPECIAL WOODRUFF, 25X18 ..	E10	57	1	NUT, FLANGE, 8MM	E7	54	11
[G]				KNOB, DRAIN COVER	G2	66	15		E13	60	16
GASKET KIT	F1	64	1	KNOB, FR. COVER	G4	68	3		E14	61	17
GASKET SET	D13	44	1	KNOB, RECOIL STARTER	D5	36	14	NUT, FLANGE, 8MM	E5	52	14
			2	[L]					E8	55	10
GASKET, CYLINDER HEAD	C1	16	5	LABEL	E16	63	14	NUT, HEX.	G7	71	9
	C3	18	5	LABEL, CAUTION	E15	62	6	NUT, HEX., 8MM	E4	51	8
GASKET, EX. PIPE	E5	52	6	LABEL, FUEL WARNING	E15	62	4	NUT, PIVOT ADJUSTING	D4	35	16
GASKET, MUFFLER	E4	51	5	LABEL, NOISE LEVEL	G8	72	6	NUT, SELF-LOCK, 6MM	E13	60	14
	E5	52	8	LABEL, PUMP WARNING	G8	72	2		E14	61	14
			9	LABEL, SPECIFICATION	E16	63	8	NUT, SPECIAL, 14MM	E11	58	14
GOVERNOR ASSY.	C5	20	4	LEVER COMP., CHOKE	D14	45	20	NUT, SPECIAL, 16MM	E11	58	14
	C11	26	8	LEVER, COCK	D14	45	21	NUT, TOOL BOX SETTING	E1	48	11
GRIP, REINFORCEMENT	D8	39	12	LEVER, CONTROL	E12	59	6		E3	50	11
GRIP, STARTER	D6	37	9		E14	61	6	NUT, WING, 6MM	E1	48	10
	D7	38	12	LIFTER, VALVE	D3	34	4		E3	50	10
	D8	39	10	LINER	G2	66	12		E14	61	15
GROMMET, AIR CLEANER	E1	48	5	[M]				[O]			
	E3	50	5	MARK	E15	62	2	OIL SEAL, 25X41X6	C6	21	14
GROMMET, CORD	E11	58	10		G8	72	3		C10	25	9
GROMMET, DRAIN HOLE	D11	42	9	MARK, CAUTION	E15	62	1	OIL SEAL, 30X45X8	C12	27	16
GUIDE, EX. VALVE	C1	16	3		E15	62	1	OIL SEAL, 30X46X8	C8	23	9
	C3	18	3	MARK, CHOKE	E15	62	7	O-RING	G4	68	13
GUIDE, IN. VALVE	C1	16	2		G8	72	1	O-RING, 14MM	C6	21	15
	C3	18	2	MARK, EX. CAUTION	G8	72	5		C8	23	10
GUIDE, RATCHET	D5	36	9	MARK, OIL ALERT	E16	63	9	O-RING, 25MM	E7	54	10
	D6	37	5				5	O-RING, 32MM	E8	55	9
[H]				MARK, THROTTLE INDICATION	E16	63	11	O-RING, 3.53X209.14	G5	69	31
HANDLE, DRAIN COVER	G2	66	16				10	O-RING, 3.53X215.49	G3	67	34
HEAD COMP., CYLINDER	C1	16	1	MARK, CHOKE	E15	62	7	O-RING, 3.5X23.7	G3	67	34
	C3	18	1	MARK, EX. CAUTION	G8	72	5	O-RING, 3.5X29.7	G3	67	31
HOLDER, DRAIN COVER	G2	66	14	MARK, OIL ALERT	E16	63	9	O-RING, 3.5X29.7	G3	67	32
HOLDER, FUEL FILTER	E7	54	9				12	O-RING, 5.7X229.3	G3	67	33
	E8	55	8	MARK, THROTTLE INDICATION	E16	63	11	O-RING, 5.7X239.3	G3	67	33
HOLDER, GOVERNOR WEIGHT	C5	20	6	MUFFLER COMP.	E4	51	1	OUTLET	G1	65	3
	C11	26	10		E5	52	1		G4	68	7
HOLDER, STOP SWITCH CORD	E11	58	12								8



PART NAME INDEX

Part name	Address	Page	Ref.	Part name	Address	Page	Ref.	Part name	Address	Page	Ref.
[P]											
PACKING, CARBURETOR	D14	45	17	PULLEY COMP., STARTER	E10	57	3	SHAFT, GOVERNOR ARM	C5	20	9
PACKING, CASE COVER	C9	24	2	PULLEY, RECOIL STARTER	D5	36	3		C7	22	3
	C11	26	3		D8	39	3	SHAFT, RATCHET	D7	38	5
PACKING, ELBOW	E1	48	1	PULLEY, STARTER	E10	57	4	SHAFT, SUB	D5	36	12
	E3	50	1				6	SHIM, ADJUSTING	G2	66	11
PACKING, FR. COVER	G4	68	2	[R]				SHROUD	D11	42	4
PACKING, FUEL COCK	D14	45	24	RATCHET, STARTER	D5	36	4	SHROUD COMP.	D9	40	5
PACKING, FUEL FILLER CAP	E6	53	6		D6	37	4	SLIDER, GOVERNOR	C5	20	8
	E8	55	6		D7	38	4		C11	26	12
PACKING, FUEL STRAINER CUP ...	D14	45	13		D8	39	4	SPACER COMP., CARBURETOR	D14	45	16
PACKING, HEAD	G5	69	15	REEL COMP., STARTER	D7	38	3	SPACER, CONTROL LEVER	E12	59	9
PACKING, HEAD COVER	C1	16	7	REEL, RECOIL STARTER	D6	37	3		E14	61	9
	C3	18	7	RETAINER, EX. VALVE SPRING	D4	35	11	SPRING, COCK LEVER	D14	45	23
PACKING, HOSE COUPLING	G2	66	19	RETAINER, IN. VALVE SPRING	D4	35	10	SPRING, CONTROL ADJUSTING	E13	60	11
	G5	69	19	RETAINER, SPRING	D8	39	8		E14	61	11
PACKING, INSULATOR	D14	45	18	RING SET, PISTON	C13	28	1	SPRING, FRICTION	D5	36	7
			19		C14	29	1		D6	37	6
PACKING, OIL FILLER CAP	C9	24	7		C15	30	1		D7	38	10
	C10	25	8		C16	31	1	SPRING, GOVERNOR	D8	39	5
	C11	26	6	RING, HOSE CLAMP	G2	66	18		E12	59	3
			7	ROD ASSY., CONNECTING	D1	32	4		E14	61	3
PACKING, OUTLET	G4	68	14	ROD, GOVERNOR	E12	59	2	SPRING, LEVER	E12	59	7
	G5	69	14		E14	61	2		E14	61	7
PACKING, SEAL	G3	67	28	ROD, PUSH	D3	34	2	SPRING, RATCHET	D8	39	7
PIN A, DOWEL, 8X12	C12	27	18	ROPE, RECOIL STARTER	D5	36	15	SPRING, RECOIL STARTER	D5	36	8
PIN, GOVERNOR WEIGHT	C5	20	7		D6	37	10		D6	37	7
	C11	26	11		D8	39	11	SPRING, RETURN	D6	37	8
PIN, HINGE	G3	67	29	ROPE, STARTER	D7	38	13		D7	38	11
PIN, LOCK	G3	67	30	ROPE, STARTER	D7	38	13	SPRING, STARTER RETURN	D8	39	6
PIN, LOCK, 10MM	C8	23	12	ROTATOR, VALVE	D4	35	12	SPRING, THROTTLE RETURN	E12	59	4
PIN, LOCK, 8MM	C6	21	18	RUBBER, BOTTOM	G6	70	1		E14	61	4
	C8	23	12	RUBBER, SUPPORTER	E6	53	1	SPRING, VALVE	D4	35	9
PIN, PISTON	D1	32	3		E8	55	1	SPRING, WEIGHT RETURN	D3	34	6
PIN, SPRING, 2X12	D15	46	27	[S]				STARTER ASSY., RECOIL	D5	36	1
PIN, STARTER RATCHET	D5	36	5	SCREW SET	D14	45	8		D6	37	1
PIPE, EX.	E5	52	5		D16	47	30		D7	38	1
PISTON	C16	31	2	SCREW SET, DRAIN	D13	44	7	STRAINER	D8	39	1
			2	SCREW SET, PILOT	D13	44	6		G6	70	3
PIVOT, ROCKER ARM	D3	34	5	SCREW, CENTER	D8	39	13		G7	71	3
PLATE A, FRICTION	D7	38	7	SCREW, PAN, 3X6	D15	46	26	SUB HARNESS	C7	22	4
PLATE B, FRICTION	D7	38	8	SCREW, PAN, 3X8	D15	46	26		D9	40	6
PLATE COMP., SIDE	D9	40	3	SCREW, PAN, 5X20	E13	60	15	SWITCH ASSY., ENGINE STOP	D11	42	7
PLATE, FRICTION	D5	36	6	SCREW, PAN, 5X25	E13	60	15		D9	40	7
PLATE, GUIDE	D7	38	6	SCREW, PAN, 5X28	E14	61	16		D10	41	7
PLATE, LEVER SETTING	D14	45	22	SCREW, PAN, 5X8	E5	52	13	SWITCH ASSY., OIL LEVEL	D11	42	8
PLATE, PUSH ROD GUIDE	D4	35	13	SCREW, SETTING	D6	37	11		C5	20	3
			14	SCREW, TAPPING, 4X6	E4	51	7		C7	22	2
PLATE, SIDE	D9	40	3	SCREW, TAPPING, 5X8	E4	51	6	[T]			
PLATE, WEAR	G5	69	18		E5	52	12	TANK COMP., FUEL	E6	53	3
PLUG, SPARK	C2	17	14	SCREW, TAPPING, 4X6	E4	51	7		E8	55	3
	C4	19	17	SCREW, TAPPING, 5X8	E4	51	6	TERMINAL ASSY., HIGH TENSION ..	E10	57	8
PROTECTOR, EX. PIPE	E5	52	3		E5	52	11	TOOL	G7	71	4
PROTECTOR, LOWER	E4	51	3	SCREW, THROTTLE STOP	D14	45	11	TUBE, 11X100	C4	19	15
PROTECTOR, L. MUFFLER	E5	52	4	SEAL ASSY., MECHANICAL	G2	66	8	TUBE, 11X105	C4	19	15
PROTECTOR, MUFFLER	E4	51	2		G4	68	12	TUBE, BREATHER	C1	16	8
PROTECTOR, R. MUFFLER	E5	52	2	SEAL, VALVE STEM	D4	35	17				
PROTECTOR, UPPER	E4	51	2	SEAT, VALVE SPRING	C3	18	8				



PART NAME INDEX

Part name	Address	Page	Ref.	Part name	Address	Page	Ref.	Part name	Address	Page	Ref.
TUBE, FUEL, 4.5X140	E7	54	12								
TUBE, FUEL, 4.5X222	E8	55	11								
[V]											
VALVE SET, FLOAT	D13	44	3								
VALVE, CHECK	G1	65	7								
VALVE, EX.	D3	34	8								
	D4	35	8								
VALVE, IN.	D3	34	7								
	G1	65	7								
[W]											
WASHER COMP., HEAD COVER	C4	19	12								
WASHER, 6X16	C12	27	14								
WASHER, 8.2X17X0.8	C7	22	7								
WASHER, CONTROL LEVER	E12	59	8								
	E14	61	8								
WASHER, DRAIN PLUG, 10.2MM ...	C5	20	12								
WASHER, DRAIN PLUG, 12MM	C8	23	8								
WASHER, PLAIN	G5	69	26								
			28								
WASHER, PLAIN, 6MM	C6	21	17								
	C12	27	17								
	G3	67	26								
	G5	69	29								
WASHER, SEAL	G5	69	26								
			27								
WASHER, SHIM	G4	68	11								
WASHER, SPRING, 6MM	G3	67	27								
WASHER, STARTER	D5	36	11								
WASHER, THRUST, 6MM	C5	20	11								
WEIGHT, GOVERNOR	C5	20	5								
	C11	26	9								
WRENCH COMP., SPARK PLUG	E16	63	13								

1

FOREWORD INDEX

2

ENGINE GROUP

3

FRAME GROUP

4

PART NUMBER INDEX

5

PART NAME INDEX

HONDA
The Power of Dreams



PARTS CATALOGUE NEWS

Honda Motor Co., Ltd. Service Division

PARTS CATALOGUE - CORRECTED

Printed in Japan

CODE NO.	BOOKLET TYPE	13YB80E5
	MICRO- FICHE	13YB80ED/FD/GD ID
PARTS CATALOGUE NEWS	WT20XK1/K2/K3 WT30XK1/K2/K3	
NEWS NO.	001	

Block No.	Ref. No.	Note	Part No.	Description	Reqd. QTY						Serial No.	Parts catalogue code
					WT 20X K1	WT 20X K2	WT 20X K3	WT 30X K1	WT 30X K2	WT 30X K3		
F-1-1	5	E	78101-YG0-003	*PARTS NO. DELETION								
		D	78101-YG0-013	CASING	-	-	1	-	-	-		
	20	T	90101-YG0-003	BOLT, SOCKET, 8X55	-	-	-	-	-	4		
		D	90110-YG0-003	BOLT, SOCKET, 8X60	-	-	4	-	-	-		
	27	T	90501-YG0-003	WASHER, SEAL	-	-	-	-	-	4		
		D	90504-YG0-003	WASHER, 8MM(AL.)	-	-	4	-	-	-		

NOTE A:PART NO.CHANGE D:NEWLY PROVIDED E:PART NO.DELETION K:REQUIRED NO.CORRECTION L:APPLICATION SERIAL NO.CORRECTION
T:APPLICATION CORRECTION Z:REMARKS CHANGE



PARTS CATALOGUE NEWS

Honda Motor Co., Ltd. Service Division

PARTS CATALOGUE - CORRECTED

Printed in Japan

CODE NO.	BOOKLET TYPE	13YB80E5
	MICRO- FICHE	13YB80ED/FD/GD ID
PARTS CATALOGUE NEWS	WT20XK1/K2/K3 WT30XK1/K2/K3	
NEWS NO.	002	

Block No.	Ref. No.	Note	Part No.	Description	Reqd. QTY						Serial No.	Parts catalogue code
					WT 20X K1	WT 20X K2	WT 20X K3	WT 30X K1	WT 30X K2	WT 30X K3		
F-1-1	5	T	78101-YG1-003	CASING	-	-	-	-	-	0	-----	C/A,D/A,DE/A,UD/A
		D	78101-YG1-013	-	-	-	-	-	1	-----	C/A,D/A,DE/A,UD/A
	20	T	90101-YG0-003	BOLT, SOCKET, 8X55	-	-	-	-	-	0	-----	C/A,D/A,DE/A,UD/A
		D	90110-YG1-003	-	-	-	-	-	4	-----	C/A,D/A,DE/A,UD/A
	27	T	90501-YG0-003	WASHER, SEAL	-	-	-	-	-	0	-----	C/A,D/A,DE/A,UD/A
		T	90504-YG0-003	WASHER, 8MM(AL.)	-	-	4	-	-	-	-----	C/A,D/A,DE/A,UD/A
					-	-	-	-	-	4	-----	C/A,D/A,DE/A,UD/A

NOTE A:PART NO.CHANGE D:NEWLY PROVIDED E:PART NO.DELETION K:REQUIRED NO.CORRECTION L:APPLICATION SERIAL NO.CORRECTION
T:APPLICATION CORRECTION Z:REMARKS CHANGE

PARTS CATALOGUE NEWS

BOOKNo.:13YB80E5

Block No.	Ref. No.	Note	Part No.	Description	Reqd.QTY						Serial No.	Parts catalogue code
					WT 20X K1	WT 20X K2	WT 20X K3	WT 30X K1	WT 30X K2	WT 30X K3		
		D	78311-YG1-621	-	-	-	-	-	2	-----	D/A,DE/A,UD/A
	34	D	78312-YG0-621	RING, HOSE CLAMP	-	-	2	-	-	-	-----	D,DE,UD
		D	78312-YG1-621	-	-	-	-	-	2	-----	D/A,DE/A,UD/A
	35	D	78313-YG0-621	PACKING, HOSE COUPLING	-	-	2	-	-	-	-----	D,DE,UD
		D	78313-YG1-621	-	-	-	-	-	2	-----	D/A,DE/A,UD/A

NOTE A:PART NO.CHANGE D:NEWLY PROVIDED E:PART NO.DELETION K:REQUIRED NO.CORRECTION L:APPLICATION SERIAL NO.CORRECTION
T:APPLICATION CORRECTION Z:REMARKS CHANGE



PARTS CATALOGUE NEWS

Honda Motor Co., Ltd. Service Division

PARTS CATALOGUE - CORRECTED

Printed in Japan

CODE NO.	BOOKLET TYPE	13YB80E5
	MICRO- FICHE	13YB80EE/FE/GE
PARTS CATALOGUE NEWS	WT20XK1/K2/K3 WT30XK1/K2/K3	
NEWS NO.	004	

Block No.	Ref. No.	Note	Part No.	Description	Reqd. QTY						Serial No.	Parts catalogue code
					WT 20X K1	WT 20X K2	WT 20X K3	WT 30X K1	WT 30X K2	WT 30X K3		
E-28	3		87521-ZH8-020	EMBLEM (5.5)	-	-	1	-	-	-	----- 8367036	
		A	87521-ZH8-030	-	-	1	-	-	-	8367037	

NOTE A:PART NO.CHANGE D:NEWLY PROVIDED E:PART NO.DELETION K:REQUIRED NO.CORRECTION L:APPLICATION SERIAL NO.CORRECTION
T:APPLICATION CORRECTION Z:REMARKS CHANGE



PARTS CATALOGUE NEWS

Honda Motor Co., Ltd. Service Division

PARTS CATALOGUE - CORRECTED

Printed in Japan

CODE NO.	BOOKLET TYPE	13YB80E5
	MICRO-FICHE	13YB80EE/FE/GE
PARTS CATALOGUE NEWS	WT20XK1/K2/K3 WT30XK1/K2/K3	
NEWS NO.	005	

Block No.	Ref. No.	Note	Part No.	Description	Reqd. QTY						Serial No.	Parts catalogue code				
					WT 20X K1	WT 20X K2	WT 20X K3	WT 30X K1	WT 30X K2	WT 30X K3						
E-11-1	1		28400-ZH8-013ZA	STARTER ASSY., RECOIL	-	1	-	-	-	-	-----	8367036	UD			
				R8.....BRIGHT RED	-	1	-	-	-	-	2438253	8367036	C,D			
					-	-	1	-	-	-	-----	8367036				
				A	28400-ZH8-013YA	*R280*.....POWER RED	-	1	-	-	-	-	8367037	-----	C,D,UD	
							-	-	1	-	-	-	8367037			
							-	1	-	-	-	-	-----	8367036	C,D,UD	
	2			28410-ZH8-003ZA	CASE COMP., RECOIL STARTER	-	1	-	-	-	-	-----	8367036	C,D,UD		
					R8.....BRIGHT RED	-	-	1	-	-	-	-----	8367036			
					A	28410-ZH8-003YA	*R280*.....POWER RED	-	1	-	-	-	-	8367037	-----	C,D,UD
								-	-	1	-	-	-	8367037		
E-12	2		19610-ZE1-000ZA	COVER COMP., FAN	-	1	-	-	-	-	-----	8367036	DE,UD			
				R8.....BRIGHT RED	-	1	-	-	-	-	2468253	8367036	C,D			
					-	-	1	-	-	-	-----	8367036				

NOTE A:PART NO.CHANGE D:NEWLY PROVIDED E:PART NO.DELETION K:REQUIRED NO.CORRECTION L:APPLICATION SERIAL NO.CORRECTION
T:APPLICATION CORRECTION Z:REMARKS CHANGE

PARTS CATALOGUE NEWS

BOOKNo.:13YB80E5

Block No.	Ref. No.	Note	Part No.	Description	Reqd.QTY						Serial No.	Parts catalogue code
					WT 20X K1	WT 20X K2	WT 20X K3	WT 30X K1	WT 30X K2	WT 30X K3		
		A	19610-ZE1-000ZP	*R280*.....POWER RED	-	1	1	-	-	-	8367037	

NOTE A:PART NO.CHANGE D:NEWLY PROVIDED E:PART NO.DELETION K:REQUIRED NO.CORRECTION L:APPLICATION SERIAL NO.CORRECTION
T:APPLICATION CORRECTION Z:REMARKS CHANGE



PARTS CATALOGUE NEWS

Honda Motor Co., Ltd. Service Division

PARTS CATALOGUE - CORRECTED

Printed in Japan

CODE NO.	BOOKLET TYPE	13YB80E5
	MICRO- FICHE	13YB80EE/FE/GE
PARTS CATALOGUE NEWS	WT20XK1/K2/K3 WT30XK1/K2/K3	
NEWS NO.	006	

Block No.	Ref. No.	Note	Part No.	Description	Reqd. QTY						Serial No.	Parts catalogue code
					WT 20X K1	WT 20X K2	WT 20X K3	WT 30X K1	WT 30X K2	WT 30X K3		
F-4	3		78145-YG1-000	MARK (WT30X)	-	-	-	-	-	1	-----	C,D,DE,UD
					-	-	-	-	-	1	----- 1102123	C/A,D/A,DE/A,UD/A
		A	78145-YG1-010	-	-	-	-	-	1	1102124 -----	C/A,D/A,DE/A,UD/A

NOTE A:PART NO.CHANGE D:NEWLY PROVIDED E:PART NO.DELETION K:REQUIRED NO.CORRECTION L:APPLICATION SERIAL NO.CORRECTION
T:APPLICATION CORRECTION Z:REMARKS CHANGE



PARTS CATALOGUE NEWS

Honda Motor Co., Ltd. Service Division

PARTS CATALOGUE - CORRECTED

Printed in Japan

CODE NO.	BOOKLET TYPE	13YB80E5
	MICRO- FICHE	13YB80EE/FE/GE
PARTS CATALOGUE NEWS	WT20XK1 WT20XK2 WT20XK3 WT30XK1 WT30XK2 WT30XK3	
NEWS NO.	007	

Block No.	Ref. No.	Note	Part No.	Description	Reqd. QTY						Serial No.	Parts catalogue code
					WT 20X K1	WT 20X K2	WT 20X K3	WT 30X K1	WT 30X K2	WT 30X K3		
F-4	6	T	87616-YB9-920	LABEL, NOISE LEVEL (110)	-	-	-	-	1	-	4172101 - - - - -	DE
					-	-	-	-	1	-	- - - - -	DE,DE/A

NOTE A:PART NO.CHANGE D:NEWLY PROVIDED E:PART NO.DELETION K:REQUIRED NO.CORRECTION L:APPLICATION SERIAL NO.CORRECTION
 T:APPLICATION CORRECTION Z:REMARKS CHANGE



PARTS CATALOGUE NEWS

Honda Motor Co., Ltd. Service Division

PARTS CATALOGUE - CORRECTED

Printed in Japan

CODE NO.	BOOKLET TYPE	13YB80E5
	MICRO- FICHE	13YB80EE/FE/GE
PARTS CATALOGUE NEWS	WT20XK1 WT20XK2 WT20XK3 WT30XK1 WT30XK2 WT30XK3	
NEWS NO.	008	

Block No.	Ref. No.	Note	Part No.	Description	Reqd. QTY						Serial No.	Parts catalogue code
					WT 20X K1	WT 20X K2	WT 20X K3	WT 30X K1	WT 30X K2	WT 30X K3		
E-7	1	T	13010-ZL0-004	RING SET, PISTON (STD.) (NIPPON)	-	1	-	-	-	-	7603339	
					-	-	(1)	-	-	-		
		T	13011-ZL0-004	RING SET, PISTON (0.25) (NIPPON)	-	(1)	-	-	-	-	7603339	
					-	-	(1)	-	-	-		
		T	13012-ZL0-004	RING SET, PISTON (0.50) (NIPPON)	-	(1)	-	-	-	-	7603339	
					-	-	(1)	-	-	-		
		T	13013-ZL0-004	RING SET, PISTON (0.75) (NIPPON)	-	(1)	-	-	-	-	7603339	
					-	-	(1)	-	-	-		

NOTE A:PART NO.CHANGE D:NEWLY PROVIDED E:PART NO.DELETION K:REQUIRED NO.CORRECTION L:APPLICATION SERIAL NO.CORRECTION
T:APPLICATION CORRECTION Z:REMARKS CHANGE



PARTS CATALOGUE NEWS

Honda Motor Co., Ltd. Service Division

PARTS CATALOGUE - CORRECTED

Printed in Japan

CODE NO.	BOOKLET TYPE	13YB80E5
	MICRO-FICHE	13YB80EE/FE/GE
PARTS CATALOGUE NEWS	WT20XK1 WT20XK2 WT20XK3 WT30XK1 WT30XK2 WT30XK3	
	NEWS NO.	009

Block No.	Ref. No.	Note	Part No.	Description	Reqd. QTY						Serial No.	Parts catalogue code	
					WT 20X K1	WT 20X K2	WT 20X K3	WT 30X K1	WT 30X K2	WT 30X K3			
E-3	2		12000-ZH8-416	BARREL ASSY., CYLINDER (OIL ALERT)	-	1	-	-	-	-	7438283	8565637	
					-	-	1	-	-	-	-----	8565637	
	A	12000-ZH8-426	-	1	1	-	-	-	8565638			
	14		91202-883-005	OIL SEAL, 25X41X6	1	-	-	-	-	-			
					-	1	1	-	-	-	-----	8565637	
A	91201-ZOT-801	-	1	1	-	-	-	8565638				
E-6	1		11300-ZE1-633	COVER ASSY., CRANKCASE	-	1	-	-	-	-	-----	8565637	DE,UD
					-	1	-	-	-	-	3451229	8565637	C,D
					-	-	1	-	-	-	-----	8565637	
	A	11300-ZE1-634	-	1	1	-	-	-	8565638			
	9		91202-883-005	OIL SEAL, 25X41X6	1	-	-	-	-	-			
					-	1	1	-	-	-	-----	8565637	
A	91201-ZOT-801	-	1	1	-	-	-	8565638				

NOTE A:PART NO.CHANGE D:NEWLY PROVIDED E:PART NO.DELETION K:REQUIRED NO.CORRECTION L:APPLICATION SERIAL NO.CORRECTION
T:APPLICATION CORRECTION Z:REMARKS CHANGE



PARTS CATALOGUE NEWS

Honda Motor Co., Ltd. Service Division

PARTS CATALOGUE - CORRECTED

Printed in Japan

CODE NO.	BOOKLET TYPE	13YB80E5
	MICRO-FICHE	13YB80EE/FE/GE
PARTS CATALOGUE NEWS	WT20XK1 WT20XK2 WT20XK3 WT30XK1 WT30XK2 WT30XK3	
NEWS NO.	010	

Block No.	Ref. No.	Note	Part No.	Description	Reqd. QTY						Serial No.	Parts catalogue code	
					WT 20X K1	WT 20X K2	WT 20X K3	WT 30X K1	WT 30X K2	WT 30X K3			
E-17	4	L	17620-ZH7-023	CAP COMP., FUEL FILLER	-	1	-	-	-	-	-----	8542059	UD
					-	1	-	-	-	-	4705773	8542059	C,D,DE
					-	-	1	-	-	-	-----	8542059	
		D	17620-Z0T-814	-	1	1	-	-	-	8542060		
	6		17631-ZH7-003	PACKING, FUEL FILLER CAP	-	1	-	-	-	-	-----	8542059	DE,UD
					-	1	-	-	-	-	3063878	8542059	C,D
					-	-	1	-	-	-	-----	8542059	
		A	17631-Z0T-812	-	1	1	-	-	-	8542060		

NOTE A:PART NO.CHANGE D:NEWLY PROVIDED E:PART NO.DELETION K:REQUIRED NO.CORRECTION L:APPLICATION SERIAL NO.CORRECTION T:APPLICATION CORRECTION Z:REMARKS CHANGE



PARTS CATALOGUE NEWS

Honda Motor Co., Ltd. Service Division

PARTS CATALOGUE - CORRECTED

Printed in Japan

CODE NO.	BOOKLET TYPE	13YB80E5
	MICRO-FICHE	13YB80EE/FE/GE
PARTS CATALOGUE NEWS	WT20XK1 WT20XK2 WT20XK3 WT30XK1 WT30XK2 WT30XK3	
NEWS NO.	011	

Block No.	Ref. No.	Note	Part No.	Description	Reqd. QTY						Serial No.	Parts catalogue code
					WT 20X K1	WT 20X K2	WT 20X K3	WT 30X K1	WT 30X K2	WT 30X K3		
F-4	3		78145-YG0-000	MARK (WT20X)	-	-	1	-	-	-	----- 1001899	
		A	78145-YG0-010	-	-	1	-	-	-	1001900	

NOTE A:PART NO.CHANGE D:NEWLY PROVIDED E:PART NO.DELETION K:REQUIRED NO.CORRECTION L:APPLICATION SERIAL NO.CORRECTION
 T:APPLICATION CORRECTION Z:REMARKS CHANGE



PARTS CATALOGUE NEWS

Honda Motor Co., Ltd. Service Division

Printed in Japan

CODE NO.	BOOKLET TYPE	13YB80E5
	MICRO- FICHE	13YB80EE/FE/GE
PARTS CATALOGUE NEWS		WT20XK1 WT20XK2 WT20XK3 WT30XK1 WT30XK2 WT30XK3
NEWS NO.		012

These types have been added into model WT20XK3.

As for the parts not listed on this Parts Catalogue News, use the parts of base type.

Model	Type	Parts catalogue type		Applicable engine serial No.	Applicable frame serial No.
		Base type	Additional type		
WT20XK3	C	C	C/A	GC02-8670001~	WAAJ-1010001~
	D	D	D/A		
	DE	DE	DE/A		
	UD	UD	UD/A		

PARTS CATALOGUE NEWS

BOOKNo.:13YB80E5

Block No.	Ref. No.	Part No.	Description	Reqd. QTY						Base Part No.	Parts catalogue code
				WT 20X K1	WT 20X K2	WT 20X K3	WT 30X K1	WT 30X K2	WT 30X K3		
E-28	5	87522-ZH8-W41	MARK, CAUTION	-	-	1	-	-	-	87522-ZH8-W40	DE/A
	14	87135-ZE2-020	LABEL, E-SPEC	-	-	1	-	-	-	87135-ZE2-010	

NOTE A:PART NO.CHANGE D:NEWLY PROVIDED E:PART NO.DELETION K:REQUIRED NO.CORRECTION L:APPLICATION SERIAL NO.CORRECTION
T:APPLICATION CORRECTION Z:REMARKS CHANGE



PARTS CATALOGUE NEWS

Honda Motor Co., Ltd. Service Division

PARTS CATALOGUE - CORRECTED

Printed in Japan

CODE NO.	BOOKLET TYPE	13YB80E5
	MICRO-FICHE	13YB80EE/FE/GE
PARTS CATALOGUE NEWS	WT20X K1/K2/K3 WT30X K1/K2/K3	
NEWS NO.	013	

Block No.	Ref. No.	Note	Part No.	Description	Reqd. QTY						Serial No.	Parts catalogue code
					WT 20X K1	WT 20X K2	WT 20X K3	WT 30X K1	WT 30X K2	WT 30X K3		
E-17-1	4		17620-ZH7-023	CAP COMP., FUEL FILLER (BLACK)	-	-	-	-	1	1	-----	UD
					-	-	-	-	1	-	3608570	C,D,DE
					-	-	-	-	-	1	-----	C,D,DE
					-	-	-	-	-	1	4496435	C/A,D/A,DE/A,UD/A
	A		17620-Z0T-814	CAP COMP., FUEL FILLER (CHROME PLATED)	-	-	-	-	-	1	4496436	C/A,D/A,DE/A,UD/A
	6		17631-ZH7-003	PACKING, FUEL FILLER CAP (39X58X3)	-	-	-	-	1	1	-----	DE,UD
					-	-	-	-	1	-	3254424	C,D
					-	-	-	-	-	1	-----	C,D
					-	-	-	-	-	1	4496435	C/A,D/A,DE/A,UD/A
	A		17631-Z0T-812	PACKING, FUEL FILLER CAP (39X62X3)	-	-	-	-	-	1	4496436	C/A,D/A,DE/A,UD/A

NOTE A:PART NO.CHANGE D:NEWLY PROVIDED E:PART NO.DELETION K:REQUIRED NO.CORRECTION L:APPLICATION SERIAL NO.CORRECTION
T:APPLICATION CORRECTION Z:REMARKS CHANGE



PARTS CATALOGUE NEWS

Honda Motor Co., Ltd. Service Division

PARTS CATALOGUE - CORRECTED

Printed in Japan

CODE NO.	BOOKLET TYPE	13YB80E5
	MICRO-FICHE	13YB80EE/FE/GE
PARTS CATALOGUE NEWS	WT20X K1/K2/K3 WT30X K1/K2/K3	
NEWS NO.	014	

Block No.	Ref. No.	Note	Part No.	Description	Reqd. QTY						Serial No.	Parts catalogue code		
					WT 20X K1	WT 20X K2	WT 20X K3	WT 30X K1	WT 30X K2	WT 30X K3				
E-11-3	1		28400-ZE2-W01ZA	STARTER ASSY., RECOIL	-	-	-	-	1	-	-	-	C, D, DE, UD	
				R8.....BRIGHT RED	-	-	-	-	-	1	-----	-----	4466411	C/A, D/A, DE/A, UD/A
	A	28400-ZE2-W01ZN	*R280*.....POWER RED	-	-	-	-	-	1	4466412	-----	C/A, D/A, DE/A, UD/A		
	2		28410-ZE2-W01ZA	CASE COMP., RECOIL STARTER	-	-	-	-	1	-	-	-	C, D, DE, UD	
				R8.....BRIGHT RED	-	-	-	-	-	1	-----	-----	4466411	C/A, D/A, DE/A, UD/A
				A	28410-ZE2-W01ZN	*R280*.....POWER RED	-	-	-	-	-	1	4466412	-----
E-12-1	3		19610-ZE2-010ZA	COVER COMP., FAN	-	-	-	-	1	1	-	-	DE, UD	
				R8.....BRIGHT RED	-	-	-	-	-	1	-----	-----	3139635	C, D
				-	-	-	-	-	1	-----	-----	-	C, D	
				-	-	-	-	-	1	-----	-----	4466411	C/A, D/A, DE/A, UD/A	

NOTE A:PART NO.CHANGE D:NEWLY PROVIDED E:PART NO.DELETION K:REQUIRED NO.CORRECTION L:APPLICATION SERIAL NO.CORRECTION
T:APPLICATION CORRECTION Z:REMARKS CHANGE

PARTS CATALOGUE NEWS

BOOKNo.:13YB80E5

Block No.	Ref. No.	Note	Part No.	Description	Reqd. QTY							Serial No.	Parts catalogue code
					WT 20X K1	WT 20X K2	WT 20X K3	WT 30X K1	WT 30X K2	WT 30X K3			
		A	19610-ZE2-010ZL	*R280*.....POWER RED	-	-	-	-	-	-	1	4466412 -----	C/A,D/A,DE/A,UD/A

NOTE A:PART NO.CHANGE D:NEWLY PROVIDED E:PART NO.DELETION K:REQUIRED NO.CORRECTION L:APPLICATION SERIAL NO.CORRECTION
T:APPLICATION CORRECTION Z:REMARKS CHANGE



PARTS CATALOGUE NEWS

Honda Motor Co., Ltd. Service Division

PARTS CATALOGUE - CORRECTED

Printed in Japan

CODE NO.	BOOKLET TYPE	13YB80E5
	MICRO- FICHE	13YB80EE/FE/GE
PARTS CATALOGUE NEWS	WT20X K1/K2/K3 WT30X K1/K2/K3	
NEWS NO.	015	

Block No.	Ref. No.	Note	Part No.	Description	Reqd. QTY						Serial No.	Parts catalogue code
					WT 20X K1	WT 20X K2	WT 20X K3	WT 30X K1	WT 30X K2	WT 30X K3		
E-28	3		87521-ZE2-W02	EMBLEM	-	-	-	-	-	1	-----	C,D,DE,UD
										1	----- 4465232	C/A,D/A,DE/A,UD/A
		A	87521-ZE2-W03	-	-	-	-	-	1	4465233 -----	C/A,D/A,DE/A,UD/A

NOTE A:PART NO.CHANGE D:NEWLY PROVIDED E:PART NO.DELETION K:REQUIRED NO.CORRECTION L:APPLICATION SERIAL NO.CORRECTION
T:APPLICATION CORRECTION Z:REMARKS CHANGE



PARTS CATALOGUE NEWS

Honda Motor Co., Ltd. Service Division

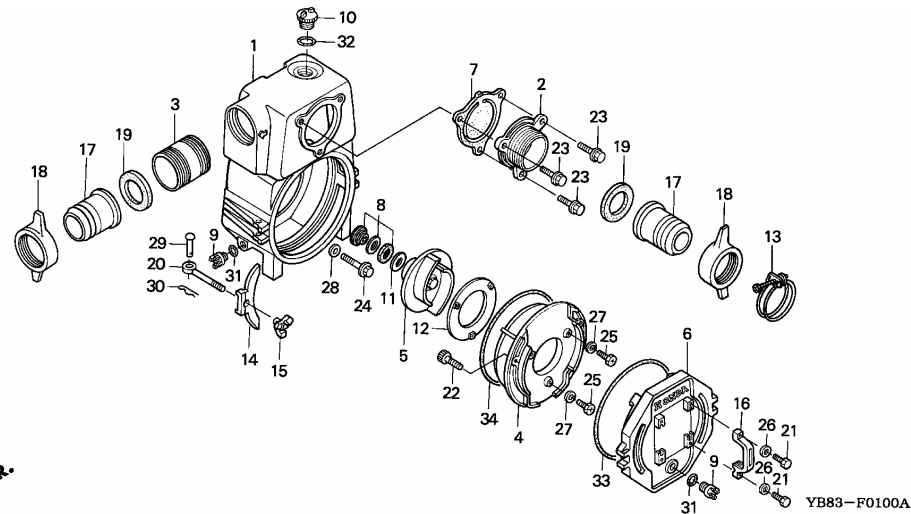
PARTS CATALOGUE - CORRECTED

Printed in Japan

CODE NO.	BOOKLET TYPE	13YB80E5
	MICRO-FICHE	13YB80EE/FE/GE
PARTS CATALOGUE NEWS	WT20XK1/K2/K3 WT30XK1/K2/K3	
NEWS NO.	016	

Block No.	Ref. No.	Note	Part No.	Description	Reqd. QTY						Serial No.	Parts catalogue code
					WT 20X K1	WT 20X K2	WT 20X K3	WT 30X K1	WT 30X K2	WT 30X K3		

F-1 CASING (WT20XK1/K2/WT30XK1/K2)



F-1	24	T	90105-YB8-003	BOLT, FLANGE (8X50)	4	4	-	4	4	-
-----	----	---	---------------	---------------------	---	---	---	---	---	---

NOTE A:PART NO.CHANGE D:NEWLY PROVIDED E:PART NO.DELETION K:REQUIRED NO.CORRECTION L:APPLICATION SERIAL NO.CORRECTION
T:APPLICATION CORRECTION Z:REMARKS CHANGE

PARTS CATALOGUE NEWS

BOOKNo.:13YB80E5

Block No.	Ref. No.	Note	Part No.	Description	Reqd.QTY						Serial No.	Parts catalogue code
					WT 20X K1	WT 20X K2	WT 20X K3	WT 30X K1	WT 30X K2	WT 30X K3		
		E	90106-YB8-003	*PARTS NO. DELETION								
	25	K	90106-YB8-003	BOLT (6X16)	3	-	-	3	2	-		
					-	2	-	-	-	-	-----	C
					-	2	-	-	-	-	-----	D,DE

NOTE A:PART NO.CHANGE D:NEWLY PROVIDED E:PART NO.DELETION K:REQUIRED NO.CORRECTION L:APPLICATION SERIAL NO.CORRECTION
T:APPLICATION CORRECTION Z:REMARKS CHANGE



PARTS CATALOGUE NEWS

Honda Motor Co., Ltd. Service Division

PARTS CATALOGUE - CORRECTED

Printed in Japan

CODE NO.	BOOKLET TYPE	13YB80E5
	MICRO- FICHE	13YB80EE/FE/GE
PARTS CATALOGUE NEWS	WT20XK1/K2/K3 WT30XK1/K2/K3	
NEWS NO.	017	

Block No.	Ref. No.	Note	Part No.	Description	Reqd. QTY						Serial No.	Parts catalogue code
					WT 20X K1	WT 20X K2	WT 20X K3	WT 30X K1	WT 30X K2	WT 30X K3		
E-28	7		87528-733-E90	MARK, CHOKE (H=36)	-	1	1	-	-	-	-----	DE
						-	-	1	-	-	-----	8759179 DE/A
		A	87528-733-E91	MARK, CHOKE (H=34)	-	-	1	-	-	-	8759180	----- DE/A

NOTE A:PART NO.CHANGE D:NEWLY PROVIDED E:PART NO.DELETION K:REQUIRED NO.CORRECTION L:APPLICATION SERIAL NO.CORRECTION
T:APPLICATION CORRECTION Z:REMARKS CHANGE



PARTS CATALOGUE NEWS

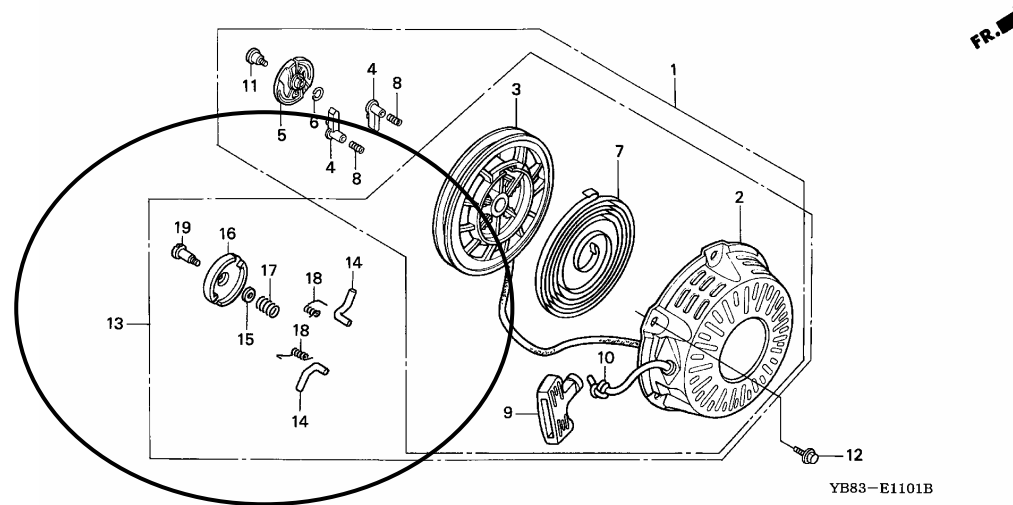
Honda Motor Co., Ltd. Service Division

PARTS CATALOGUE - CORRECTED

Printed in Japan

CODE NO.	BOOKLET TYPE	13YB80E5
	MICRO-FICHE	13YB80EE/FE/GE
PARTS CATALOGUE NEWS	WT20XK1/K2/K3 WT30XK1/K2/K3	
NEWS NO.	018	

Block No.	Ref. No.	Note	Part No.	Description	Reqd. QTY						Serial No.	Parts catalogue code
					WT 20X K1	WT 20X K2	WT 20X K3	WT 30X K1	WT 30X K2	WT 30X K3		
E-11-1				RECOIL STARTER (WT20XK2/K3)								



NOTE A:PART NO.CHANGE D:NEWLY PROVIDED E:PART NO.DELETION K:REQUIRED NO.CORRECTION L:APPLICATION SERIAL NO.CORRECTION
T:APPLICATION CORRECTION Z:REMARKS CHANGE

PARTS CATALOGUE NEWS

BOOKNo.:13YB80E5

Block No.	Ref. No.	Note	Part No.	Description	Reqd.QTY						Serial No.	Parts catalogue code				
					WT 20X K1	WT 20X K2	WT 20X K3	WT 30X K1	WT 30X K2	WT 30X K3						
E-11-1	1	L	28400-ZH8-013YA	STARTER ASSY., RECOIL												
				R280.....POWER RED	-	1	1	-	-	-	8367037	-----	C,D,UD			
					-	-	1	-	-	-	8367037	-----	DE			
	3			28420-ZH8-013	REEL, RECOIL STARTER (NATURAL)	-	1	1	-	-	-	-----	-----	DE,UD		
						-	1	-	-	-	-	2471578	-----	C,D		
						-	-	1	-	-	-	-----	-----	C,D		
						-	-	1	-	-	-	-----	8805657	C/A,D/A,DE/A,UD/A		
					A	28421-ZH8-801	REEL, RECOIL STARTER	-	-	1	-	-	-	8805658	-----	C/A,D/A,DE/A,UD/A
					4	L	28422-ZH8-013	RATCHET, STARTER	-	2	2	-	-	-	-----	-----
		-	2	-				-	-	-	2438253	-----	C,D			
		-	-	2				-	-	-	-----	-----	C,D			
5	L	28433-ZH8-003	GUIDE, RATCHET	-	1	-	-	-	-	-----	-----	C,D,DE,UD				
				-	-	1	-	-	-	-----	-----	8805657	C/A,D/A,DE/A,UD/A			
				-	-	1	-	-	-	-----	-----	C,D,DE,UD				
6	L	28441-ZH8-003	SPRING, FRICTION	-	1	-	-	-	-	-----	-----	C,D,DE,UD				
				-	-	1	-	-	-	-----	-----	8805657	C/A,D/A,DE/A,UD/A			
				-	-	1	-	-	-	-----	-----	C,D,DE,UD				
8	L	28443-ZH8-003	SPRING, RETURN	-	2	-	-	-	-	-----	-----	C,D,DE,UD				
				-	-	2	-	-	-	-----	-----	8805657	C/A,D/A,DE/A,UD/A			
				-	-	2	-	-	-	-----	-----	C,D,DE,UD				
11	L	90003-ZH8-003	SCREW, SETTING	-	1	-	-	-	-	-----	-----	C,D,DE,UD				
				-	-	1	-	-	-	-----	-----	8805657	C/A,D/A,DE/A,UD/A			
				-	-	1	-	-	-	-----	-----	C,D,DE,UD				

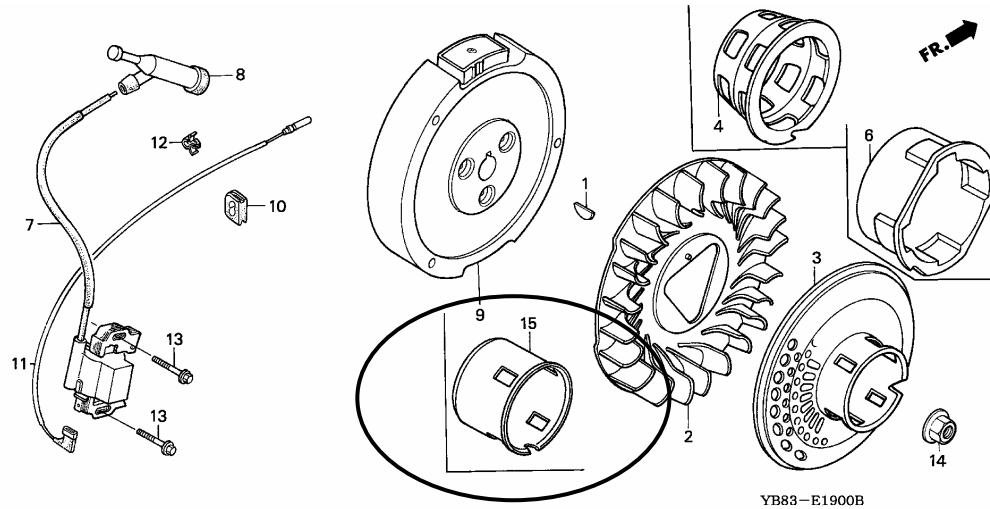
NOTE A:PART NO.CHANGE D:NEWLY PROVIDED E:PART NO.DELETION K:REQUIRED NO.CORRECTION L:APPLICATION SERIAL NO.CORRECTION
T:APPLICATION CORRECTION Z:REMARKS CHANGE

PARTS CATALOGUE NEWS

BOOKNo.:13YB80E5

Block No.	Ref. No.	Note	Part No.	Description	Reqd.QTY						Serial No.	Parts catalogue code
					WT 20X K1	WT 20X K2	WT 20X K3	WT 30X K1	WT 30X K2	WT 30X K3		
	13	D	28400-ZH8-023YA	STARTER ASSY., RECOIL *R280*.....POWER RED	-	-	1	-	-	-	8805658	----- C/A,D/A,DE/A,UD/A
	14	D	28422-ZH8-801	RATCHET, STARTER	-	-	2	-	-	-	8805658	----- C/A,D/A,DE/A,UD/A
	15	D	28431-ZH8-801	PLATE, FRICTION	-	-	1	-	-	-	8805658	----- C/A,D/A,DE/A,UD/A
	16	D	28433-ZH8-801	GUIDE, RATCHET	-	-	1	-	-	-	8805658	----- C/A,D/A,DE/A,UD/A
	17	D	28441-ZH8-801	SPRING, FRICTION	-	-	1	-	-	-	8805658	----- C/A,D/A,DE/A,UD/A
	18	D	28443-ZH8-801	SPRING, RETURN	-	-	2	-	-	-	8805658	----- C/A,D/A,DE/A,UD/A
	19	D	90003-ZH8-801	SCREW, SETTING	-	-	1	-	-	-	8805658	----- C/A,D/A,DE/A,UD/A

E-19 FLYWHEEL/IGNITION COIL



E-19	6	L	28451-ZH8-003	PULLEY, STARTER	-	1	-	-	-	-	-----	C,D,DE,UD
					-	-	1	-	-	-	----- 8805657	C/A,D/A,DE/A,UD/A
	15	D	28451-ZH8-801	PULLEY, STARTER	-	-	1	-	-	-	8805658	----- C/A,D/A,DE/A,UD/A

NOTE A:PART NO.CHANGE D:NEWLY PROVIDED E:PART NO.DELETION K:REQUIRED NO.CORRECTION L:APPLICATION SERIAL NO.CORRECTION
T:APPLICATION CORRECTION Z:REMARKS CHANGE



PARTS CATALOGUE NEWS

Honda Motor Co., Ltd. Service Division

PARTS CATALOGUE - CORRECTED

Printed in Japan

CODE NO.	BOOKLET TYPE	13YB80E5
	MICRO- FICHE	13YB80EE/FE/GE
PARTS CATALOGUE NEWS	WT20XK1/K2/K3 WT30XK1/K2/K3	
NEWS NO.	019	

Block No.	Ref. No.	Note	Part No.	Description	Reqd. QTY						Serial No.	Parts catalogue code
					WT 20X K1	WT 20X K2	WT 20X K3	WT 30X K1	WT 30X K2	WT 30X K3		
E-28	5	L	87522-ZH8-W40	MARK, CAUTION	-	1	1	-	1	1	-----	DE
					-	-	-	-	-	1	----- 4528690	DE/A
		T	87522-ZH8-W41	-	-	1	-	-	-	-----	DE/A
					-	-	-	-	-	1	4528691 -----	DE/A

NOTE A:PART NO.CHANGE D:NEWLY PROVIDED E:PART NO.DELETION K:REQUIRED NO.CORRECTION L:APPLICATION SERIAL NO.CORRECTION
T:APPLICATION CORRECTION Z:REMARKS CHANGE



PARTS CATALOGUE NEWS

Honda Motor Co., Ltd. Service Division

PARTS CATALOGUE - CORRECTED

Printed in Japan

CODE NO.	BOOKLET TYPE	13YB80E5
	MICRO- FICHE	13YB80EE/FE/GE
PARTS CATALOGUE NEWS	WT20XK1/K2/K3 WT30XK1/K2/K3	
NEWS NO.	020	

Block No.	Ref. No.	Note	Part No.	Description	Reqd. QTY						Serial No.	Parts catalogue code	
					WT 20X K1	WT 20X K2	WT 20X K3	WT 30X K1	WT 30X K2	WT 30X K3			
E-14	6	L	16016-ZE0-005	SCREW SET, PILOT	1	-	-	-	1	-			
				(CARBURETOR NO.)	-	1	-	-	-	-	-----	BE06H C	
					-	-	-	-	1		-----		C, D, DE, UD
				(CARBURETOR NO.)	-	-	-	-	1	-----	BE15G B	C/A, D/A, DE/A, UD/A	
	30	T	16016-ZH7-W01	SCREW SET, PILOT (CARBURETOR NO.)	-	1	-	-	-	-	BE66D B		
				(CARBURETOR NO.)	-	-	1	-	-	-			
				(CARBURETOR NO.)	-	-	-	-	1		BE15G C	----- C/A, D/A, DE/A, UD/A	

NOTE A:PART NO. CHANGE D:NEWLY PROVIDED E:PART NO. DELETION K:REQUIRED NO. CORRECTION L:APPLICATION SERIAL NO. CORRECTION
T:APPLICATION CORRECTION Z:REMARKS CHANGE



PARTS CATALOGUE NEWS

Honda Motor Co., Ltd. Service Division

PARTS CATALOGUE - CORRECTED

Printed in Japan

CODE NO.	BOOKLET TYPE	13YB80E5
	MICRO- FICHE	13YB80EE/FE/GE
PARTS CATALOGUE NEWS	WT20XK1/K2/K3 WT30XK1/K2/K3	
NEWS NO.	021	

Block No.	Ref. No.	Note	Part No.	Description	Reqd. QTY						Serial No.	Parts catalogue code	
					WT 20X K1	WT 20X K2	WT 20X K3	WT 30X K1	WT 30X K2	WT 30X K3			
E-2-1	1	T	12000-ZH9-000	HEAD COMP., CYLINDER	-	-	-	-	1	-			
		D	12200-ZH9-405	-	-	-	-	-	1	-----	C/A, D/A, DE/A, UD/A	
	4	K	12216-ZE2-300	CLIP, VALVE GUIDE	-	-	-	2	1	1			
E-14	10		16100-ZE2-W31	CARBURETOR ASSY. (BE15G B) ...	-	-	-	-	1	1	-----	UD	
					-	-	-	-	1	-	3453256	-----	C, D, DE
					-	-	-	-	-	1	-----	4659958	C/A, D/A, DE/A, UD/A
		A	16100-ZE2-W32	CARBURETOR ASSY. (BE15G C) ...	-	-	-	-	-	1	4659959	-----	C/A, D/A, DE/A, UD/A
E-19	4	E	28451-ZE2-W01	*PARTS NO. DELETION									
F-1-1	23	T	90105-YG0-003	BOLT-WASHER, 8X22	-	-	4	-	-	4			

NOTE A:PART NO. CHANGE D:NEWLY PROVIDED E:PART NO. DELETION K:REQUIRED NO. CORRECTION L:APPLICATION SERIAL NO. CORRECTION
T:APPLICATION CORRECTION Z:REMARKS CHANGE



PARTS CATALOGUE NEWS

Honda Motor Co., Ltd. Service Division

Printed in Japan

CODE NO.	BOOKLET TYPE	13YB80E5
	MICRO- FICHE	13YB80EE/FE/GE
PARTS CATALOGUE NEWS	WT20XK1/K2/K3 WT30XK1/K2/K3	
NEWS NO.	022	

Change notice of engine on WT30XK3-C TYPE

Notice: This Parts Catalogue News shows New WT30XK3-C/B type by mounting engine change.

As for the parts not listed on this Parts Catalogue News, use the parts of the WT30XK3-C/A type.

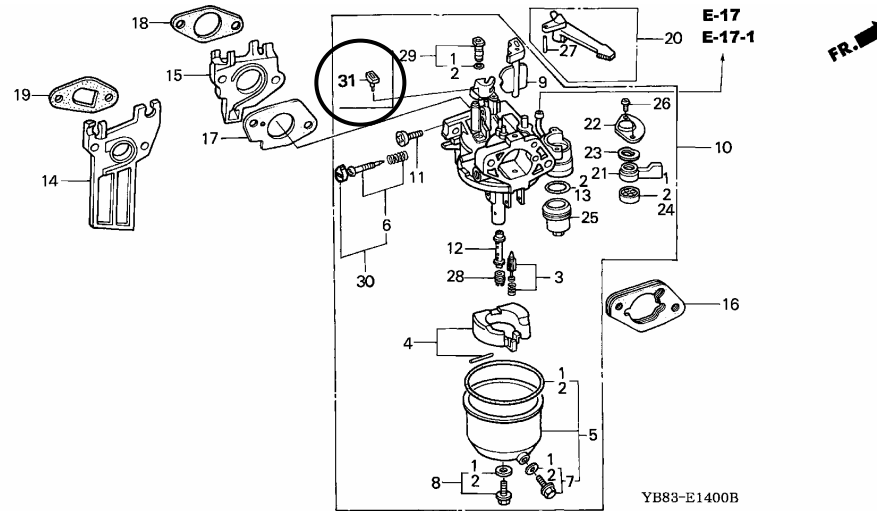
Model	Type	Parts catalogue type		Applicable engine serial No.	Applicable frame serial No.
		Base model	Additional model		
WT30XK3	C	C/A	C/B	GC04-4400001~	WABJ-1108570~

PARTS CATALOGUE NEWS

BOOKNo. : 13YB80E5

Block No.	Ref. No.	Part No.	Description	Reqd. QTY						Base Part No.	Parts catalogue code
				WT 20X K1	WT 20X K2	WT 20X K3	WT 30X K1	WT 30X K2	WT 30X K3		
E-2-1	1		HEAD COMP., CYLINDER	-	-	-	-	-	0	12200-ZH9-000	
E-3-1	1	12000-ZE2-406	BARREL ASSY., CYLINDER (ALERT)	-	-	-	-	-	1	12000-ZE2-815	
E-6-1	13		CAP, OIL FILLER	-	-	-	-	-	0	15620-735-003	
E-9	1	14100-ZE2-W01	CAMSHAFT ASSY.	-	-	-	-	-	1	14100-ZH9-010	

E-14 CARBURETOR



E-14	7	16024-ZE1-811	SCREW SET, DRAIN	-	-	-	-	-	1		
	10	16100-ZE2-W71	CARBURETOR ASSY. (BE70B B) ...	-	-	-	-	-	1	16100-ZE2-W32	
	12	16166-ZE2-W70	NOZZLE, MAIN	-	-	-	-	-	1	16166-ZE2-015	
	28		JET, MAIN, #80	-	-	-	-	-	(0)	99101-ZH8-0800	
		99101-ZH8-0850	JET, MAIN, #85	-	-	-	-	-	(1)	99101-ZH8-0850	
		99101-ZH8-0880	JET, MAIN, #88	-	-	-	-	-	1		
	29	99204-ZE0-0400	JET SET, PILOT, #40	-	-	-	-	-	1	99204-ZE2-0380	
	30	16016-ZH7-W01	SCREW SET, PILOT	-	-	-	-	-	1	16016-ZH7-W01	

NOTE A:PART NO. CHANGE D:NEWLY PROVIDED E:PART NO.DELETION K:REQUIRED NO. CORRECTION L:APPLICATION SERIAL NO. CORRECTION
T:APPLICATION CORRECTION Z:REMARKS CHANGE

PARTS CATALOGUE NEWS

BOOKNo. : 13YB80E5

Block No.	Ref. No.	Part No.	Description	Reqd. QTY						Base Part No.	Parts catalogue code
				WT 20X K1	WT 20X K2	WT 20X K3	WT 30X K1	WT 30X K2	WT 30X K3		
	31	16172-ZE3-W10	COLLAR, SETTING	-	-	-	-	-	-	1	
E-17-1	3	17510-ZE2-020ZA	TANK COMP., FUEL *NH31*.....MCKINLEY WHITE	-	-	-	-	-	-	1	
	4	17620-Z0T-305	CAP COMP., FUEL FILLER	-	-	-	-	-	-	1	17620-Z0T-814
E-28	14		LABEL, E-SPEC (15.5X27.5)	-	-	-	-	-	-	0	87135-ZE2-020
F-1-1	23	90102-YG0-003	BOLT-WASHER, 10X30	-	-	-	-	-	-	4	90105-YG0-003

NOTE A:PART NO. CHANGE D:NEWLY PROVIDED E:PART NO.DELETION K:REQUIRED NO. CORRECTION L:APPLICATION SERIAL NO. CORRECTION
T:APPLICATION CORRECTION Z:REMARKS CHANGE



PARTS CATALOGUE NEWS

Honda Motor Co., Ltd. Service Division

PARTS CATALOGUE - CORRECTED

Printed in Japan

CODE NO.	BOOKLET TYPE	13YB80E5
	MICRO- FICHE	13YB80EE/FE/GE
PARTS CATALOGUE NEWS	WT20XK1/K2/K3 WT30XK1/K2/K3	
NEWS NO.	023	

Block No.	Ref. No.	Note	Part No.	Description	Reqd. QTY						Serial No.	Parts catalogue code
					WT 20X K1	WT 20X K2	WT 20X K3	WT 30X K1	WT 30X K2	WT 30X K3		
E-17	4	E	17620-Z0T-814	*PARTS NO. DELETION								
		D	17620-Z0T-305	CAP COMP., FUEL FILLER	-	1	-	-	-	-	8542060	
					-	-	1	-	-	-	-----	C/A, D/A, DE/A, UD/A
					-	-	1	-	-	-	8542060	----- C, D, DE, UD

NOTE A:PART NO. CHANGE D:NEWLY PROVIDED E:PART NO. DELETION K:REQUIRED NO. CORRECTION L:APPLICATION SERIAL NO. CORRECTION
T:APPLICATION CORRECTION Z:REMARKS CHANGE



PARTS CATALOGUE NEWS

Honda Motor Co., Ltd. Service Division

PARTS CATALOGUE - CORRECTED

Printed in Japan

CODE NO.	BOOKLET TYPE	13YB80E5
	MICRO- FICHE	13YB80EE/FE/GE
PARTS CATALOGUE NEWS	WT20XK1/K2/K3 WT30XK1/K2/K3	
NEWS NO.	024	

Block No.	Ref. No.	Note	Part No.	Description	Reqd. QTY						Serial No.	Parts catalogue code
					WT 20X K1	WT 20X K2	WT 20X K3	WT 30X K1	WT 30X K2	WT 30X K3		
E-2-1	1	T	12200-ZH9-000	HEAD COMP., CYLINDER	-	-	-	-	-	1	-----	C, D, DE, UD
			12200-ZH9-405	-	-	-	-	1	-	-----	C/A, C/B, D/A, DE/A, UD/A
					-	-	-	-	-	1	-----	
E-3-1	1	T	12000-ZE2-815	BARREL ASSY., CYLINDER (ALERT)	-	-	-	-	-	1	-----	C, D, DE, UD
			12000-ZE2-406	-	-	-	-	1	-	4081305	
					-	-	-	-	-	1	-----	C/A, C/B, D/A, DE/A, UD/A

NOTE A:PART NO. CHANGE D:NEWLY PROVIDED E:PART NO.DELETION K:REQUIRED NO. CORRECTION L:APPLICATION SERIAL NO. CORRECTION
T:APPLICATION CORRECTION Z:REMARKS CHANGE



PARTS CATALOGUE NEWS

Honda Motor Co., Ltd. Service Division

PARTS CATALOGUE - CORRECTED

Printed in Japan

CODE NO.	BOOKLET TYPE	13YB80E5
	MICRO- FICHE	13YB80EE/FE/GE
PARTS CATALOGUE NEWS	WT20XK1/K2/K3 WT30XK1/K2/K3	
NEWS NO.	025	

Block No.	Ref. No.	Note	Part No.	Description	Reqd. QTY						Serial No.	Parts catalogue code
					WT 20X K1	WT 20X K2	WT 20X K3	WT 30X K1	WT 30X K2	WT 30X K3		
E-28	14	L	87135-ZE2-020	LABEL, E-SPEC (15.5X27.5)	-	-	1	-	-	1	-----	C/A, D/A, UD/A
					-	-	1	-	-	-	-----	DE/A
					-	-	-	-	-	1	----- 4660733	DE/A

NOTE A:PART NO. CHANGE D:NEWLY PROVIDED E:PART NO. DELETION K:REQUIRED NO. CORRECTION L:APPLICATION SERIAL NO. CORRECTION
T:APPLICATION CORRECTION Z:REMARKS CHANGE

September 27, 2004



PARTS CATALOGUE NEWS

Honda Motor Co., Ltd. Service Division

Printed in Japan

CODE NO.	BOOKLET TYPE	13YB80E5
	MICRO- FICHE	13YB80EE/FE/GE
PARTS CATALOGUE NEWS	WT20XK1/K2/K3 WT30XK1/K2/K3	
NEWS NO.	026	

Change notice of engine on WT20XK3-C,D,DE,UD TYPES

NOTE: This Parts Catalogue News shows New WT20XK3-C/B,D/B,DE/B,UD/B types by mounting engine change.
As for the parts not listed on this Parts Catalogue News, use the parts of the WT20XK3-C/A,D/A,DE/A,UD/A types.

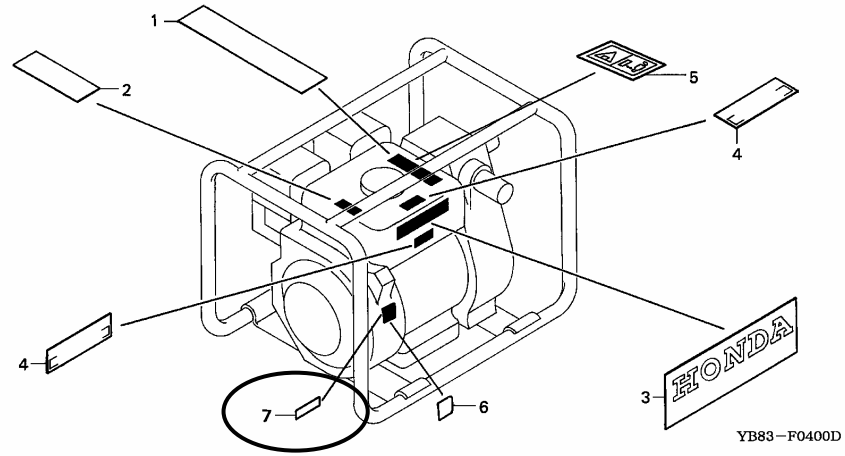
Model	Type		Parts catalogue type	Engine		Applicable engine serial No.	Applicable frame serial No.	Applicable carburetor identification No.
				Model	Type			
WT20XK3	C	Before change	C/A	GX160K1	AD4	GC02-8670001~9999999	WAAJ-1010001~1013491	BE66D B
		After change	C/B		AD5	GCAAK-1000001~	WAAJ-1013492~	
	D	Before change	D/A		AD4	GC02-8670001~9999999	WAAJ-1010001~1013491	
		After change	D/B			GCAAK-1000001~	WAAJ-1013492~	
	DE	Before change	DE/A		AD6	GC02-8670001~9999999	WAAJ-1010001~1013491	
		After change	DE/B			GCAAK-1000001~	WAAJ-1013492~	
	UD	Before change	UD/A		AD4	GC02-8670001~9999999	WAAJ-1010001~1013491	
		After change	UD/B			GCAAK-1000001~	WAAJ-1013492~	

PARTS CATALOGUE NEWS

BOOKNo. : 13YB80E5

Block No.	Ref. No.	Part No.	Description	Reqd. QTY						Base Part No.	Parts catalogue code
				WT 20X K1	WT 20X K2	WT 20X K3	WT 30X K1	WT 30X K2	WT 30X K3		
E-28	14		LABEL, E-SPEC (15.5X27.5)	-	-	0	-	-	-	87135-ZE2-020	C/B, DE/B

F-4 LABEL



F-4	7	87637-ZM3-800	MARK (C-TICK)	-	-	1	-	-	-	UD/B
-----	---	---------------	---------------------	---	---	---	---	---	---	------

NOTE A:PART NO. CHANGE D:NEWLY PROVIDED E:PART NO.DELETION K:REQUIRED NO. CORRECTION L:APPLICATION SERIAL NO. CORRECTION
T:APPLICATION CORRECTION Z:REMARKS CHANGE



PARTS CATALOGUE NEWS

Honda Motor Co., Ltd. Service Division

PARTS CATALOGUE - CORRECTED

Printed in Japan

CODE NO.	BOOKLET TYPE	13YB80E5
	MICRO-FICHE	13YB80EE/FE/GE
PARTS CATALOGUE NEWS	WT20XK1/K2/K3 WT30XK1/K2/K3	
NEWS NO.	027	

Block No.	Ref. No.	Note	Part No.	Description	Reqd. QTY							Serial No.	Parts catalogue code
					WT 20X K1	WT 20X K2	WT 20X K3	WT 30X K1	WT 30X K2	WT 30X K3			
E-6	5	E	15620-ZG4-003	*PARTS NO. DELETION									
E-6-1	7	K	15625-ZE1-003	PACKING, OIL FILLER CAP	-	-	-	-	2	-	-----	-----	DE, UD
					-	-	-	-	2	-	2901133	-----	C, D
					-	-	-	-	-	2			
	13	E	15620-735-003	*PARTS NO. DELETION									
E-17-1	4	E	17620-Z0T-814	*PARTS NO. DELETION									
					T	17620-Z0T-305	CAP COMP., FUEL FILLER (CHROME PLATED)	-	-	-	-	-	1
					-	-	-	-	-	1	4496436	-----	C/A, D/A, DE/A, UD/A

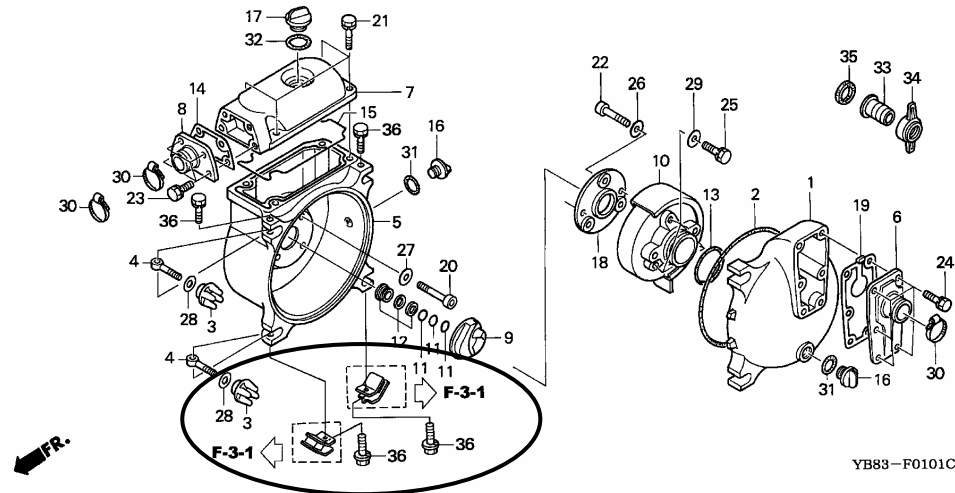
NOTE A:PART NO. CHANGE D:NEWLY PROVIDED E:PART NO. DELETION K:REQUIRED NO. CORRECTION L:APPLICATION SERIAL NO. CORRECTION
T:APPLICATION CORRECTION Z:REMARKS CHANGE

PARTS CATALOGUE NEWS

BOOKNo. : 13YB80E5

Block No.	Ref. No.	Note	Part No.	Description	Reqd. QTY						Serial No.	Parts catalogue code
					WT 20X K1	WT 20X K2	WT 20X K3	WT 30X K1	WT 30X K2	WT 30X K3		

F-1-1 CASING (WT20XK3/WT30XK3)



F-1-1	36	D	90103-YG0-003	BOLT-WASHER, 12X45	-	-	4	-	-	4		
-------	----	---	---------------	--------------------------	---	---	---	---	---	---	--	--

NOTE A:PART NO. CHANGE D:NEWLY PROVIDED E:PART NO.DELETION K:REQUIRED NO. CORRECTION L:APPLICATION SERIAL NO. CORRECTION
T:APPLICATION CORRECTION Z:REMARKS CHANGE

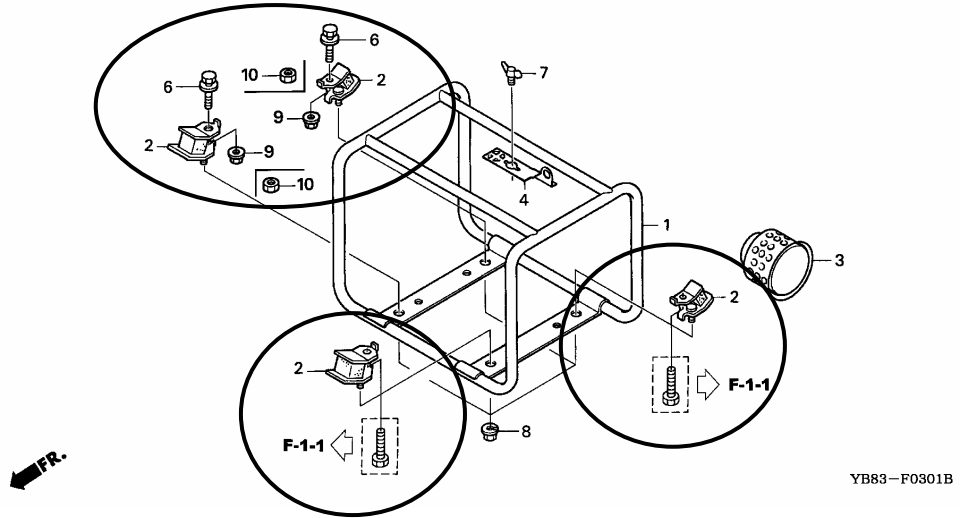
PARTS CATALOGUE NEWS

BOOKNo. : 13YB80E5

Block No.	Ref. No.	Note	Part No.	Description	Reqd. QTY						Serial No.	Parts catalogue code
					WT 20X K1	WT 20X K2	WT 20X K3	WT 30X K1	WT 30X K2	WT 30X K3		

F-3-1 FRAME (WT20XK3/WT30XK3)

· ILLUSTRATION-CORRECTED



F-3-1 5 E 90103-YG0-003 *PARTS NO. DELETION

NOTE A:PART NO. CHANGE D:NEWLY PROVIDED E:PART NO.DELETION K:REQUIRED NO. CORRECTION L:APPLICATION SERIAL NO. CORRECTION
T:APPLICATION CORRECTION Z:REMARKS CHANGE